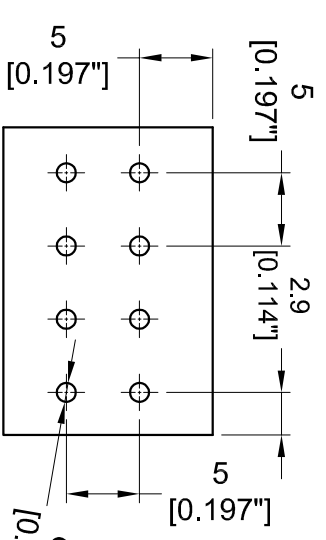
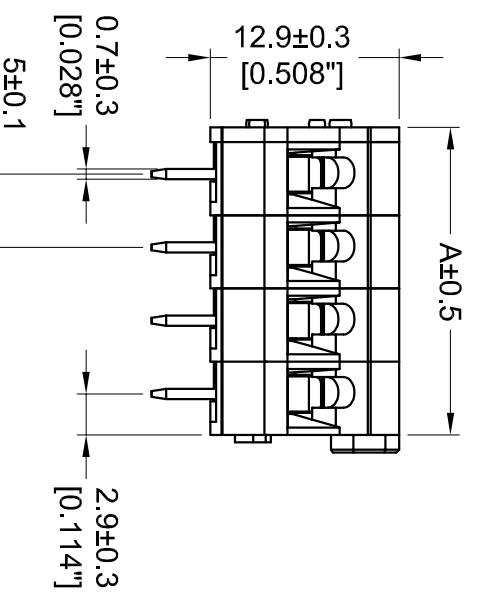
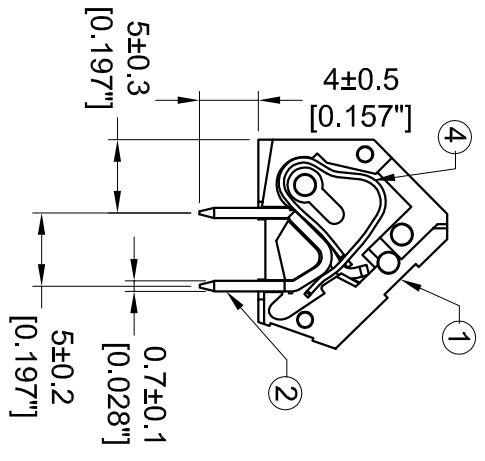
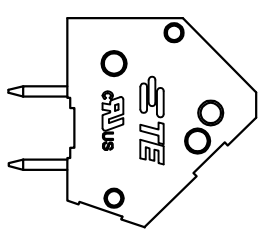
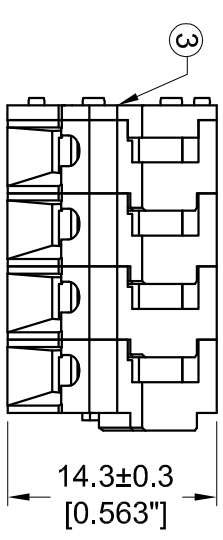
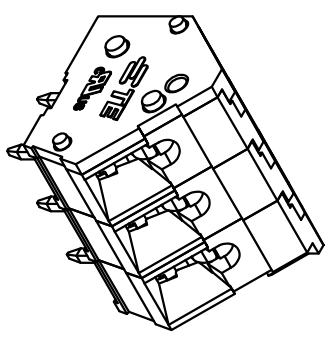


REV. NO.	DATE	BY	APP'D
1			

REV. NO.	DESCRIPTION	DATE	BY	APP'D
1				



PCB Layout



NO.	DESCRIPTION	PART NO.
④	SPRING	284078-7
③	COVER	284078-6
②	CONTACT	284078-5
①	HOUSING	284078-4

NO. OF POSN	PART NO.
4 POSN	284078-3
5 POSN	284078-4
6 POSN	284078-5
7 POSN	284078-6
8 POSN	284078-7

NOTES :

- △ MATERIALS AND FINISH:
 - HOUSING: PA66
 - CONTACTS: BRASS, FINISH: TIN OVER NICKEL UNDERPLATE
- 2. MUST COMPLY WITH DIRECTIVE 2002/95/EC (RoHS)
- 3. WIRE TYPES AND SIZES ACCEPTED
- WIRE RANGE: 14AWG~28AWG.
- STRIP LENGTH: 10mm
- 4. PACKAGED IN TRAY.
- 5. CURRENT RATING: 16amp AC300V.
- 6. OPERATION TEMPERATURE: -40°C TO +105°C
- 7. THIS PART NO. IS THE SAME STRUCTURE AS THE SERIES: 2834078
- THE DATASHEET AND MORE DETAILS PLEASE FOLLOW THE SERIES: 2834078

THIS DRAWING IS A CONTROLLED DOCUMENT

DESIGNER	CHKD	DATE
REVISED	REVISED	REVISED
DATE	DATE	DATE
BY	BY	BY
BY	BY	BY
BY	BY	BY
BY	BY	BY

PRODUCT CODE: 108-137146

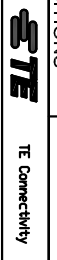
VERSION: 114-137146

SIZE: 5.00mm 45° Entry Screwless Connector

SCALE: 1:1

SHEET: 1 OF 1

REV: A



TE Connectivity