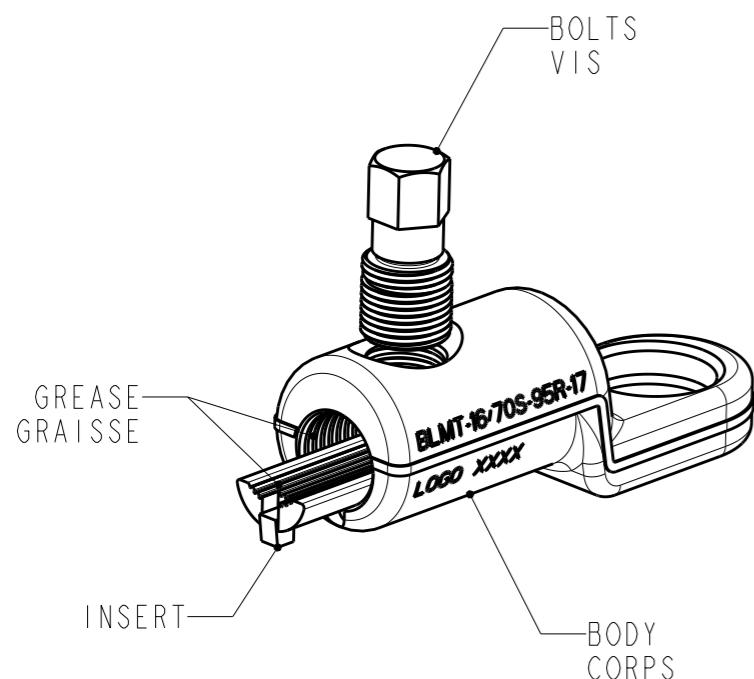
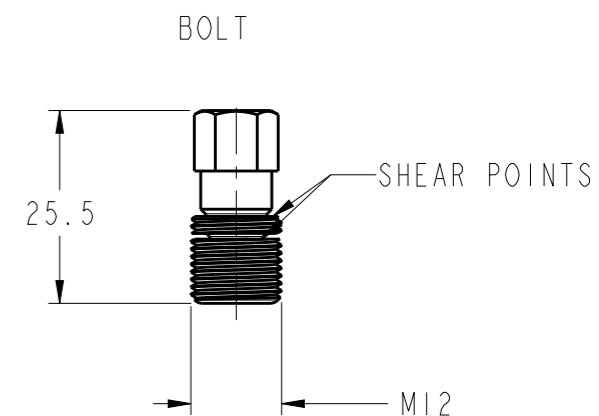
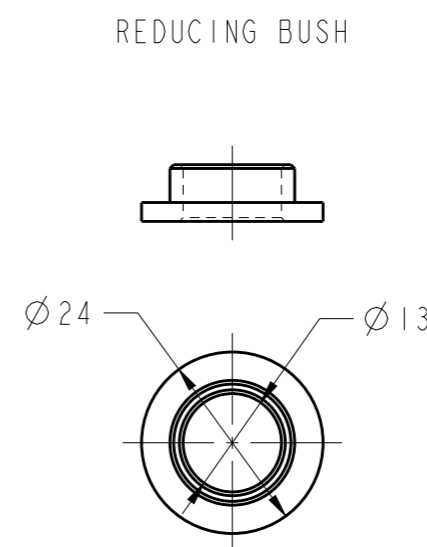
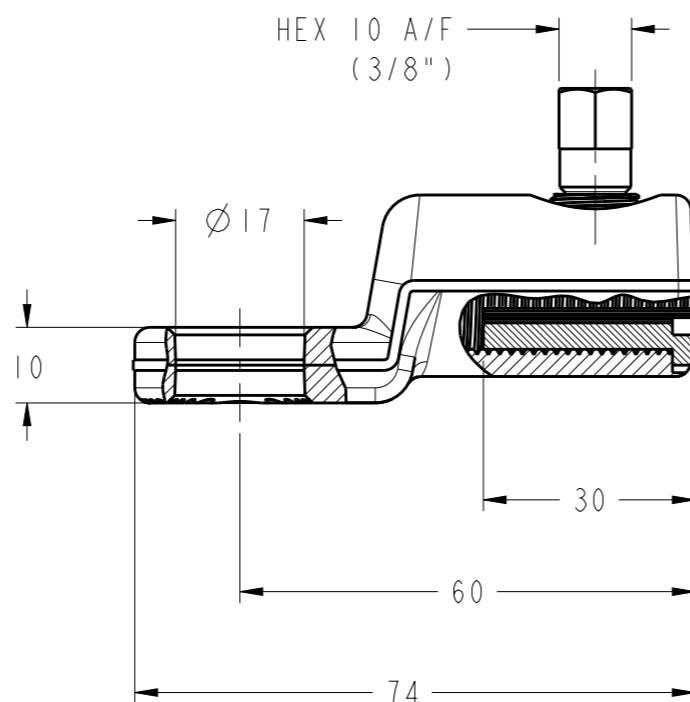
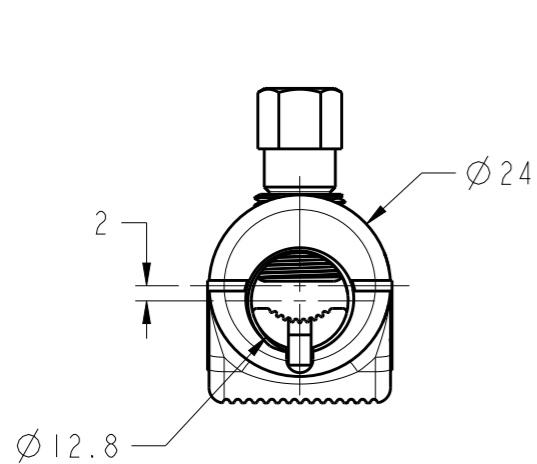


THIS DRAWING IS UNPUBLISHED. RELEASED FOR PUBLICATION 20
 © COPYRIGHT 20 BY - ALL RIGHTS RESERVED.

BLMT-16/70S-95R-13/17	2832291-1
DESCRIPTION	PART NUMBER

REVISIONS					
P	LTR	DESCRIPTION	DATE	DWN	APVD
	A	CREATION	06MAR2017	JB	BM
	B	HEX BOLT HEAD REDUCED PER ECR	07SEP2020	NB	BM



	AL				CU		
	ROUND STRANDED /Circ. câblé /RM	ROUND SOLID /Circ. massif /RE	SECTOR STRANDED /Sectoral câblé /SM	SECTOR SOLID /Sectoral massif /SE	ROUND STRANDED /Circ. câblé /RM	SECTOR STRANDED /Sectoral câblé /SM	ROUND FLEXIBLE
CONDUCTOR CROSS-SECTION /Section conducteur /Querschnittsbereich mm ²	25-95	16-95	25-70 (95 with rounding)	50-95	10-95	25-70	25-35 (70)
CONDUCTOR DIAMETER /Diamètre conducteur /Leiterdurchmesser mm	Ø 5.6-Ø 12.5	Ø 4.1-Ø 11	-	-	Ø 3.6-Ø 12.5	-	Ø 6.3-Ø 9.2 (25 ² -35 ²) Ø 11-Ø 12 (FOR 70 ²)

TOLERANCES UNLESS OTHERWISE SPECIFIED: -
 TOLERANCES NON SPECIFIEES: -

THIS DRAWING IS A CONTROLLED DOCUMENT.		DWN BERLAND 24-Sep-20	STE TE Connectivity		
DIMENSIONS: mm		CHK MILLOT			
TOLERANCES UNLESS OTHERWISE SPECIFIED: 0 PLC ±0.5 1 PLC ±0.5 2 PLC ±0.13 3 PLC ±0.013 4 PLC ±0.0001 ANGLES ±		APVD ALMEIDA	NAME BLMT-16/70S-95R-13/17		
MATERIAL ALU ALLOY		FINISH TINNED	PRODUCT SPEC -	APPLICATION SPEC -	WEIGHT 56g
			SIZE A3	CAGE CODE 00779	DRAWING NO C-2832291
			CUSTOMER DRAWING	SCALE 1:1	SHEET 1 OF 1 REV B