

THIS DRAWING IS UNPUBLISHED.
DIFFUSION RESTREINTE

RELEASED FOR PUBLICATION
LIBRE A LA DIFFUSION

2011

© COPYRIGHT 2011 BY -

ALL RIGHTS RESERVED.
TOUS DROITS RESERVES

REVISIONS

P	LTR REV	DESCRIPTION MODIFICATIONS	DATE	DWN DESS.	APVD APP.
	A	CREATION	03AUG2017	LP	NA

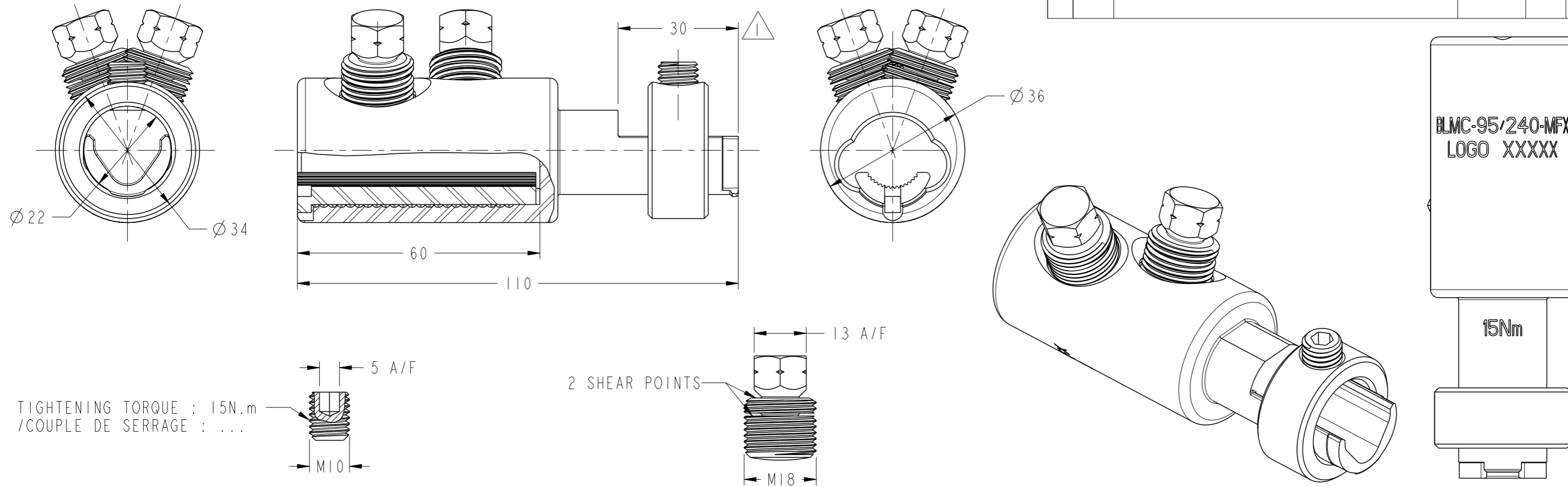
BLMC-95/240-MFX

2832277-1

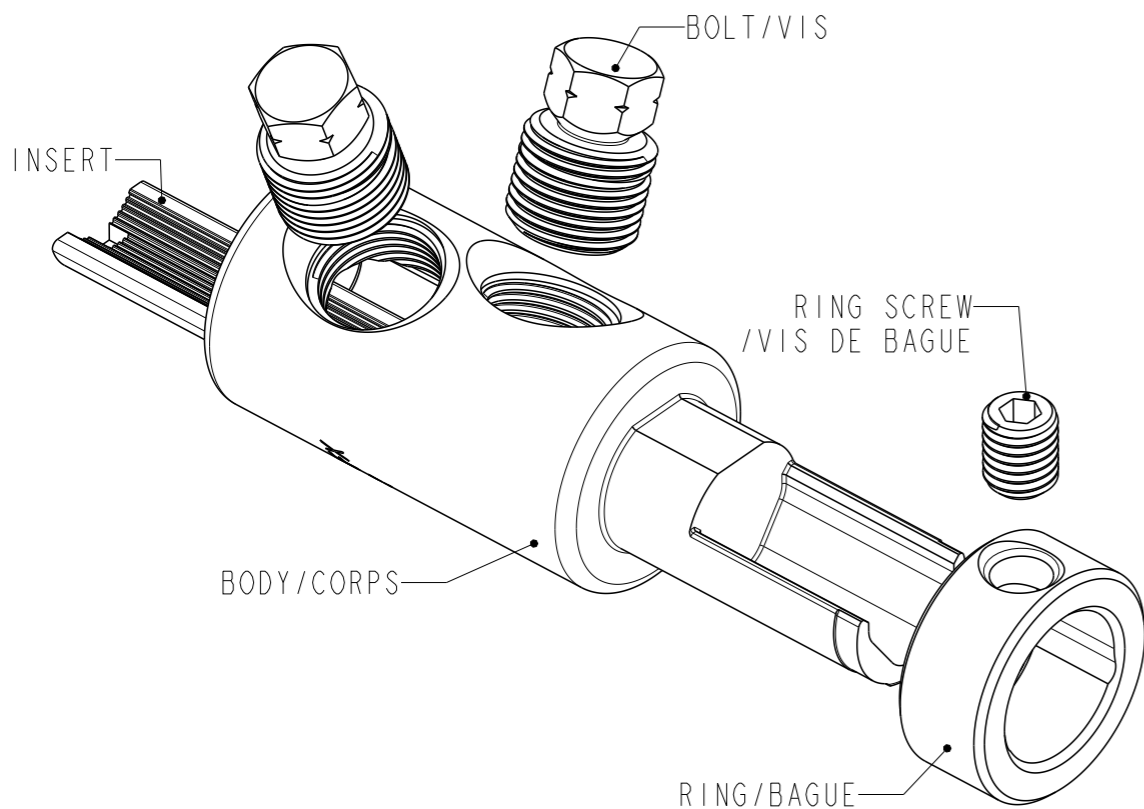
DESCRIPTION

PART NUMBER

⚠ - CONNECT ONLY WITH COPPER ROUND BAR : Ø12/14/16
 - CONNECTER SEULEMENT SUR UNE BARRE RONDE CUIVRE : ...



TIGHTENING TORQUE : 15N.m
/COUPLE DE SERRAGE : ...



	AL				CU	
	ROUND STRANDED /Circ. câblé /RM	ROUND SOLID /Circ. massif /RE	SECTOR STRANDED /Sectoral câblé /SM	SECTOR SOLID /Sectoral massif /SE	ROUND STRANDED /Circ. câblé /RM	SECTOR STRANDED /Sectoral câblé /SM
CONDUCTOR CROSS-SECTION /Section conducteur /Querschnittsbereich mm ²	95-240	95-240	95-240	95-240	95/240	95-240
CONDUCTOR DIAMETER /Diamètre conducteur /Leiterdurchmesser mm	Ø11-Ø19.2	Ø10.5-Ø18	-	-	11-19.2	-

TOLERANCES UNLESS OTHERWISE SPECIFIED
TOLERANCES NON SPECIFIEES: -

THIS DRAWING IS A CONTROLLED DOCUMENT. CE PLAN EST UN DOCUMENT CONTROLE PAR TYCO ELECTRONICS CORPORATION. IL EST SUSCEPTIBLE D'ETRE REVISE. POUR OBTENIR LA DERNIERE REVISION, CONTACTER LE SERVICE TECHNIQUE DE TYCO ELECTRONICS SIMEL SAS, 21220 GEVREY-CHAMBERTIN, FRANCE		DWN/DESSINE L. PETRIGNET 03AUG2017	TE Connectivity			
DIMENSIONS: mm		CHK/VERIFIE D. BARTA				
TOLERANCES UNLESS OTHERWISE SPECIFIED: TOLERANCES NON SPECIFIEES (SUIV NB DE DECIMALES): 0 PLC/DEC: ±0 1 PLC/DEC: ±0 2 PLC/DEC: ±0 3 PLC/DEC: ±0 4 PLC/DEC: ±0 ANGLES ±-		APVD/APPROUVE N. ALMEIDA	NAME/TITRE BLMC-95/240-MFX			
MATERIAL/MATIERE ALU ALLOY		PRODUCT SPEC SPEC. PRODUIT -	SIZE FORMAT A3	CAGE CODE -	DRAWING NO No PLAN C=2832277	RESTRICTED TO RESERVE A -
FINISH/FINITION TINNED		APPLICATION SPEC SPEC. APPLICATION IEC 61238-1	WEIGHT/MASSE APPROX. 218g	UNIQUEMENT POUR REFERENCE	SCALE/ECHELLE 1:1	SHEET FEUILLE OF DE REV A