

THIS DRAWING IS UNPUBLISHED.
DIFFUSION RESTREINTE

RELEASED FOR PUBLICATION
LIBRE A LA DIFFUSION

2011

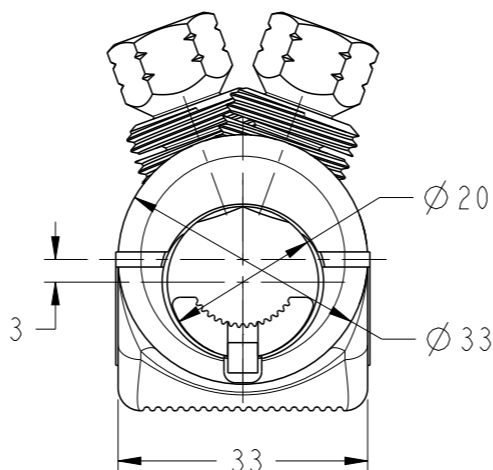
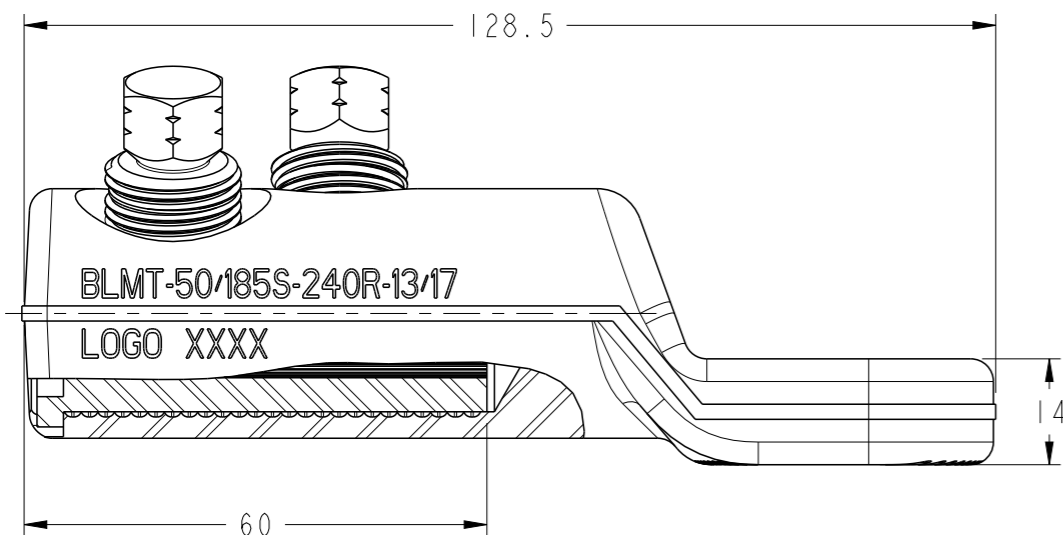
© COPYRIGHT 2011 BY -

ALL RIGHTS RESERVED.
TOUS DROITS RESERVES

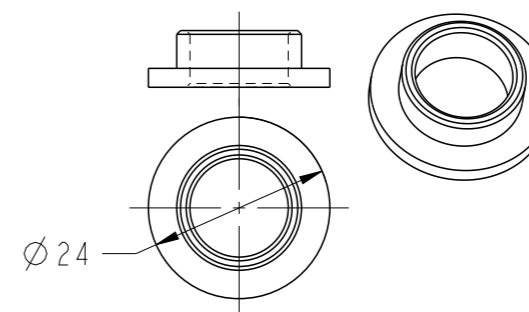
REVISIONS

P	LTR REV	DESCRIPTION MODIFICATIONS	DATE	DWN DESS.	APVD APP.
	I	CREATION	02FEB2017	BM	NA
	A	Mise à jour indice	18/10/2017	JB	AG
	B	UPDATE CABLE RANGE TAKING	22MAY2019	JB	BM

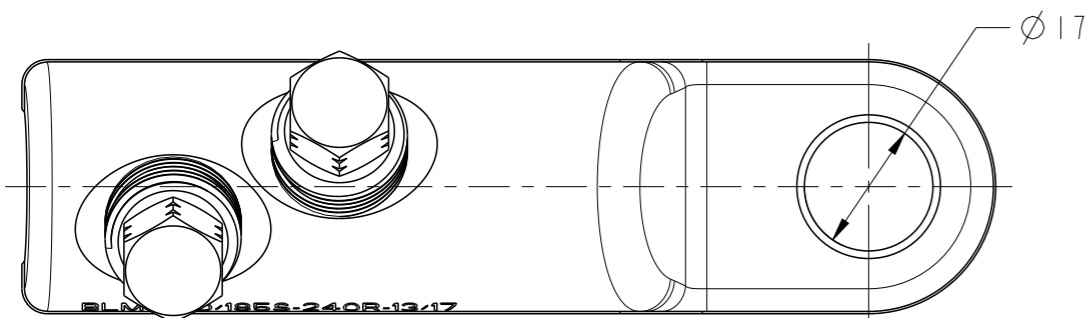
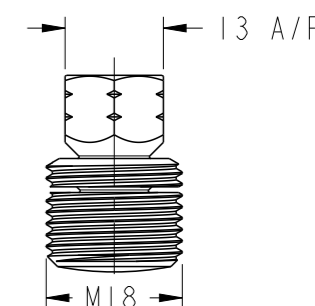
BLMT-50/185S-240R-13/17	2832269-1
DESCRIPTION	PART NUMBER



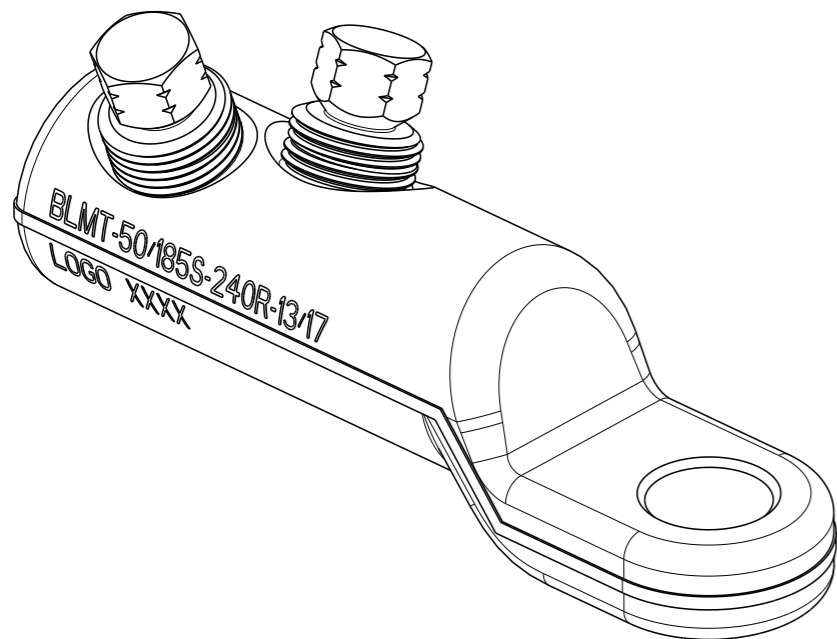
REDUCING BUSH




BOLT



	AL				CU		
	ROUND STRANDED /Circ. câblé /R2	ROUND SOLID /Circ. massif /R1	SECTOR STRANDED /Sectoral câblé /S2	SECTOR SOLID /Sectoral massif /S1	ROUND STRANDED /Circ. câblé /R2	SECTOR STRANDED /Sectoral câblé /S2	ROUND FLEXIBLE /Circ. souple/R5
CONDUCTOR CROSS-SECTION /Section conducteur /Querschnittsbereich mm ²	50-240	50-240	95-185	50-150	50-240	95-185	-
CONDUCTOR DIAMETER /Diamètre conducteur /Leiterdurchmesser mm	Ø7.7-Ø19.2	Ø7.2-Ø17.6	-	-	Ø9.3-Ø19.2	-	-



TOLERANCES UNLESS
OTHERWISE SPECIFIED
TOLERANCES NON SPECIFIEES: -

THIS DRAWING IS A CONTROLLED DOCUMENT. CE PLAN EST UN DOCUMENT CONTROLE PAR TYCO ELECTRONICS CORPORATION. IL EST SUSCEPTIBLE D'ETRE REVISE. POUR OBTENIR LA DERNIERE REVISION, CONTACTER LE SERVICE TECHNIQUE DE TYCO ELECTRONICS SIMEL SAS, 21220 GEVREY-CHAMBERTIN, FRANCE		DWN/DESSINE B. MILLOT 02FEB2017	 TE Connectivity	
DIMENSIONS: mm		CHK/VERIFIE D. BARTA		
TOLERANCES UNLESS OTHERWISE SPECIFIED: TOLERANCES NON SPECIFIEES (SUIV NB DE DECIMALES): 0 PLC/DEC: ±0 1 PLC/DEC: ±0 2 PLC/DEC: ±0 3 PLC/DEC: ±0 4 PLC/DEC: ±0 ANGLES ±-		APVD/APPROUVE N. ALMEIDA	NAME TITRE BLMT-50/185S-240R-13/17	
MATERIAL MATIERE -		FINISH FINITION -	PRODUCT SPEC SPEC. PRODUIT -	APPLICATION SPEC SPEC. APPLICATION -
-		TINNED	WEIGHT MASSE APPROX. -	RESTRICTED TO RESERVE A -
-		CUSTOMER DRAWING /PLAN CLIENT	UNIQUEMENT POUR REFERENCE	SCALE ECHELLE 1:1
-			SIZE FORMAT A3	REVISION REV B
-			CAGE CODE -	DRAWING NO No PLAN C-2832269
-				SHEET FEUILLE OF DE