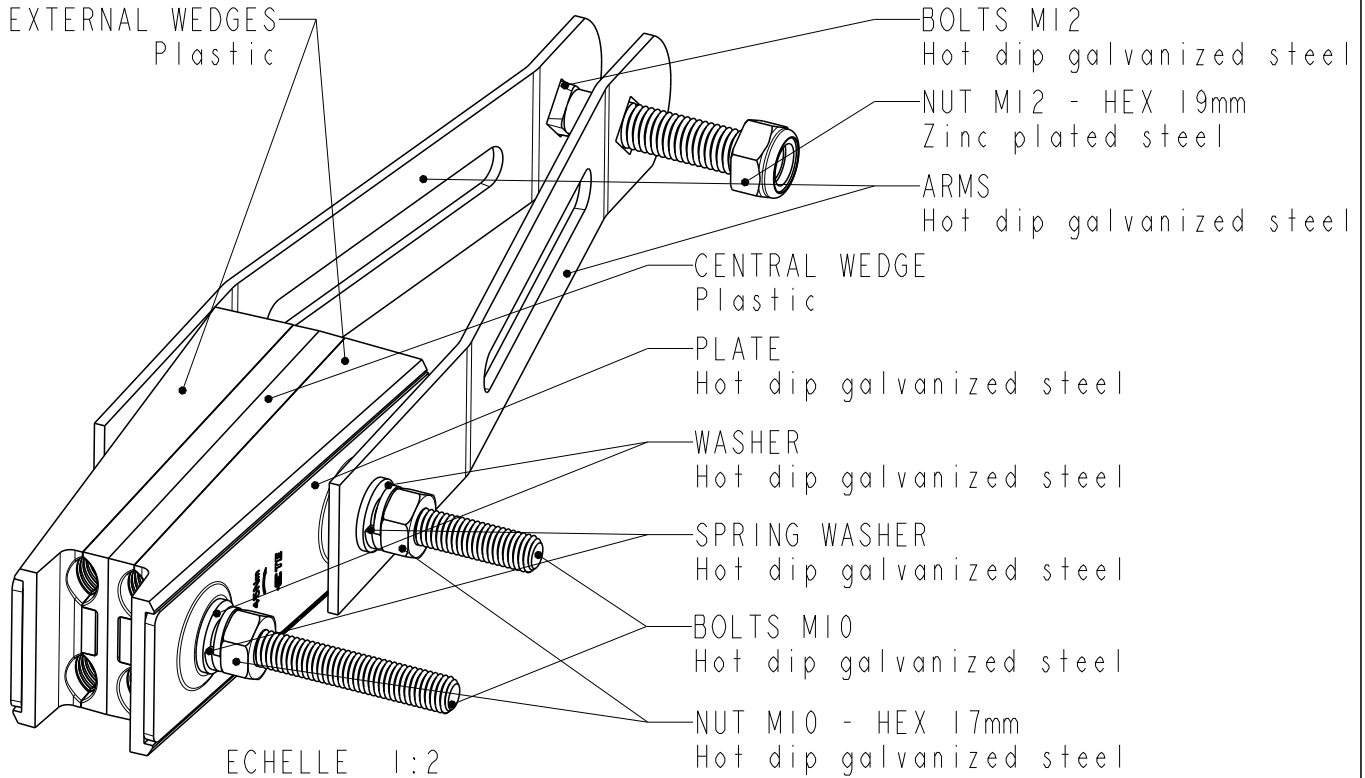
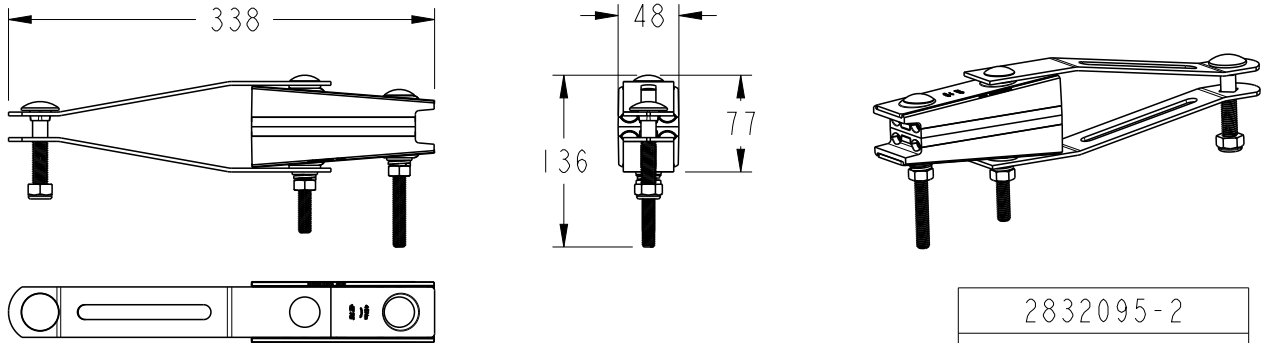


REVISIONS					
P	LTR REV	DESCRIPTION MODIFICATIONS	DATE	DWN DESS.	APVD APP.
	A	Creation	08JAN2016	JD	AG
	B	ECR-17-015816	07NOV2017	BM	GN



DESIGNATION	PN	CAPACITIES	WEIGHT	TIGHTENING TORQUE
PA4x50-95(120) MA	2832095-2	4x50mm <sup>2</sup> to 4x95mm <sup>2</sup> (4x120mm <sup>2</sup> *)	1.1kg	45Nm

\* LV ABC cable 4x120mm<sup>2</sup> can be also installed but the mechanical load shall be limited to 45kN.



MARQUAGE : LOGO, CAPACITE, COUPLE DE SERRAGE, N° LOT  
 MARKING : LOGO, CAPACITIES, TIGHTENING TORQUE, BATCH NUMBER

TOLERANCES UNLESS OTHERWISE SPECIFIED: -  
 TOLERANCES NON SPECIFIEES: -

DIMENSIONS: mm  TOLERANCES UNLESS OTHERWISE SPECIFIED: TOLERANCES NON SPECIFIEES (SUIV NB DE DECIMALES): 0 PLC/DEC: ±0 1 PLC/DEC: ±0 2 PLC/DEC: ±0 3 PLC/DEC: ±0 4 PLC/DEC: ±0 ANGLES ±-	DWN/DESSINE 08JAN2016 J. Dossmann	MATERIAL MATIERE -	FINISH FINITION -
	CHK/VERIFIE - G. Nedellec	APVD/APPROUVE 08JAN2016 A. Guichard	TE Connectivity
	PRODUCT SPEC/SPEC. PRODUIT SPEC. PRODUIT -	NAME TITRE PA4x50-95(120) MA	
	APPLICATION SPEC SPEC. APPLICATION -	SIZE FORMAT A4	DRAWING NO No PLAN C=2832095-2
	WEIGHT MASSE APPROX. 1.5kg	CAGE CODE -	RESTRICTED TO RESERVE A -
	CUSTOMER DRAWING /PLAN CLIENT	UNIQUEMENT POUR REFERENCE	SCALE ECHELLE 1:6 SHEET FEUILLE OF DE 1 REV B

2011  
 RELEASED FOR PUBLICATION  
 LIBRE A LA DIFFUSION

ALL RIGHTS RESERVED.  
 TOUS DROITS RESERVES.

THIS DRAWING IS UNPUBLISHED.  
 DIFFUSION RESTREINTE AMP  
 BY -  
 COPYRIGHT 2011