

THIS DRAWING IS UNPUBLISHED.
 DIFFUSION RESTREINTE
 © COPYRIGHT 2011 by Tyco Electronics Corporation

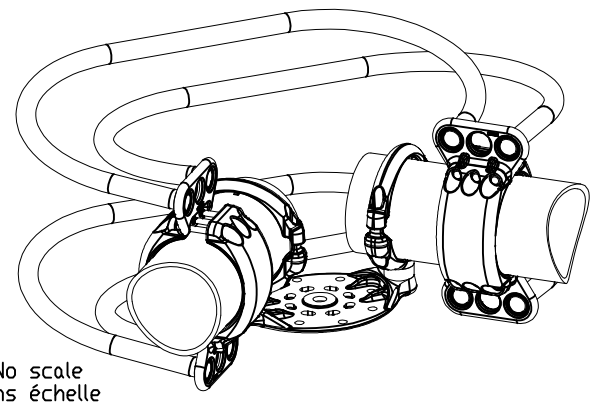
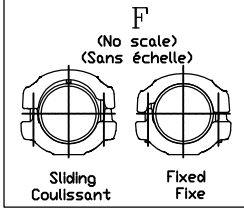
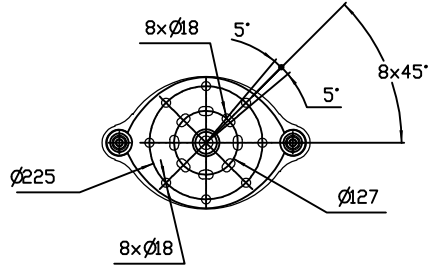
RELEASED FOR PUBLICATION
 LIBRE A LA DIFFUSION
 ALL RIGHTS RESERVED.
 TOUTS DROITS RESERVES.

2011

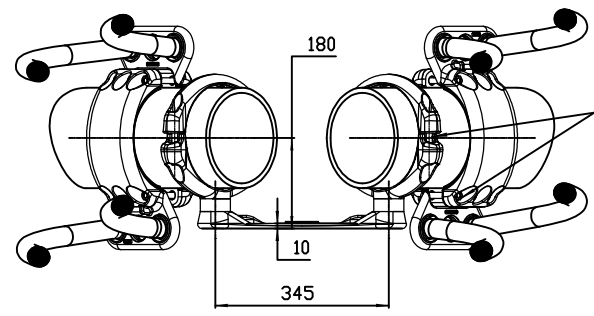
LOC -
 DIST -

REVISIONS

P	LTR REV	DESCRIPTION MODIFICATIONS	DATE	DWN DESS	APVD APPR
A		CREATION	15-Oct-14	TC	-
B		UPDATED DRAWING	17-Nov-14	TC	-
C		UPDATED DRAWING	02-Dec-14	TC	-

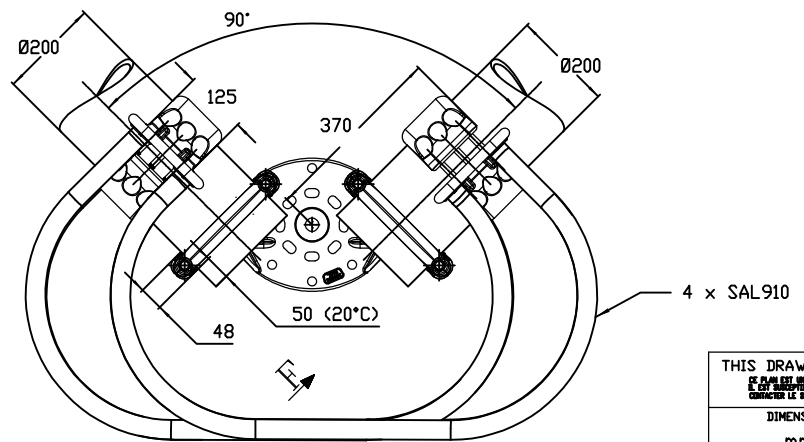


No scale
 Sans échelle



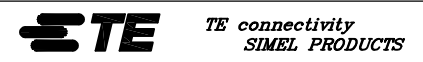
Boulons M12 Inox : 60Nm
 M12 Stainless steel Bolts : 60Nm

Fixed or sliding
 Fixe ou coulissant



THIS DRAWING IS A CONTROLLED DOCUMENT.
 CE D'EST UN DOCUMENT CONTROLÉ PAR LES SERVICES CONCERNÉS
 DE LA SOCIÉTÉ TYCO ELECTRONICS CORPORATION
 CONTACTER LE SERVICE TECHNIQUE DE TYCO ELECTRONICS POUR PLUS
 D'INFORMATIONS CONCERNANT CE DOCUMENT.

DATE	15-Oct-14
APVD/DESINE	CHARTON
CHK/VERIFIE	-
APVD/APPROUVE	-
PRODUCT SPEC	108-69090-001
SPEC. PRODUCT	-
APPLICATION SPEC	-
SPEC. APPLICATION	-
WEIGHT	40.8 KG
MASS	APPROX.



NAME	90° EXPANSION BUS SUPPORT FOR TUBE Ø200		
TITRE	SUPPORT TUBE A 90° A DILATATION TUBE Ø200		
	5 TJL90 P5-P225 TRR200 49 H180		
SIZE	CAGE CODE	DRAWING NO	RESTRICTED TO
FORMAT	00779	No PLAN	RESERVE A
		©=2830963	-

CUSTOMER DRAWING /PLAN CLIENT UNDOULEMENT POUR REFERENCE SCALE ECHELLE 1/10 SHEET FEUILLE 1 OF DE 1 REV C

ITEM: