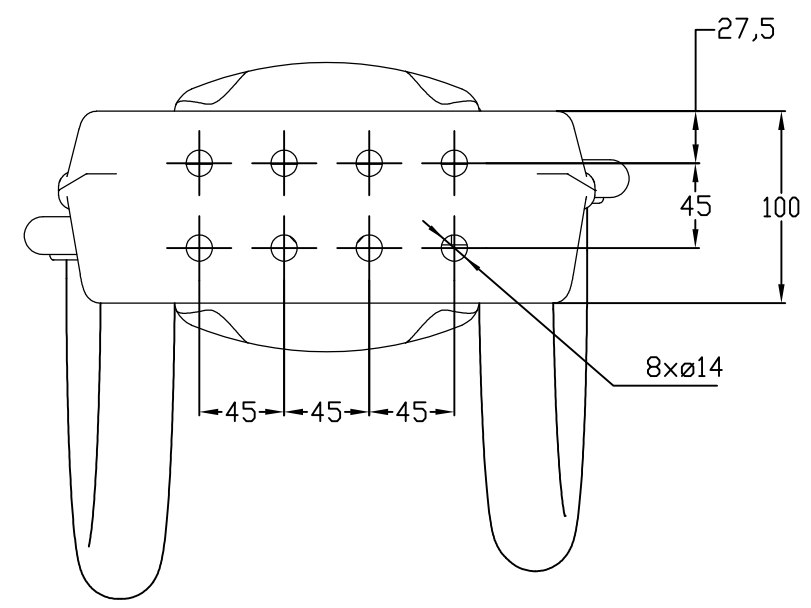
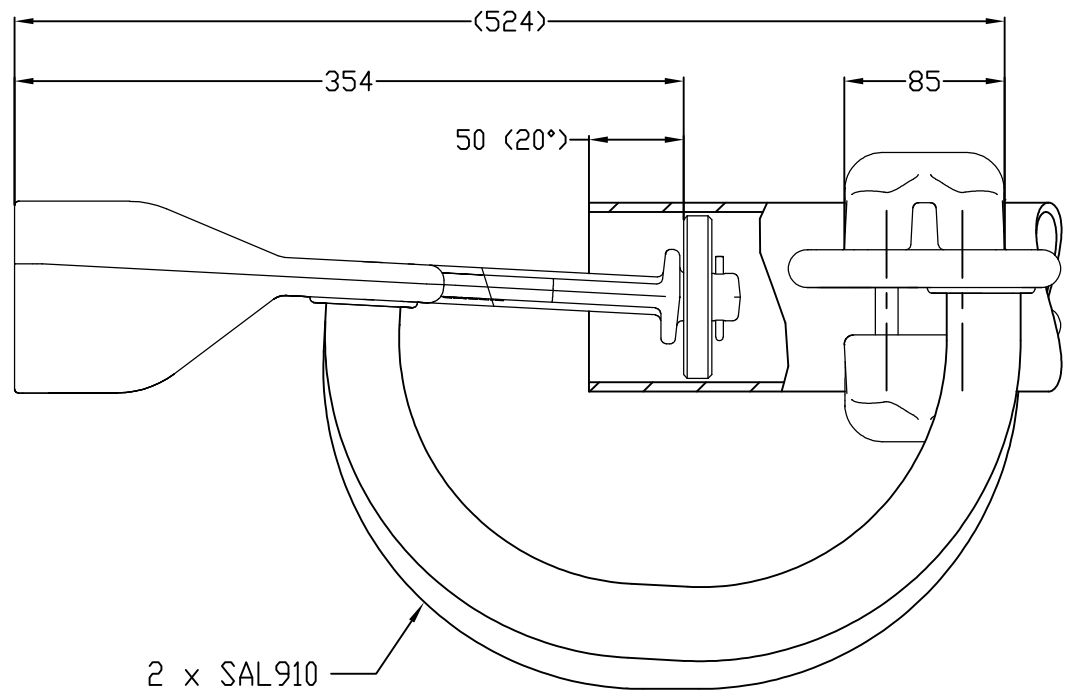
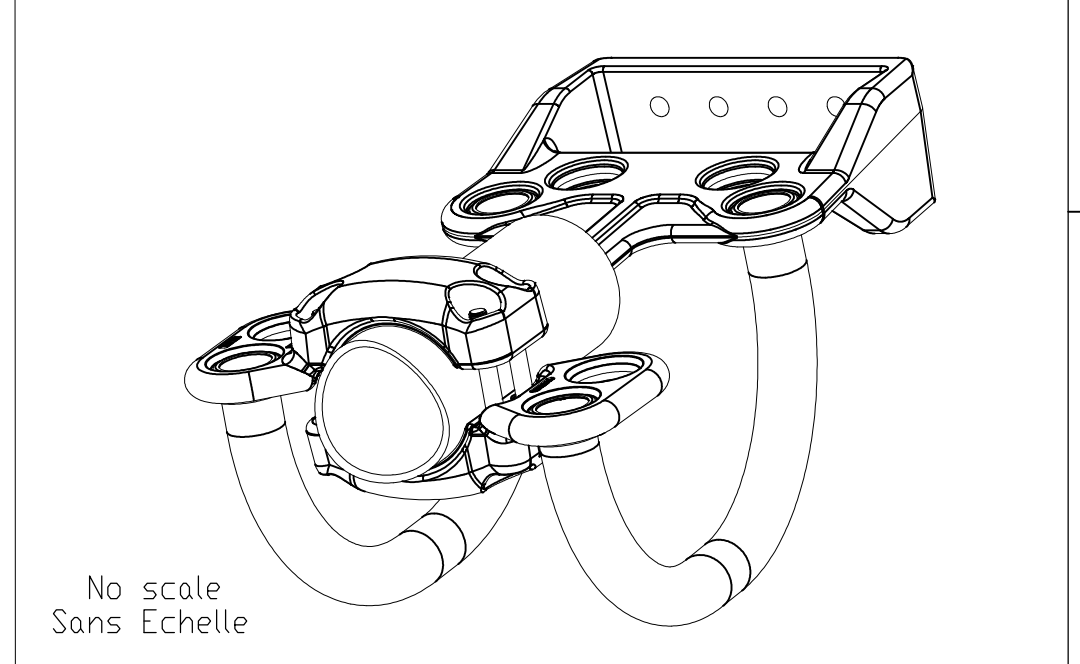
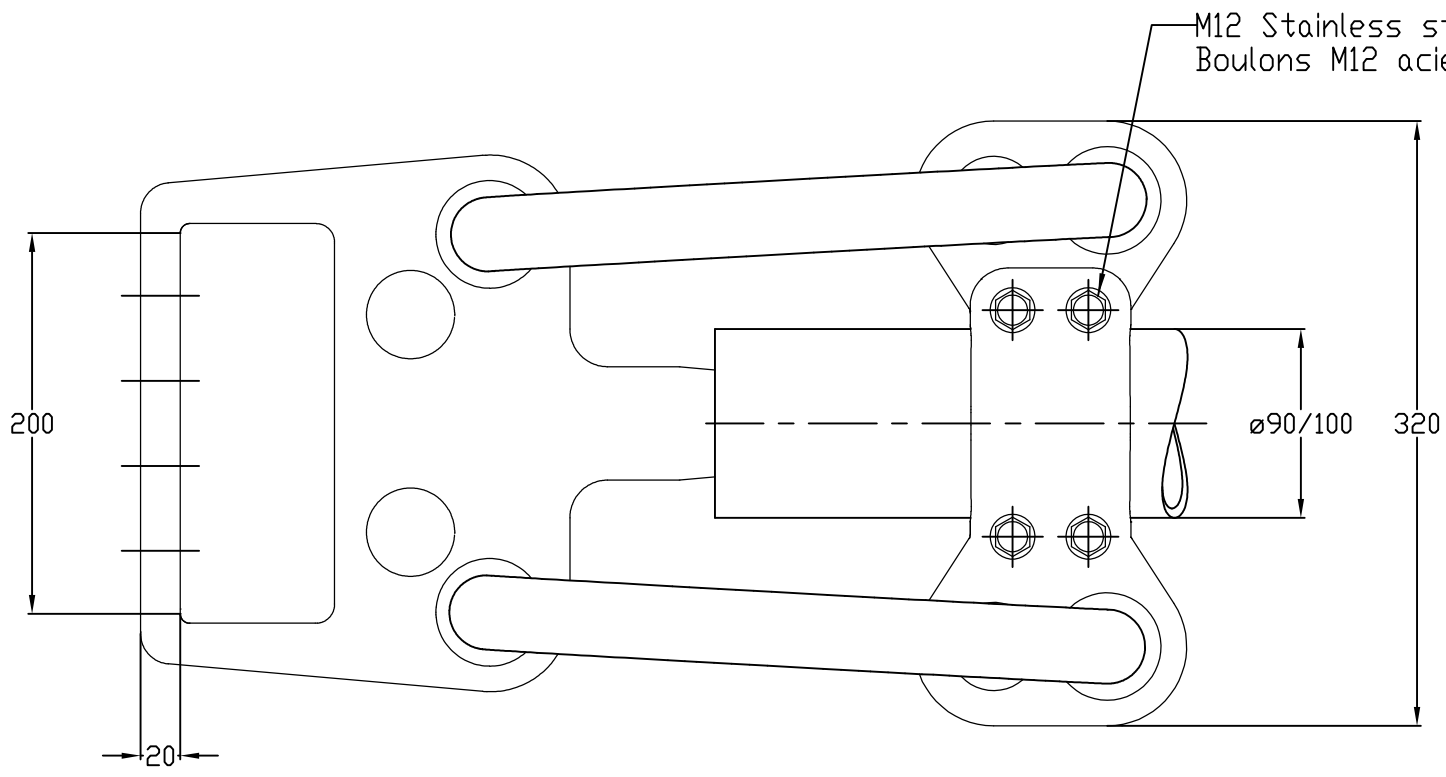

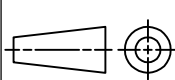


THIS DRAWING IS UNPUBLISHED.
 DIFFUSION RESTREINTE
 © COPYRIGHT 2011 by Tyco Electronics Corporation
 ALL RIGHTS RESERVED.
 TOUS DROITS RESERVES

LOC	DIST	REVISIONS					
		P	LTR REV	DESCRIPTION MODIFICATIONS	DATE	DWN DESS	APVD APPR
-	-		A	CREATION	14-Oct-14	TC	-
			B	UPDATED DRAWING	04-Feb-14	BH	-



ITEM:.....

THIS DRAWING IS A CONTROLLED DOCUMENT. <small>CE PLAN EST UN DOCUMENT CONTRÔLÉ PAR TYCO ELECTRONICS CORPORATION IL EST SUSCEPTIBLE D'ÊTRE RÉVISÉ. POUR OBTENIR LA DERNIÈRE RÉVISION, CONTACTER LE SERVICE TECHNIQUE DE TYCO ELECTRONICS SIMEL SAS, 21220 GEVREY-CHAMBERTIN, FRANCE.</small>		/DESSINE 14OCT2014 CHARTON		 TE connectivity SIMEL PRODUCTS	
DIMENSIONS: mm		-			
TOLERANCES UNLESS OTHERWISE SPECIFIED PER TOLERANCES NON SPECIFIEES SELON : -		APVD/APPROUVE -		SIZE FORMAT A3	
MATERIAL MATIERE -		FINISH FINITION -		CAGE CODE 00779	
		PRODUCT SPEC 108-69090-001		DRAWING NO No PLAN C-2830955	
		APPLICATION SPEC -		RESTRICTED TO RESERVE A -	
		WEIGHT MASSE APPROX. 9,3 kg		CUSTOMER DRAWING /PLAN CLIENT	
				UNIQUEMENT POUR REFERENCE	
				SCALE ECHELLE 1/4	
				SHEET FEUILLE 1 OF DE 1	
				REV B	