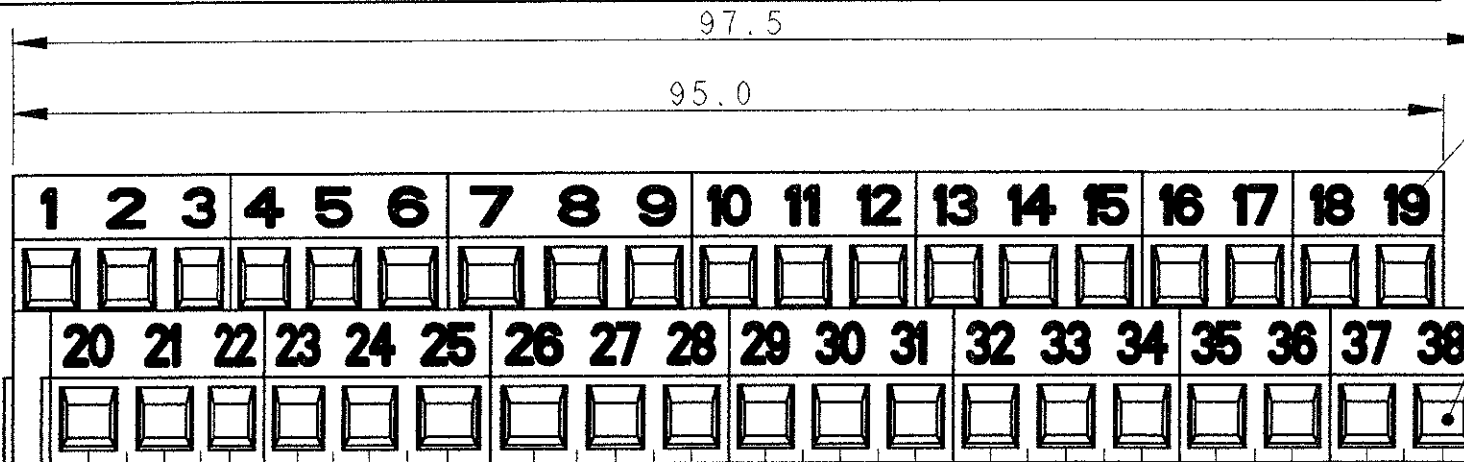
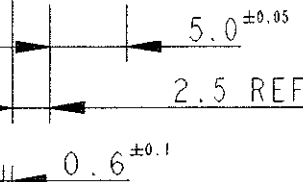
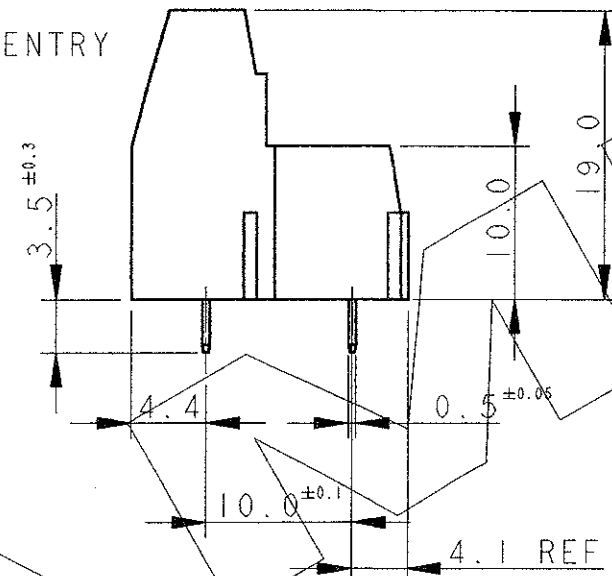


P	LTR	DESCRIPTION	DATE	DWN	APVD
A		NOT YET RELEASED FOR PRODUCTION PER ETOO-0038-98	16 FEB. 98	F.B.	-

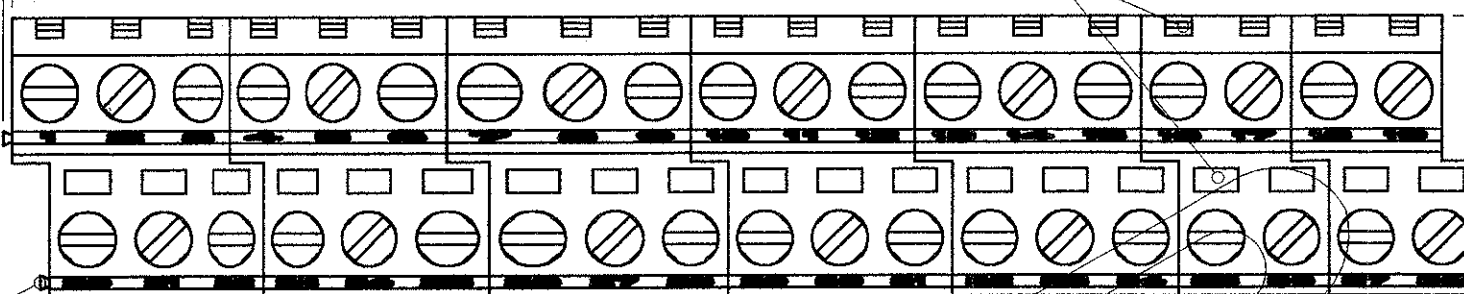


INK MARKING

WIRE ENTRY

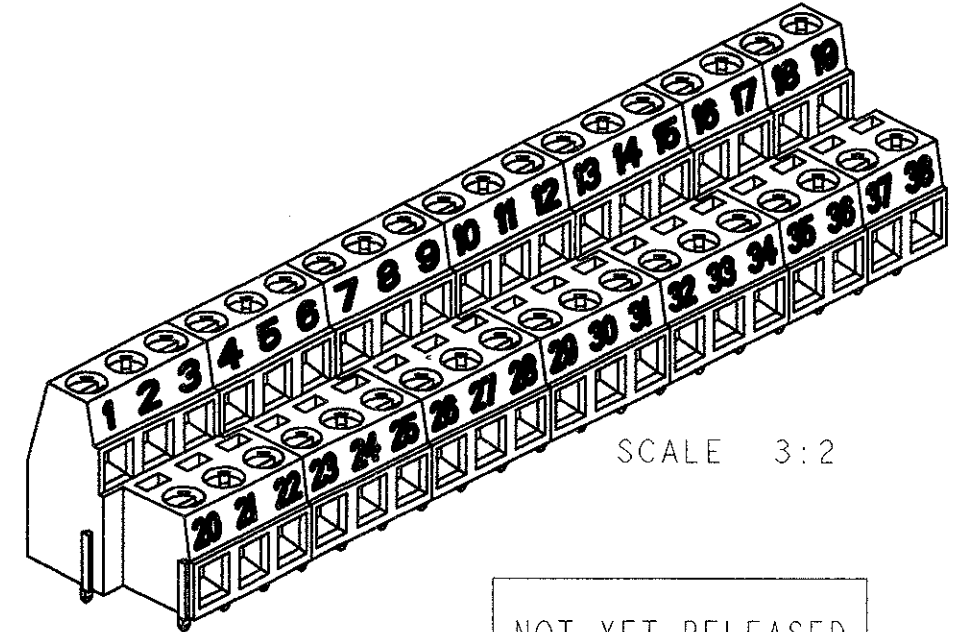
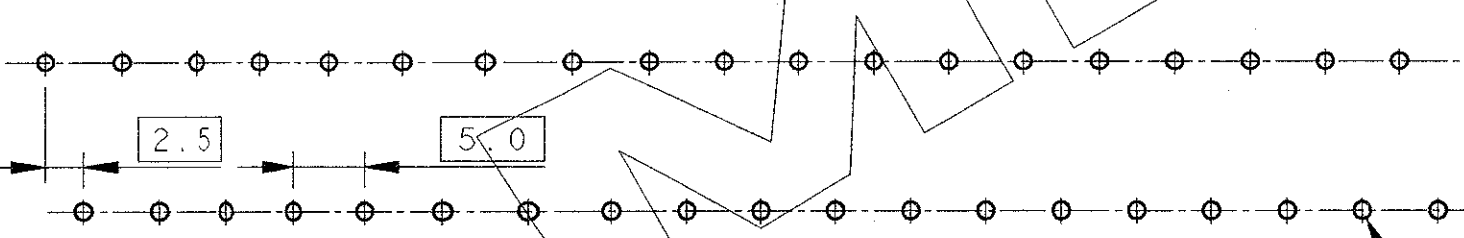


TEST FACILITY



INTERLOCKING FEATURE

RECOMMENDED PC BOARD LAYOUT



SCALE 3:2

NOT YET RELEASED FOR PRODUCTION

△ MATERIALS AND FINISH
 HOUSING: PA 6-6, UL 94 V0, COLOUR GREY, RAL 7032.
 CLAMP: BRASS, NICKEL PLATED.
 POST: BRASS, TIN PLATED.
 CLAMPING SCREW: M3, BRASS, NICKEL PLATED.

- 2 SUITABLE FOR 1,6-2,4mm PC BOARD THICKNESS.
- 3 CONNECTION POWER
 SOLID WIRE: 0,03-2,5mm (13AWG).
 STRANDED WIRE: 0,03-1,5mm (15AWG).
- 4 THIS PRODUCT IS OBTAINED BY ASSEMBLING (END-TO-END) 5 TERMI-BLOK PCB MOUNT P/N 282868-3 AND 2 TERMI-BLOK PCB MOUNT P/N 282868-2. MARKING WIRE ENTRY POSITION. FOR FURTHER INFORMATION REFER TO MENTIONED DRAWINGS.

THIS DRAWING IS A CONTROLLED DOCUMENT FOR AMP INCORPORATED. IT IS SUBJECT TO CHANGE AND THE CONTROLLING ENGINEERING ORGANIZATION SHOULD BE CONTACTED FOR THE LATEST REVISION.		DWN C. PIA 30 JUL 97	AMP Italia S.p.A. Collegno, C.so F.lli Cervi 15	
DIMENSIONS: mm		CHK M. SCOMPARI 30 JUL 97	NAME TERMI-BLOK PCB MOUNT, 1ST AND 2ND LEVEL, 5mm PITCH, CUSTOMIZED VERSION, 2X19 POS.	
TOLERANCES UNLESS OTHERWISE SPECIFIED: 0 PLC ±0.2 1 PLC ±0.2 2 PLC ± 3 PLC ± 4 PLC ± ANGLES ±2		PRODUCT SPEC 108-20166	SIZE A3	CAGE CODE 00779
MATERIAL △		APPLICATION SPEC 114-20079	DRAWING NO G-282868-4	RESTRICTED TO -
FINISH △		WEIGHT -	SCALE 2:1 SHEET 1 OF 1 REV A	
CUSTOMER DRAWING				