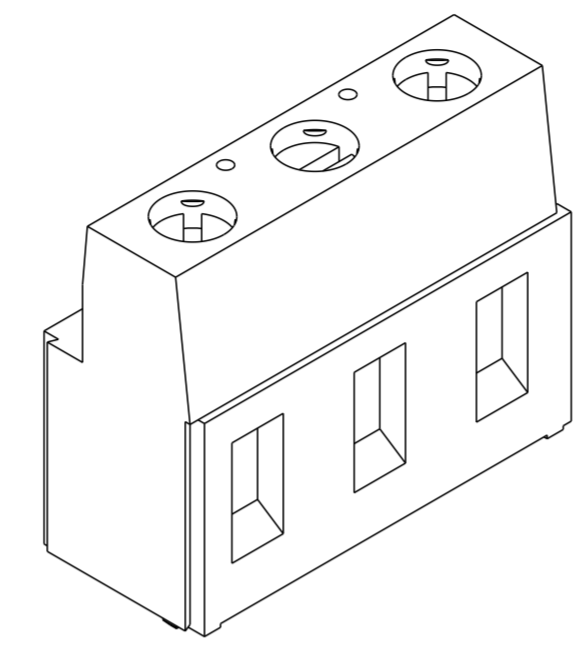
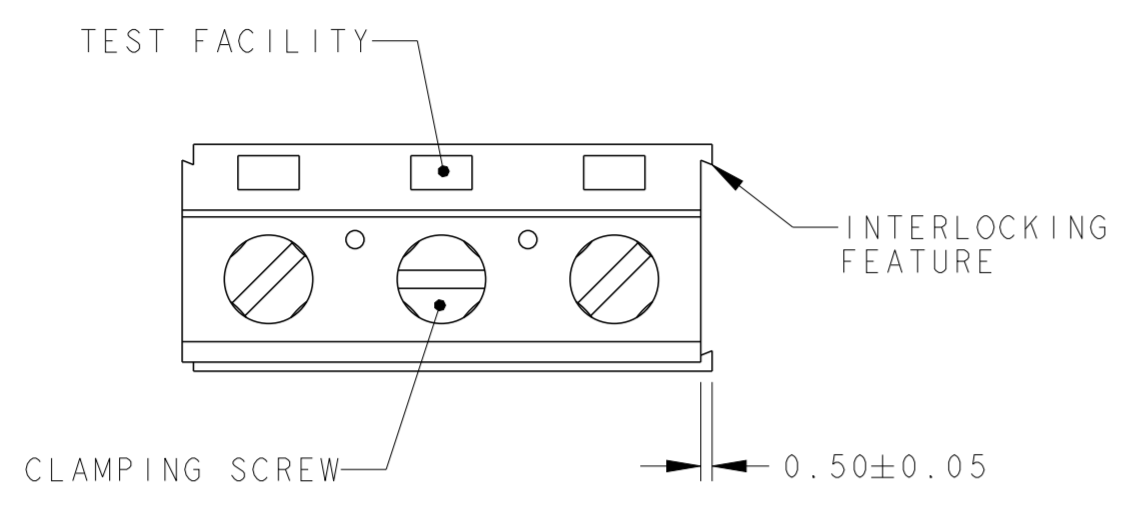


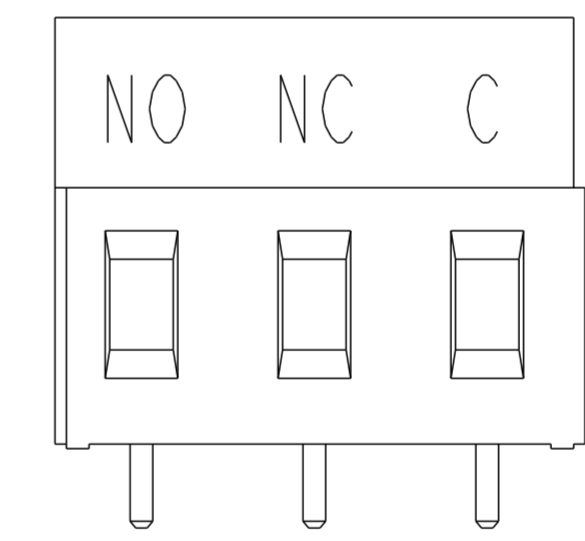
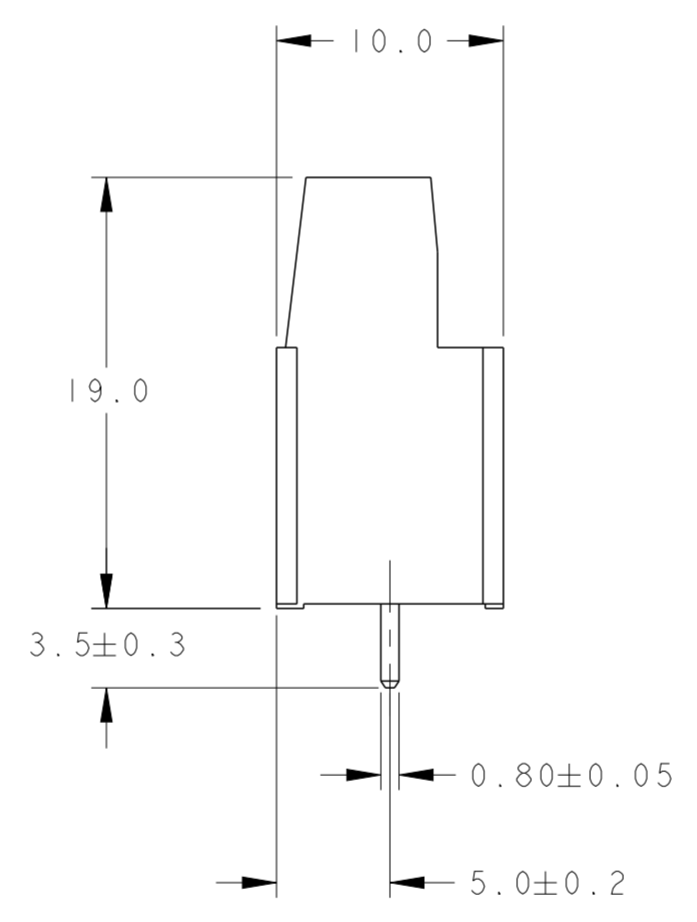
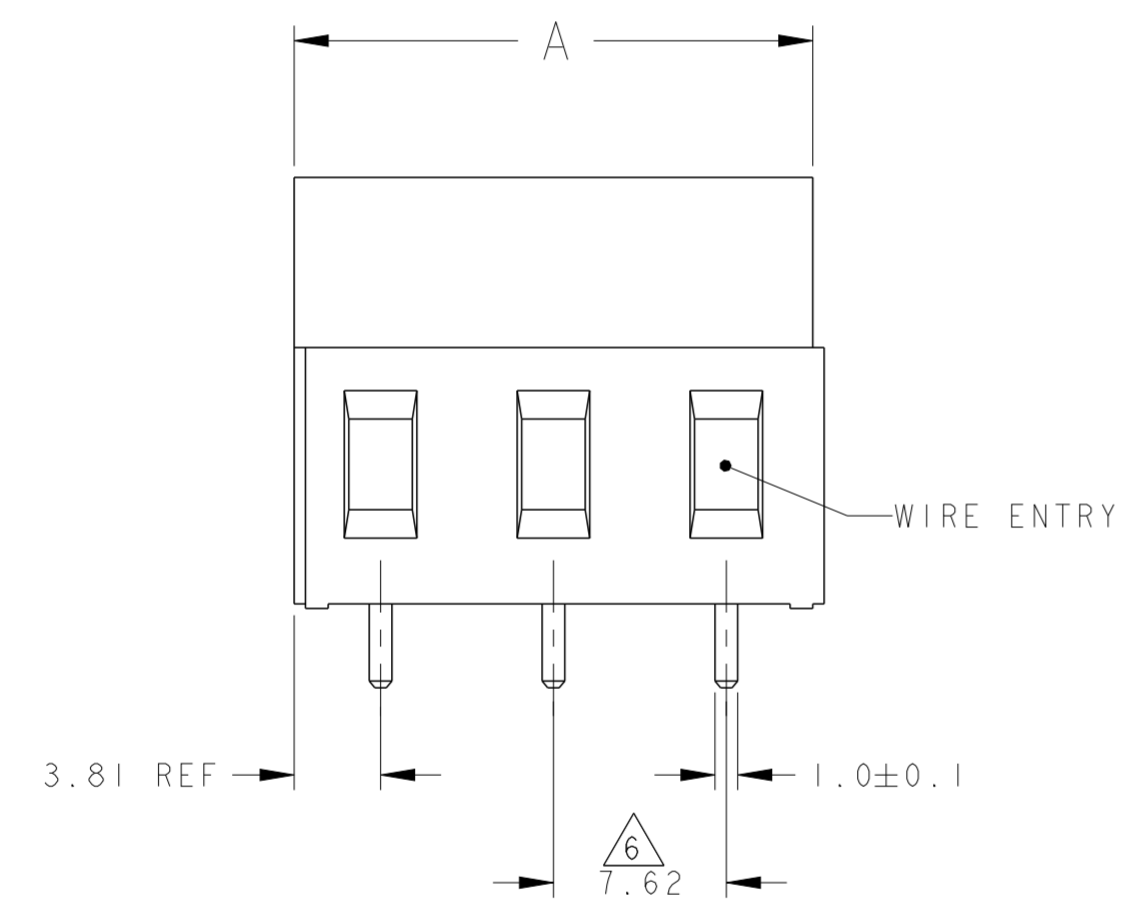
REVISIONS					
P	LTR	DESCRIPTION	DATE	DWN	APVD
D3		PN 282861-4 IS REACTIVATED	17JUL2018	RK	PS
D4		PN 282861-5 OBSOLETE	18OCT2021	SCB	SS
D5		3-282861-2 ADDED	22FEB2024	KGN	PS



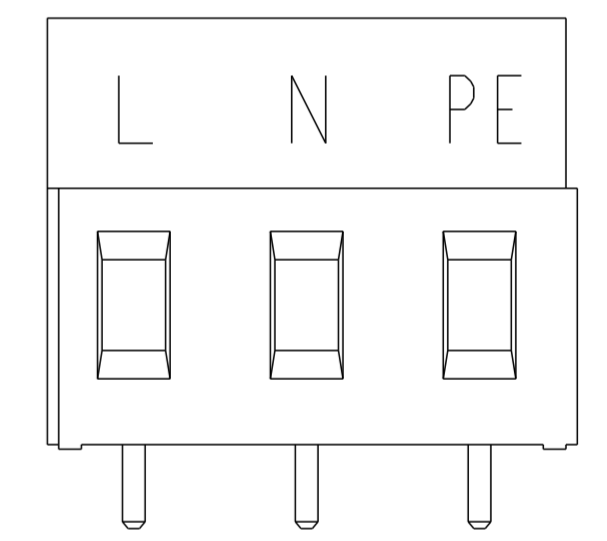
282861-3 AS SHOWN

NOTES:

- MATERIALS AND FINISH  
HOUSING: PA 6-6, UL 94-V0, COLOR: SEE TABLE.  
CLAMP: BRASS, NICKEL PLATED.  
TERMINAL: BRASS, TIN PLATED.  
CLAMPING SCREW: M3, BRASS, NICKEL PLATED.
  - MECHANICAL  
MIN. PC BOARD HOLES DIAMETER : 1.4 mm  
MAX. PC BOARD THICKNESS : 2.4 mm  
WIRE STRIPPING LENGTH : 6.5 - 7.0 mm  
RECOMMENDED TIGHTENING TORQUE FOR SCREW : 0.5 Nm.
  - ELECTRICAL  
WIRE RANGE : 12-30 AWG  
MAX. VOLTAGE : 300 V  
MAX. CURRENT : 24 A  
CONTACT RESISTANCE : <15 m Ohm  
INSULATION RESISTANCE : >1000 M Ohm (500V DC)
  - END-TO-END STACKABLE W/INTERLOCK WITHOUT LOSS OF CENTERLINE SPACING.
  - RECOGNIZED UNDER THE COMPONENT PROGRAM OF UNDERWRITERS LABORATORIES INC. FILE NO E60677.
- 6 NOT CUMULATIVE TOLERANCE.  
7 INK MARKING, BLACK COLOR.

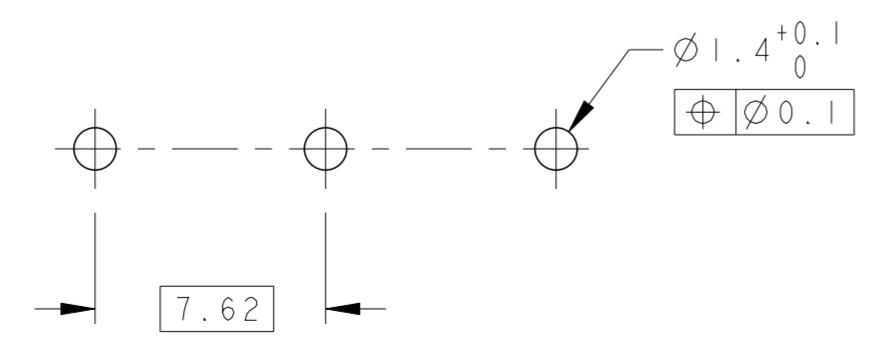


DETAIL L 7



DETAIL M 7

	GRAY	-	15.24	2	3-282861-2
OBSOLETE	GREEN	SEE DETAIL M	22.86	3	282861-5
	GRAY	SEE DETAIL L	22.86	3	282861-4
	GREEN	-	22.86	3	282861-3
	GREEN	-	15.24	2	282861-2
	HOUSING COLOR	MARKING	A	NO OF POSN	PART NUMBER



RECOMMENDED PC BOARD LAYOUT

THIS DRAWING IS A CONTROLLED DOCUMENT.

DIMENSIONS: mm	TOLERANCES UNLESS OTHERWISE SPECIFIED: 0 PLC ± 1 PLC ±0.3 2 PLC ±0.25 3 PLC ± 4 PLC ± ANGLES ±2°	DWN E. ZANOLINI 24OCT2001 CHK D. BIEVENOUR 24OCT2001 APVD D. BIEVENOUR 24OCT2001	TE Connectivity		
MATERIAL: SEE NOTES	FINISH: SEE NOTES	PRODUCT SPEC: 108-20166 APPLICATION SPEC: 114-20079	NAME: TERMINAL BLOCK, PCB MOUNT SIDE ENTRY WIRE, STACKING W/ INTERLOCK, 7.62mm PITCH		
		WEIGHT: -	SIZE: A2	CAGE CODE: 0779	DRAWING NO: C-282861
		CUSTOMER DRAWING	SCALE: 3:1	SHEET: 1 OF 1	REV: D5