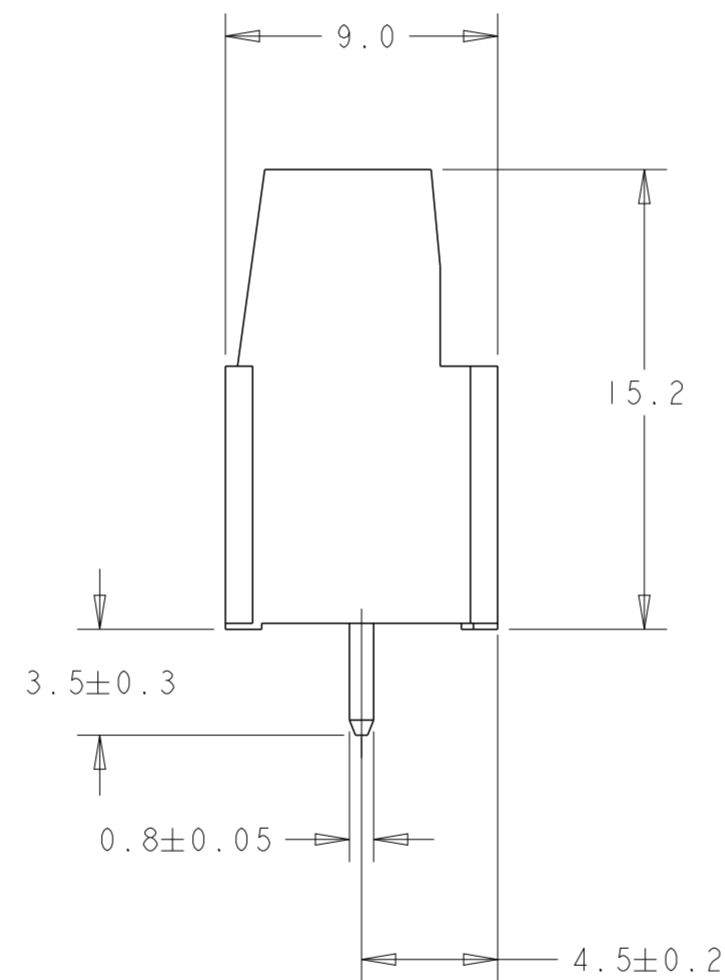
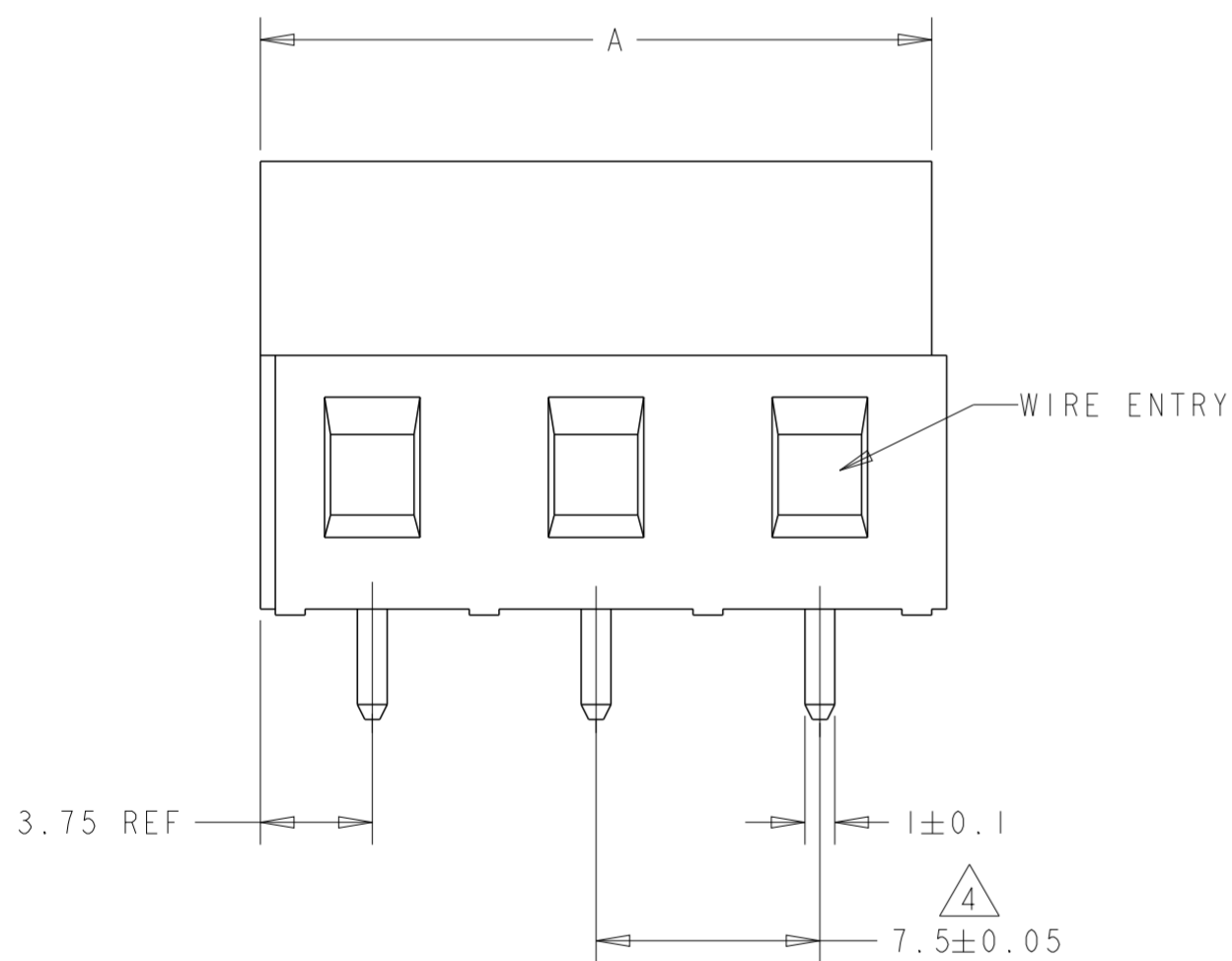
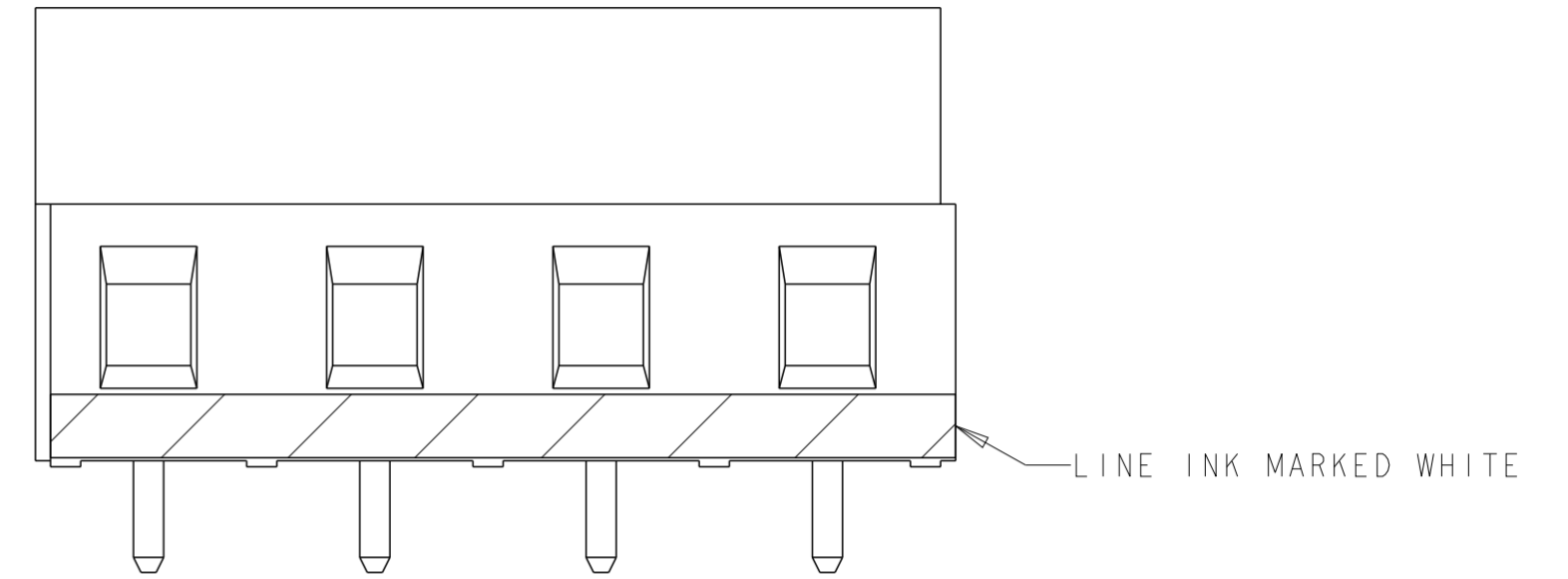
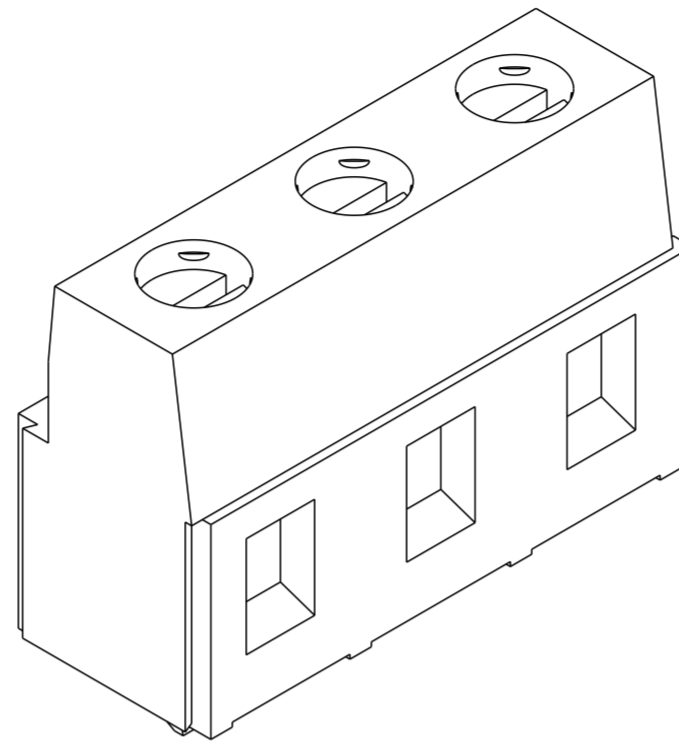
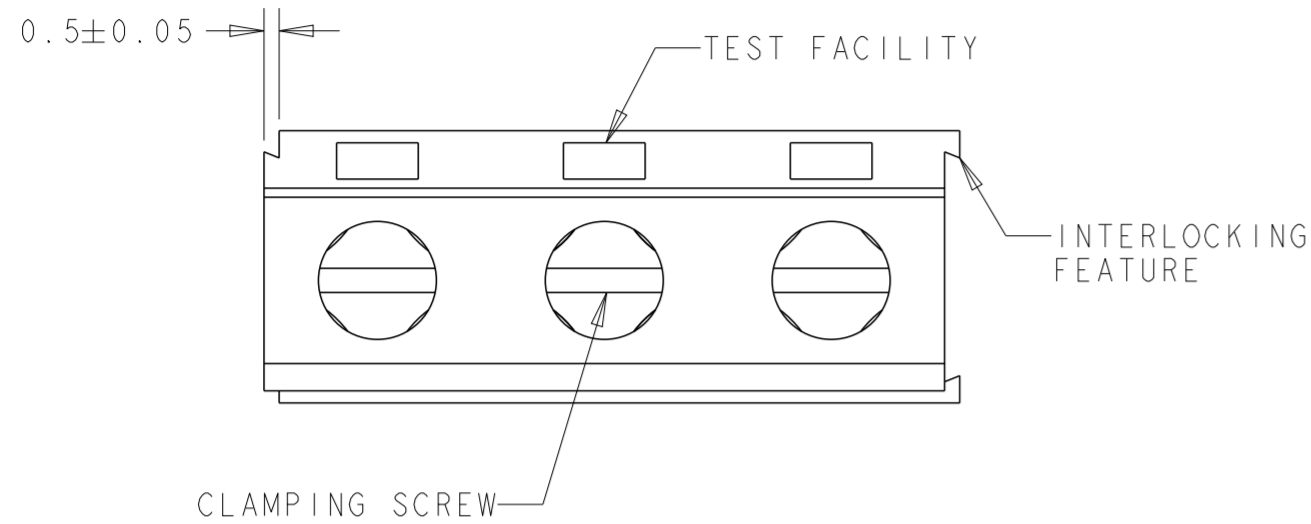


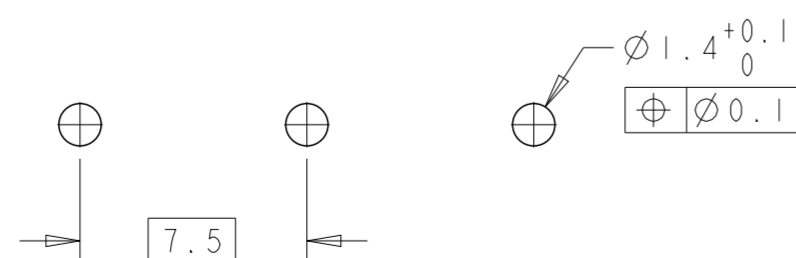
P	LTR	DESCRIPTION	DATE	DWN	APVD
F2		REVISED PER ECO-11-005027	16MAR2011	RK	HMR
F3		CHANGING THE WIRE SIZE RANGE TO 30-12AWG	31JUL2023	SP	PS



NOTES:

- 1 MATERIALS AND FINISH :  
HOUSING : POLYAMIDE, UL 94-V0, COLOR SEE TABLE  
CLAMP : COPPER ALLOY, NICKEL PLATED.  
CONTACT : COPPER ALLOY, TIN PLATED OVER UNDER NICKEL PLATE  
CLAMPING SCREW : M3, COPPER ALLOY, NICKEL PLATED
2. MECHANICAL PROPERTIES:  
RECOMMENDED TIGHTENING TORQUE : 0.5 Nm  
WIRE STRIPPING LENGTH : 6.5 mm
3. ELECTRICAL PROPERTIES:  
WIRE RANGE : 30-12 AWG (0.05 + 2.5mm<sup>2</sup>)  
RATED VOLTAGE : 300V  
RATED CURRENT : 17.5A  
CONTACT RESISTANCE : <15 m Ohm  
INSULATION RESISTANCE : >1000 M Ohm (500V DC)
- 4 NOT CUMULATIVE TOLERANCE.
- 5 OBSOLETE
6. OPERATING TEMPERATURE RANGE : -40°C TO +105°C.
- 7 CLAMPING SCREWS IN TORQUED DOWN POSITION.

OBSOLETE	BLACK	NO	-	22.5	3	1-282844-3
	GREEN	YES	-	30.0	4	282844-6
	GREEN	NO	7	30.0	4	282844-5
	GREEN	NO	-	30.0	4	282844-4
	GREEN	NO	-	22.5	3	282844-3
	GREEN	NO	-	15.0	2	282844-2
HOUSING COLOR	MARKING	CLAMPING SCREW	A	NO OF POSN	PART NUMBER	



RECOMMENDED PC BOARD LAYOUT

THIS DRAWING IS A CONTROLLED DOCUMENT.

DIMENSIONS:	TOLERANCES UNLESS OTHERWISE SPECIFIED:	DWN E. ZANOLINI 05APR2001	TE Connectivity
mm	0 PLC ±-	CHK D. BIEVENOUR 05APR2001	
	1 PLC ±.3	APVD D. BIEVENOUR 05APR2001	
	2 PLC ±.25	PRODUCT SPEC -	
	3 PLC ±-	APPLICATION SPEC -	NAME
	4 PLC ±-	ANGLES ±2°	TERMINAL BLOCK, PCB MOUNT, SIDE WIRE ENTRY, STACKING, WITH INTERLOCK, 7.5mm PITCH.
MATERIAL	FINISH	WEIGHT -	SIZE CAGE CODE DRAWING NO RESTRICTED TO
			A200779 C-282844 -
CUSTOMER DRAWING			SCALE 4:1 SHEET 1 OF 1 REV F3