

4

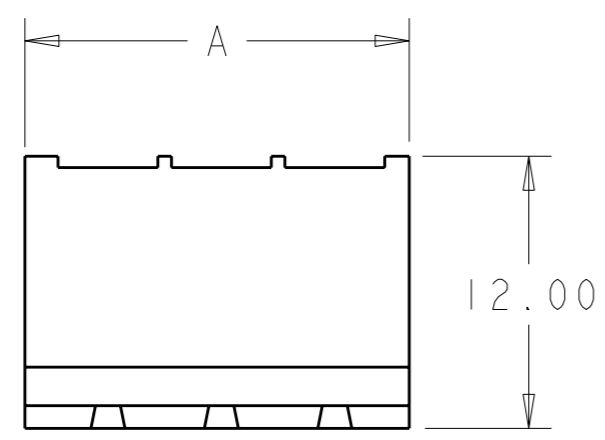
3

2

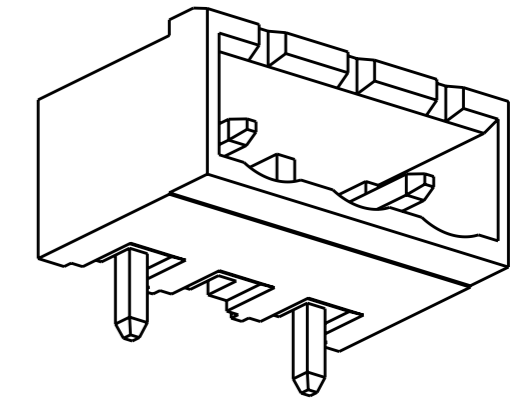
1

THIS DRAWING IS UNPUBLISHED. RELEASED FOR PUBLICATION 20  
 © COPYRIGHT 20 Y ALL RIGHTS RESERVED.

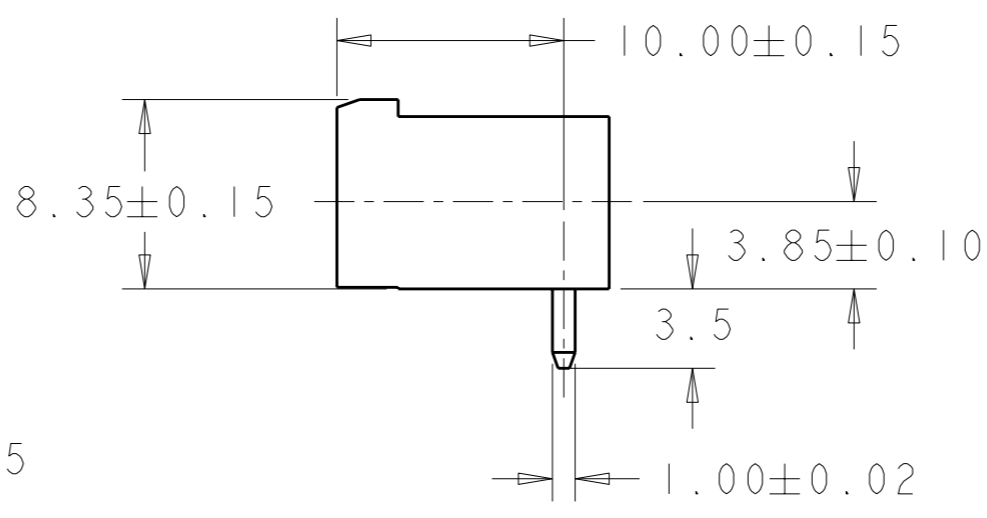
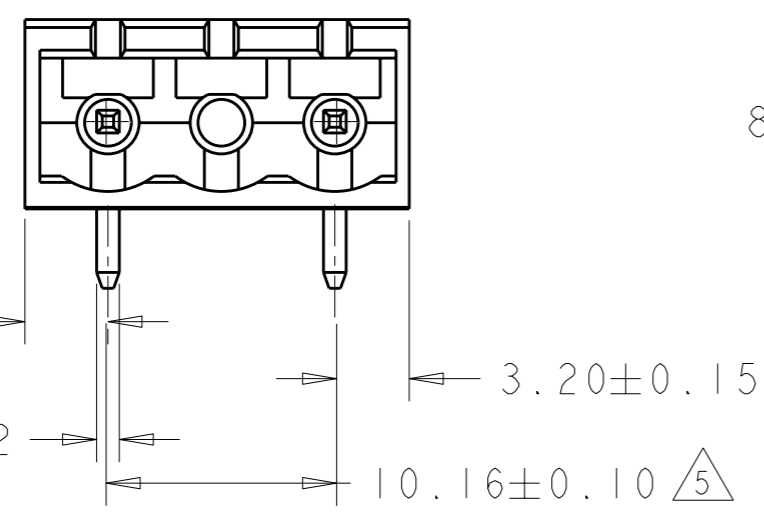
LOC	DIST	REVISIONS			
P	LTR	DESCRIPTION	DATE	DWN	APVD
FT	0	E	REVISED PER ECO-12-007964	02MAY2012	KH MS



- 1 MATERIALS AND FINISH  
HOUSING: PA 6-6, UL 94-V0, COLOR GREEN.  
TERMINAL: COPPER ALLOY, TIN PLATED.
- 2 SUITABLE FOR 1,6-2,4mm PC BOARD THICKNESS.  
OBSOLETE
- 3 RECOGNIZED UNDER THE COMPONENT PROGRAM OF  
UNDERWRITERS LABORATORIES INC. FILE N° E60677.
- 4 IMQ CERTIFICATE WITH SURVEILLANCE IN CONFORMITY  
WITH IEC 998-1/998-2-1.
- 5 NOT CUMULATIVE TOLERANCE.

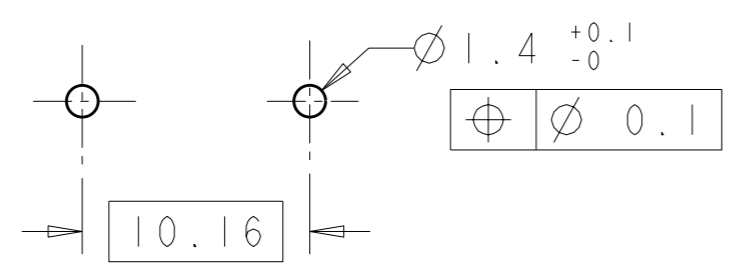


282818-2 AS SHOWN



DIM. A	N° OF POS.	PART NUMBER	
OBSOLETE	128.82 <sup>+0.40</sup> <sub>-0.25</sub>	13	1-282818-3
	118.66 <sup>+0.40</sup> <sub>-0.25</sub>	12	1-282818-2
OBSOLETE	108.50 <sup>+0.40</sup> <sub>-0.25</sub>	11	1-282818-1
OBSOLETE	98.34 <sup>+0.40</sup> <sub>-0.25</sub>	10	1-282818-0
	88.18 <sup>+0.35</sup> <sub>-0.25</sub>	9	282818-9
	78.02 <sup>+0.35</sup> <sub>-0.25</sub>	8	282818-8
OBSOLETE	67.86 <sup>+0.35</sup> <sub>-0.20</sub>	7	282818-7
	57.70 <sup>+0.30</sup> <sub>-0.20</sub>	6	282818-6
	47.54 <sup>+0.30</sup> <sub>-0.20</sub>	5	282818-5
	37.38 <sup>+0.25</sup> <sub>-0.10</sub>	4	282818-4
	27.22 <sup>+0.25</sup> <sub>-0.10</sub>	3	282818-3
	17.06 <sup>+0.20</sup> <sub>-0.10</sub>	2	282818-2

RECOMMENDED PC BOARD LAYOUT



THIS DRAWING IS A CONTROLLED DOCUMENT.		DWN E. ZANOLINI 26 JUL 2001	TE Connectivity	
DIMENSIONS: mm		CHK D. BIEVENOUR 26 JUL 2001		
TOLERANCES UNLESS OTHERWISE SPECIFIED:		APVD D. BIEVENOUR 26 JUL 2001	NAME	
0 PLC ±. 1 PLC ±.2 2 PLC ±.25 3 PLC ±. 4 PLC ±. ANGLES ±2		PRODUCT SPEC 108-20166	TERMINAL BLOCK HEADER ASSEMBLY 90 DEG CLOSED ENDS 10.16mm PITCH	
MATERIAL		APPLICATION SPEC 114-20079	SIZE A3	CAGE CODE 00779
FINISH		WEIGHT -	DRAWING NO C-282818	RESTRICTED TO -
		CUSTOMER DRAWING		SCALE 3:1
				SHEET 1 OF 1
				REV E