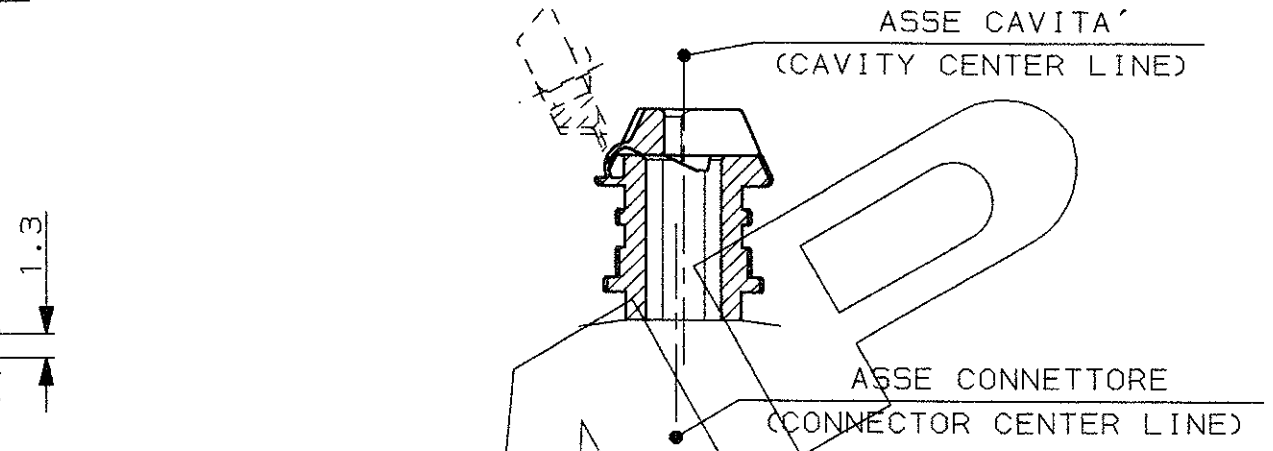
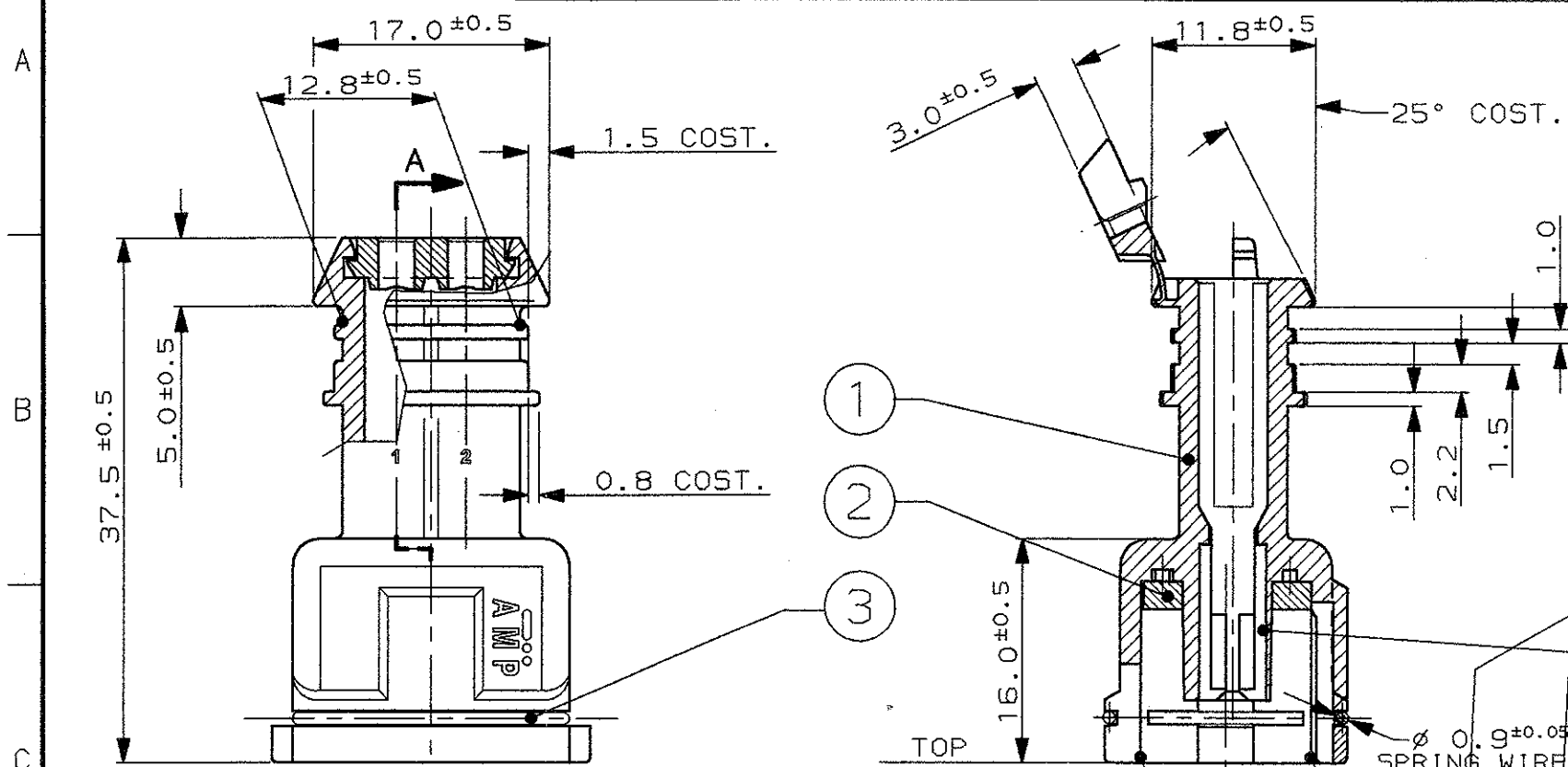


CONNETTORE TIPO B (CON MOLLA DI RITEGNO INTERNA)
CONNECTOR TYPE B (WITH INTERNAL SPRING)

SCALA NON IMPEGNATIVA
(DO NOT SCALE)
DIMENSIONI IN mm
(DIMENSIONS IN mm)

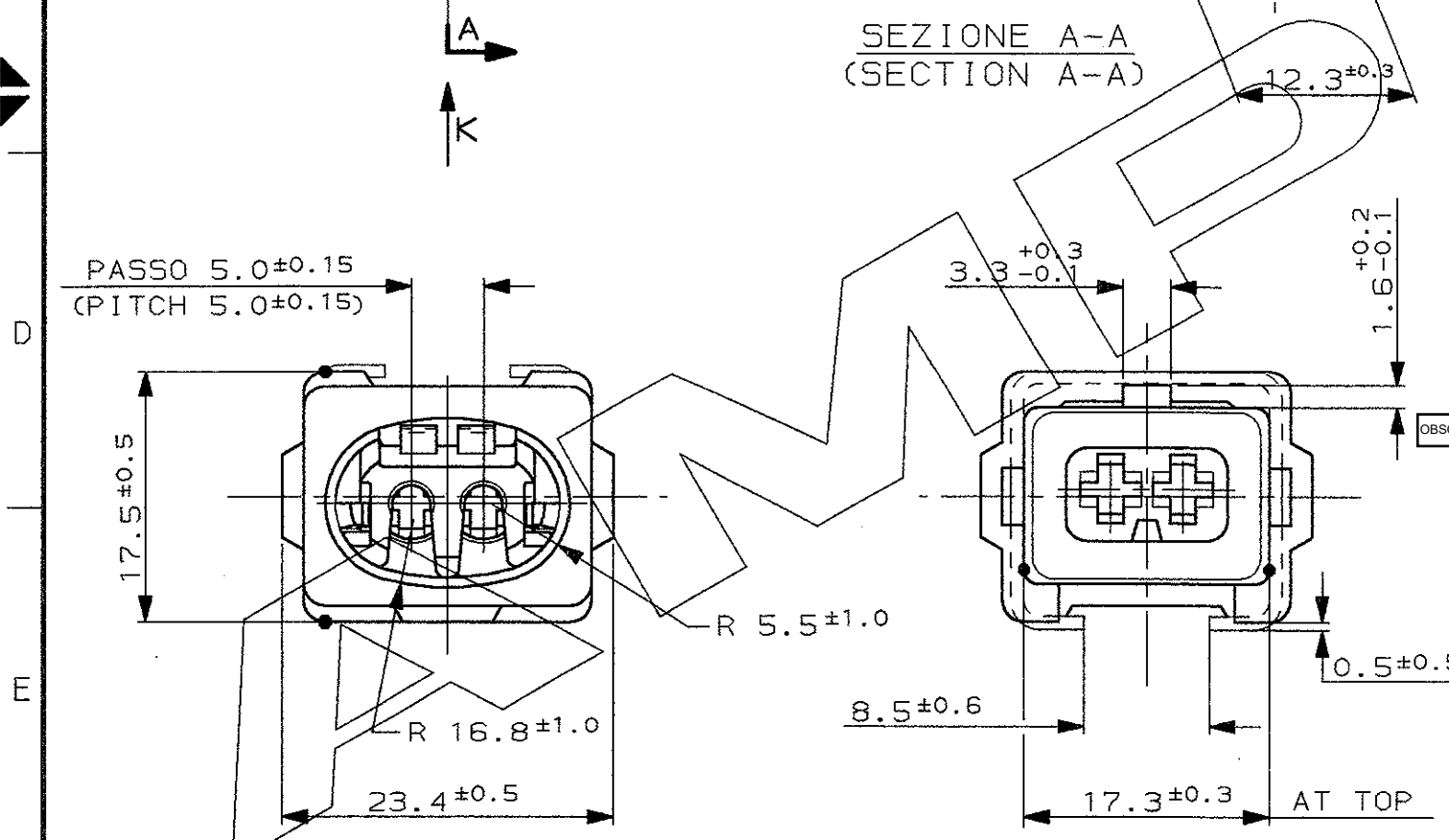
METRIC

PROIEZIONE EUROPEA
(EUROPEAN PROJECTION)



CAVITA' ADATTA PER TERMINALI JUNIOR POWER TIMER:
 CONTATTO P/N 929939-1 0 -3 CON GOMMINO P/N 828904-1
 CAVO ISOLANTE RIDOTTO ϕ 1.5-2.1mm; SEZIONE 0.5-1.0mm²
 CONTATTO P/N 929937-1 0 -3 CON GOMMINO P/N 828905-1
 (O GOMMINO P/N 282536-1 SOLO PER CAVI SEZIONE 2.5mm²)
 CAVO ISOLANTE RIDOTTO ϕ 2.2-3.0mm; SEZIONE 1.5-2.5mm²
 CAVITY SUITABLE FOR JUNIOR POWER TIMER CONTACT:
 CNT. P/N 929939-1 OR -3 PLUS WIRE SEAL P/N 828904-1
 REDUCED INS. CABLE ϕ 1.5-2.1mm; WIRE RANGE 0.5-1.0mm²
 CNT. P/N 929937-1 OR -3 PLUS WIRE SEAL P/N 828905-1
 (OR WIRE SEAL P/N 282536-1 ONLY FOR WIRE SECT. 2.5 mm²)
 REDUCED INS. CABLE ϕ 2.2-3.0mm; WIRE RANGE 1.5-2.5mm²

- PER DIMENSIONI CONTROPARTE VEDERE FOGLIO 2 DI 2.
(- FOR PIN HEADER DIMENSIONS SEE SHEET 2 OF 2).

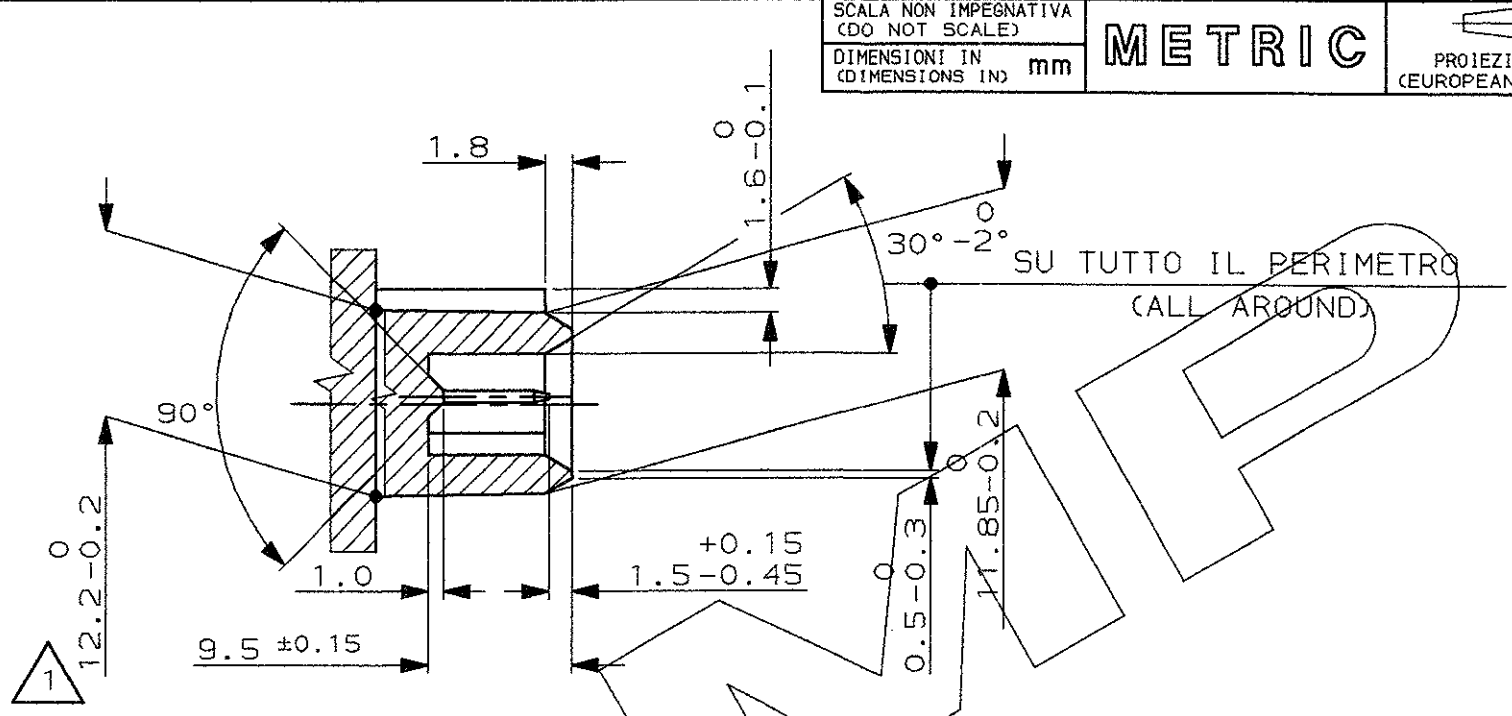
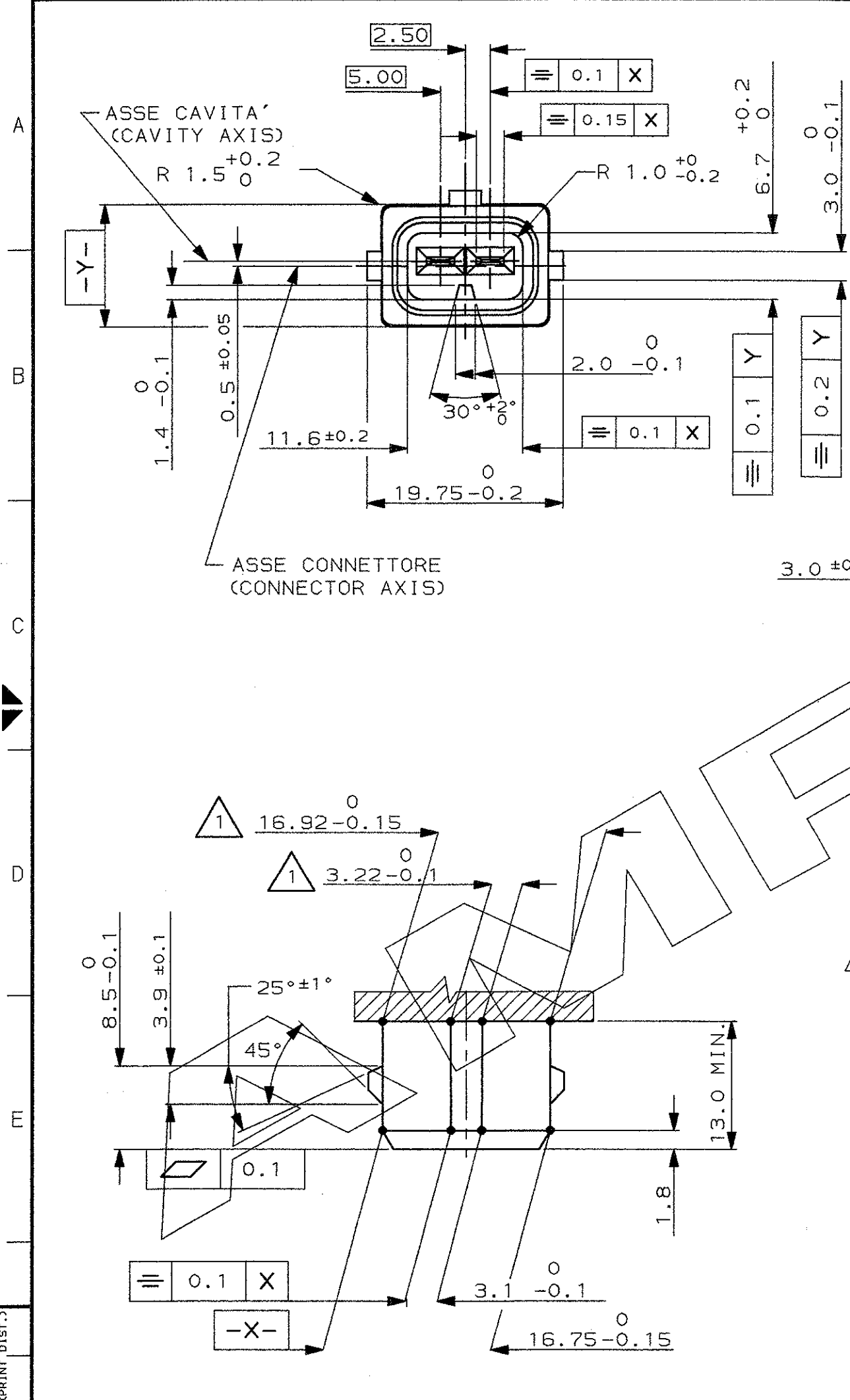


VISTA DA K
(VIEW FROM K)

ROSSO (RED)	282788-8				
GIALLO (YELLOW)	282788-7				
MARRONE (BROWN)	282788-6				
BLU (BLUE)	282788-5	3	///////	ACCIAIO INOX (STAINLESS STEEL)	
VERDE (GREEN)	282788-4			MOLLA (SPRING)	
NATURALE (NATUR)	282788-3	2	NATURALE (NATURAL)	GOMMA (RUBBER)	
GRIGIO (GREY)	282788-2			GUARNIZIONE (RUBBER GASKET)	
NERO (BLACK)	282788-1	1	///////	PA 6.6	
				BLOCCHETTO (HOUSING)	
COLORE (COLOR)	NUMERO (PART N°.)	N° (ITEM)	FINITURA / COLORE (FINISH / COLOUR)	MATERIALE (MATERIAL)	DESCRIZIONE (DESCRIPTION)

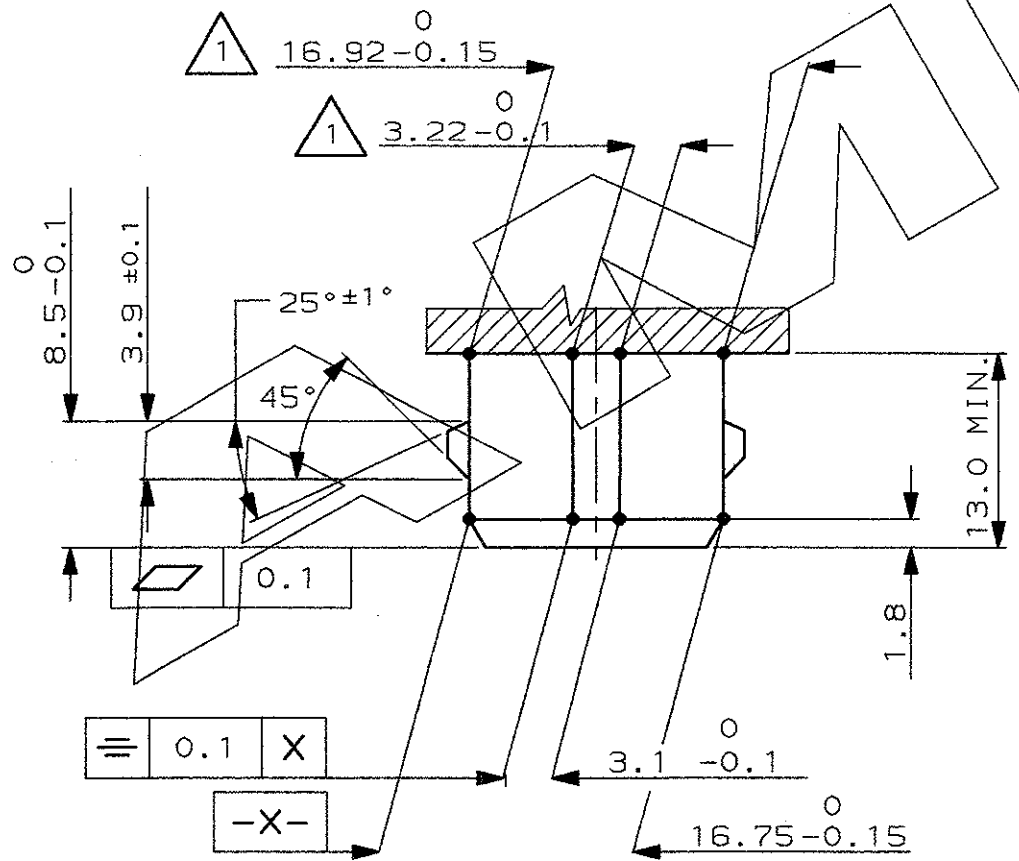
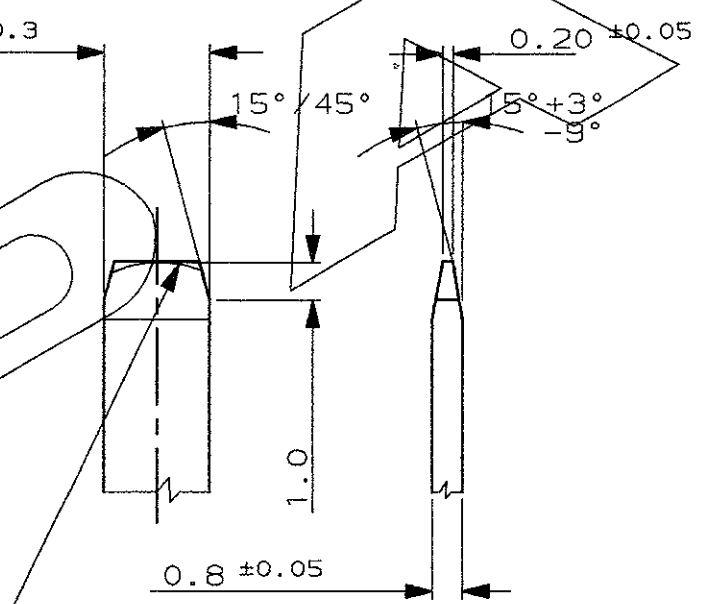
CUSTOMER DWG. FOR REFERENCE ONLY		DISEGNO PER CLIENTE SOLO PER RIFERIMENTO	
THIS DRAWING IS UNPUBLISHED		RELEASE FOR PUBLICATION	
© COPYRIGHT 19 BY AMP INCORPORATED, HARRISBURG, PA. ALL INTERNATIONAL RIGHTS RESERVED. AMP PRODUCTS MAY BE COVERED BY U.S. AND FOREIGN PATENT AND/OR PATENT PENDING			
TOLLERANZE, SE NON DIVERSAMENTE SPECIFICATO	DIAM. ISOLANTE (INS. DIA. RANGE)	RANGO FILO (WIRE RANGE)	SCALA (SCALE)
(TOLERANCES, UNLESS OTHERWISE SPECIFIED)	1.5-3.0 (REDUCED INS. CABLE)	0.5-2.5 mm ²	***
C1 REVISED PER ECO-20-003218	AP/VN 08MAY 2020		
C ECR-14-003472	MP 24MAR 2014	± 0.3	
B IN PRODUZIONE (RELEASED FOR PRODUCTION) EC ET00-0325-96	A.F. 26 JUL '96	ANGOLI (ANGLES) ± 2°	
A1 REVISED PER EC ET00-0096	A.F. 25 FEB '96	DIS. 22 DEC 95 (DR.) R. MARTINI RW	DESCRIZIONE (DESCRIPTION) 2 POS. SPLASH PROOF CONN. ASS'Y with SECONDARY LOCK
A FIRST ISSUE PER EC ET00-0004-96 (PROP. NO. WAS 95-51276)	R.M. 03-01 '96	CONT. 22 DEC 95 (CHK) C. TARTARI	
REV. (REV. LTR.)	REVISIONI (REVISION RECORD)	DIS. DATA (DR) (DATE)	APP. (APP.)
			LOC. SIZE NUMERO (DRG NO) I A3 C-282788
			REV. FOGLIO (SHEET) C1 1 DI (OF) 2

DISTRIBUZIONE (PRINT DIST.)



DETT. CONTATTO SC. 5:1
 (TAB DETAIL SC. 5:1)

- NOTE (NOTES):
- QUOTE APPLICABILI PER SFORMATURA PEZZO (RIGHT DIMENSIONS FOR EXTRACTION ITEM FROM THE MOULD)
 - MATERIALE CONTATTI: LEGA DI RAME STAGNATA, ES. OTTONE STAGNATO. (TAB MATERIAL: TINNED Cu ALLOY, E.G. TINNED BRASS)
 - MATERIALE BLOCCHETTO: TERMOPLASTICO CARICATO FIBRA VETRO. (HOUSING MATERIAL: THERMOPLASTIC GLASS FIBER FILLED).



REV.	REVISIONI (REVISION RECORD)	DIS. DATA (DR) (DATE)	APP. (APP.)	FINITURA / COLORE (FINISH / COLOUR)	MATERIALE (MATERIAL)	NUMERO (PART NUMBER)
SEE SHEET 1 OF 2				CUSTOMER DWG. FOR REFERENCE ONLY	DISEGNO PER CLIENTE SOLO PER RIFERIMENTO	19
				THIS DRAWING IS UNPUBLISHED RELEASE FOR PUBLICATION		
				© COPYRIGHT IS BY AMP INCORPORATED, HARRISBURG, PA. ALL INTERNATIONAL RIGHT RESERVED. AMP PRODUCTS MAY BE COVERED BY U.S. AND FOREIGN PATENT AND/OR PATENT PENDING		
				TOLLERANZE, SE NON DIVERSAMENTE SPECIFICATO (TOLERANCES, UNLESS OTHERWISE SPECIFIED)	DIAM. ISOLANTE (INS. DIA. RANGE)	RANGO FILO (WIRE RANGE)
				± 0.3	SEE SHEET 1	SEE SHEET 1
				ANGOLI (ANGLES)	SCALA (SCALE)	***
				± 2°	TE TE Connectivity	
				DIS. (DR.)	DESCRIZIONE (DESCRIPTION)	
				CONT. (CHK.)	2 POS. SPLASH PROOF CONN. ASS'Y with SECONDARY LOCK	
				SEE SHEET 1 OF 2	LOC. SIZE NUMERO (DWG NO)	REV. FOGLIO (SHEET)
					I A3 C-282788	C1 2 (OF) 2

DISTRIBUZIONE (PRINT DIST.)