

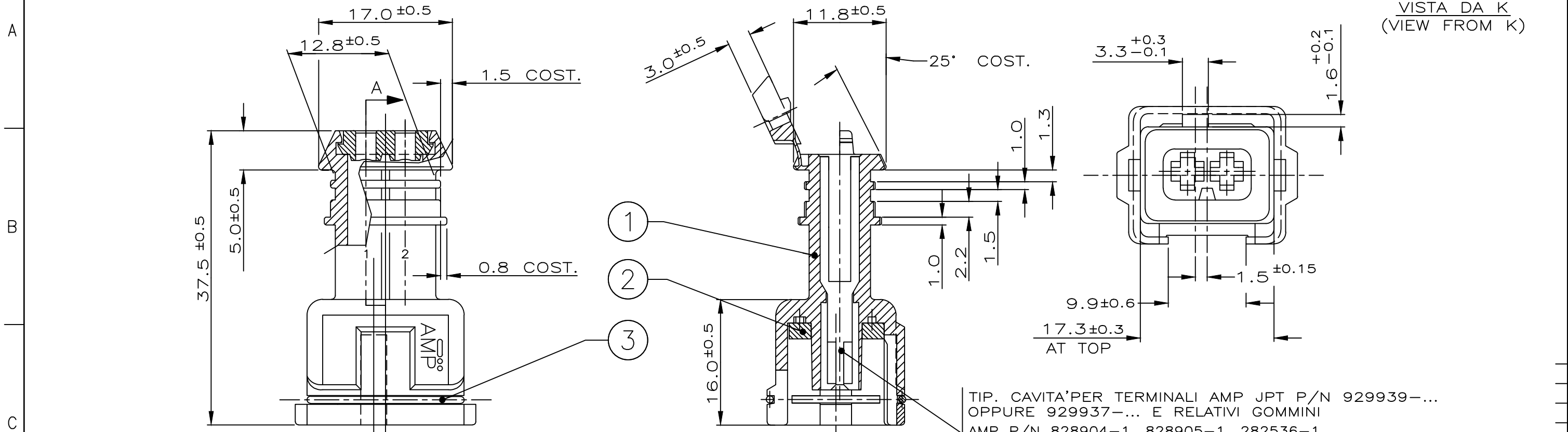
CONNETTORE TIPO B (CON MOLLA DI RITEGNO INTERNA)
CONNECTOR TYPE B (WITH INTERNAL SPRING)

SCALA NON IMPEGNATIVA
(DO NOT SCALE)
DIMENSIONI IN mm
(DIMENSIONS IN mm)

METRIC

PROIEZIONE EUROPEA
(EUROPEAN PROJECTION)

VISTA DA K
(VIEW FROM K)



SEZIONE A-A
(SECTION A-A)

TIP. CAVITA' PER TERMINALI AMP JPT P/N 929939-...
OPPURE 929937-... E RELATIVI GOMMINI
AMP P/N 828904-1, 828905-1, 282536-1.
TAPPO CAVITA' P/N 828906-2

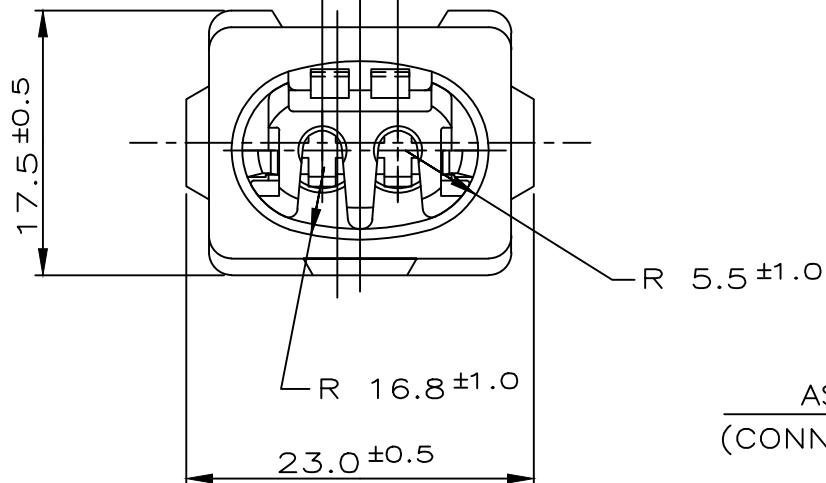
(TYP. CAV. FOR JPT CONT. P/N 929939-.. A/O 929937-.. AND REL.
SINGLE WIRE SEAL P/N 828904-1, 828905-1, 282536-1
CAVITY PLUG P/N 828906-2)

ASSE POLARIZ.
(POLARIZ. AXIS)

ASSE CAVITA'
(CAVITY CENTER LINE)

ASSE CONNETTORE
(CONNECTOR CENTER LINE)

PASSO 5.0 ± 0.15
(PITCH 5.0 ± 0.15)

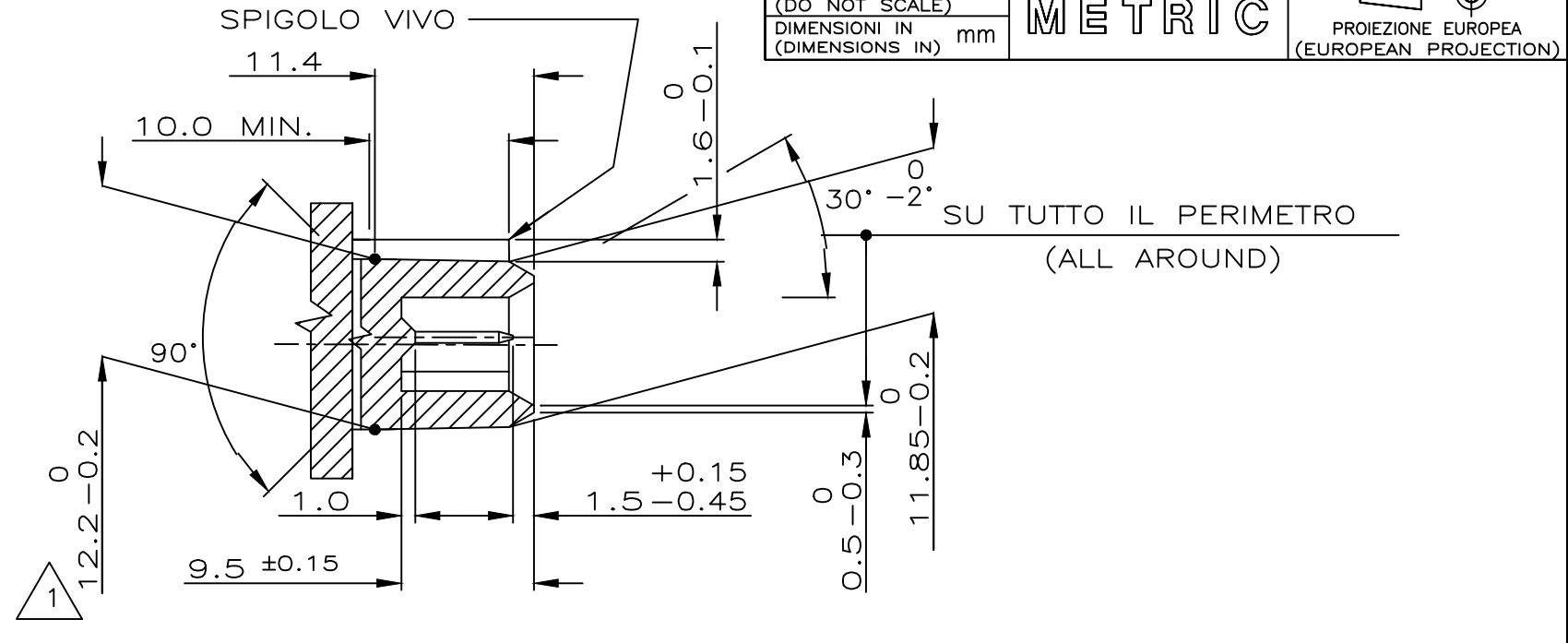
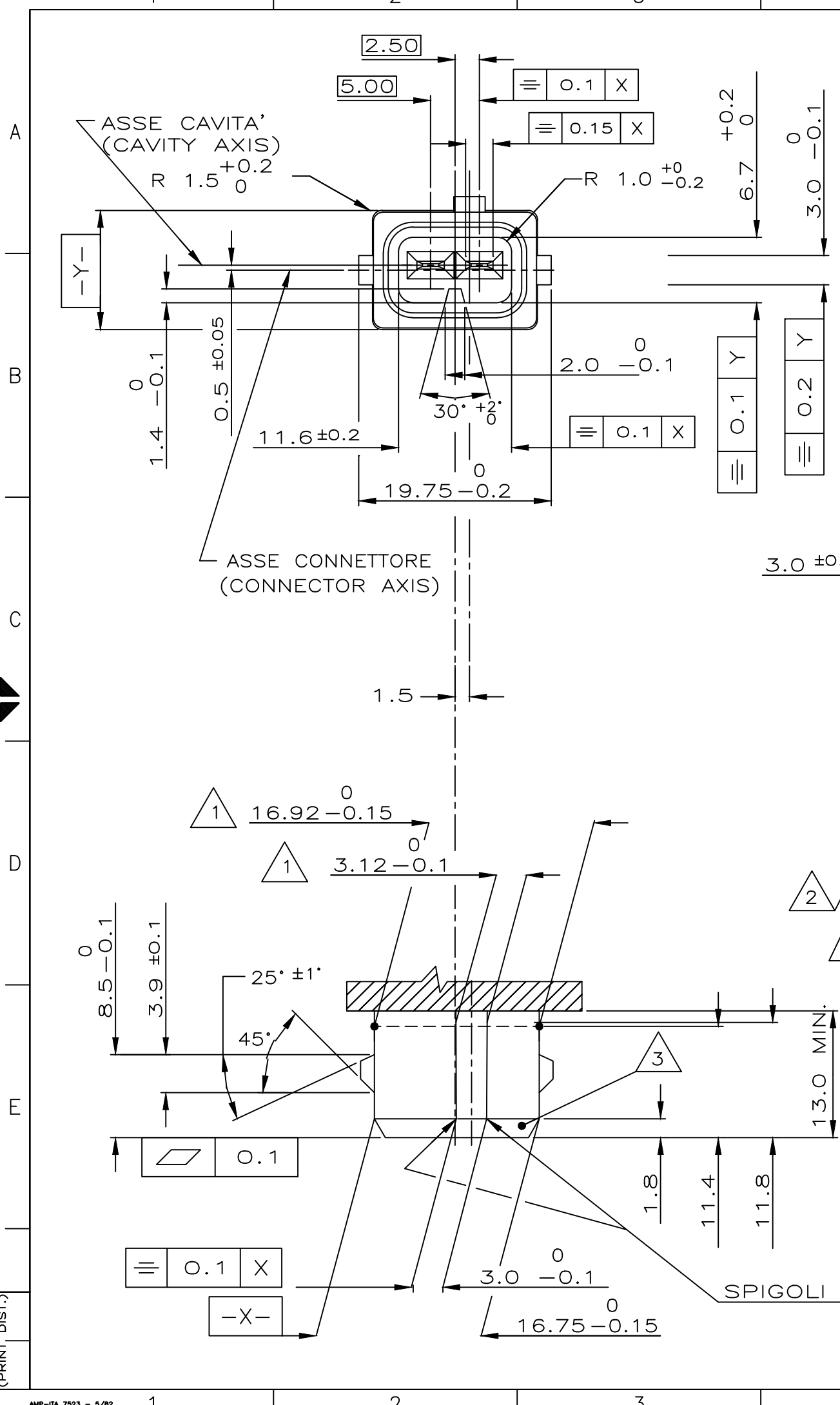


		3	//////	ACCIAIO INOX (STAINLESS STEEL)	MOLLA (SPRING)
		2	NATURALE (NATURAL)	GOMMA (SILICONE RUBBER)	GUARNIZIONE (RUBBER GASKET)
GRIGIO (GREY)	282648-2	1	//////	PA 6.6	BLOCCHETTO (HOUSING)
NERO (BLACK)	282648-1				
COLORE COLOR	NUMERO PART. N°	N° (ITEM)	FINITURA / COLORE (FINISH / COLOUR)	MATERIALE (MATERIAL)	DESCRIZIONE (DESCRIPTION)
		CUSTOMER DWG. FOR REFERENCE ONLY		DISEGNO PER CLIENTE SOLO PER RIFERIMENTO	
		THIS DRAWING IS UNPUBLISHED		RELEASE FOR PUBLICATION	19
		© COPYRIGHT 19 BY AMP INCORPORATED, HARRISBURG, PA. ALL INTERNATIONAL RIGHT RESERVED. AMP PRODUCTS MAY BE COVERED BY U.S. AND FOREIGN PATENT AND/OR PATENT PENDING			
		TOLLERANZE: SE NON DIVERSAMENTE SPECIFICATO		DIAM. ISOLANTE (INS. DIA. RANGE)	RANGO FILO (WIRE RANGE)
				1.5-3.0mm (REDUCED INS. CABLE)	0.5-2.5 mm ²
				SCALA (SCALE)	***
M 1	ECO-15-015249	M.P.	22OCT 2015		
M	ECR-14-003472	M.P.	24MAR 2014		
L 1	REVISED FOR EC ET00-0242-01	M.P.	8-10 '01		
L	REVISED FOR EC ET00-0370-96	A.F.	9-9 '96		
A	RELEASED FOR ET00-0027-95	R.M.	12-4 '95		
O	FIRST ISSUE	P.M.	14-1 '94		
REV.	REVISIONI (REVISION RECORD)	DIS. DATA (DR) (DATE)			
				LOC. SIZE (DWG NO)	REV. FOGLIO (SHEET)
				1 A3 C-282648	M1 1 (OF) 2

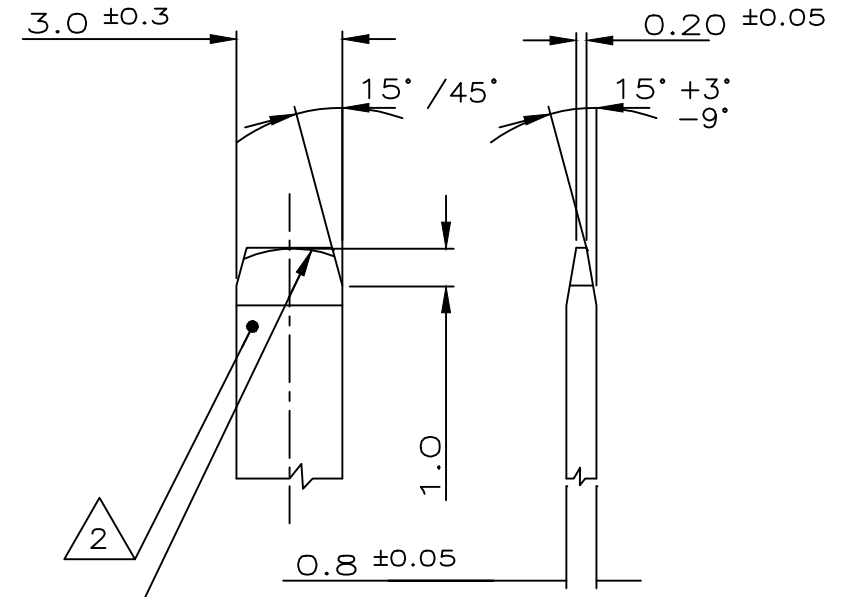
TE TE Connectivity

DESCRIZIONE
(DESCRIPTION)
2 W.SPLASH PROOF CONN.ASS'Y
with SECONDARY LOCK

DISTRIBUZIONE
(PRINT. DIST.)



DETT. CONTATTO SC. 5:1
 (TAB DETAIL SC. 5:1)



- 1 QUOTE APPLICABILI PER SFORMATURA PEZZO (RIGHT DIMENSIONS FOR EXTRACTION ITEM FROM THE MOULD)
- 2 MATERIALE CONTATTI: LEGA DI RAME STAGNATA, ES. OTTONE STAGNATO. (TAB MATERIAL: TINNED Cu ALLOY, E.G. TINNED BRASS)
- 3 MATERIALE BLOCCHETTO: TERMOPLASTICO CARICATO FIBRA VETRO. (HOUSING MATERIAL: THERMOPLASTIC GLASS FIBER FILLED).

FINITURA / COLORE (FINISH / COLOUR)		MATERIALE (MATERIAL)		NUMERO (PART NUMBER)	
CUSTOMER DWG. FOR REFERENCE ONLY		DISEGNO PER CLIENTE SOLO PER RIFERIMENTO		19	
THIS DRAWING IS UNPUBLISHED		RELEASE FOR PUBLICATION		© COPYRIGHT 19 BY AMP INCORPORATED, HARRISBURG, PA. ALL INTERNATIONAL RIGHT RESERVED. AMP PRODUCTS MAY BE COVERED BY U.S. AND FOREIGN PATENT AND/OR PATENT PENDING	
TOLLERANZE: SE NON DIVERSAMENTE SPECIFICATO (TOLERANCES: UNLESS OTHERWISE SPECIFIED)		DIAM. ISOLANTE (INS. DIA. RANGE)		RANGO FILO (WIRE RANGE)	
± 0.3		SEE SHEET 1		SEE SHEET 1 ***	
ANGOLI (ANGLES) ± 2°					
DIS. (DR.) -					
CONT. (CHK) -		DESCRIZIONE (DESCRIPTION) 2 W.SPLASH PROOF CONN.ASS'Y with SECONDARY LOCK			
SEE SHEET 1 OF 2		LOC. SIZE		NUMERO (DWG NO)	
REV. (REV. LTR.)		1 A3		C-282648	
REVISIONI (REVISION RECORD)		DIS. DATA (DR) (DATE)		REV. (REV.)	
				M1	
				FOGLIO (SHEET) 2 (OF) 2	