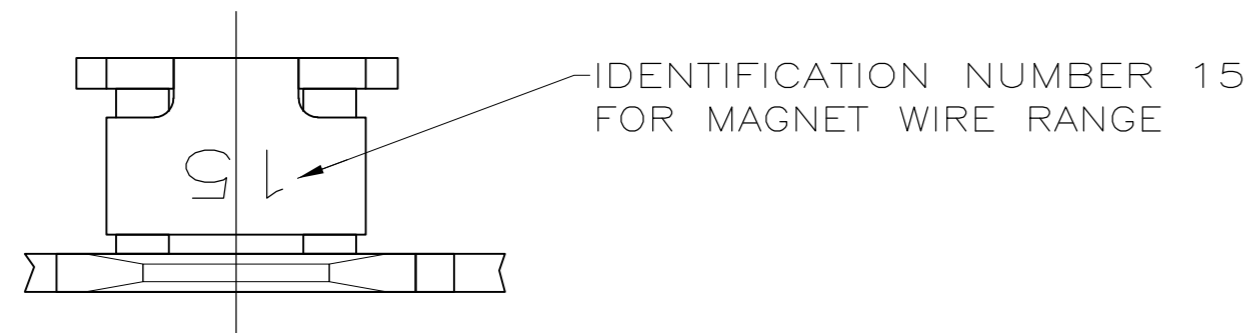
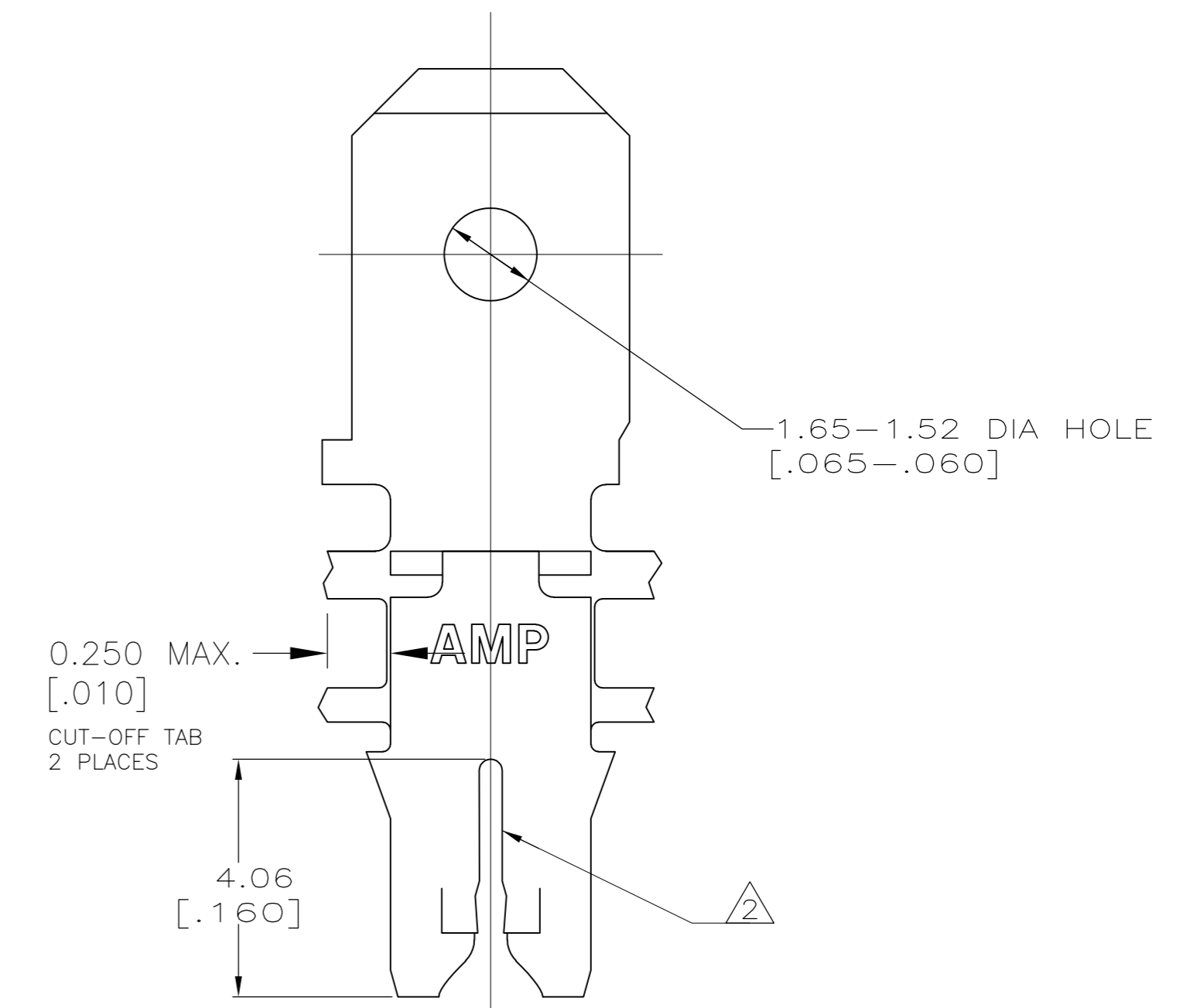
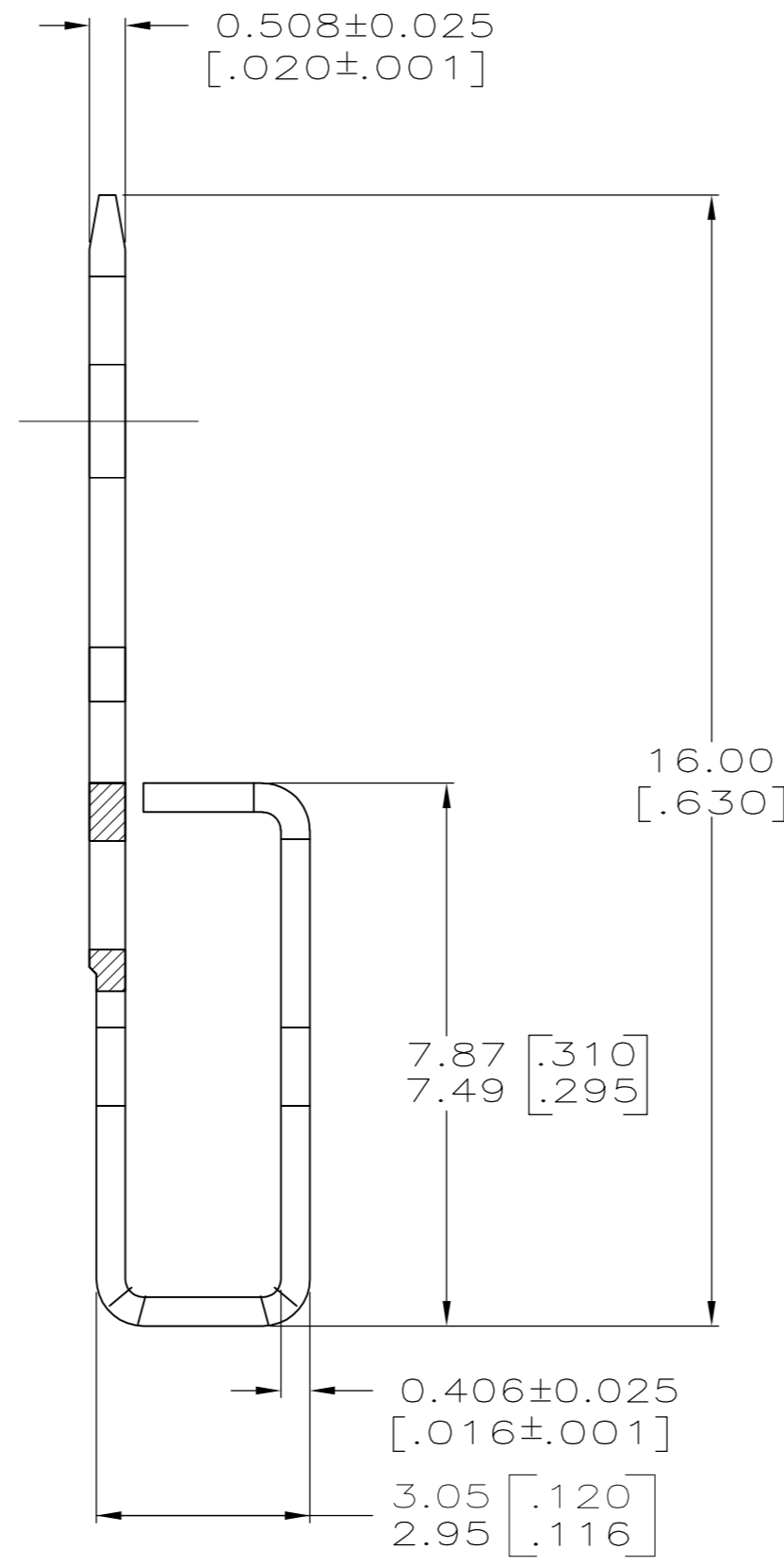
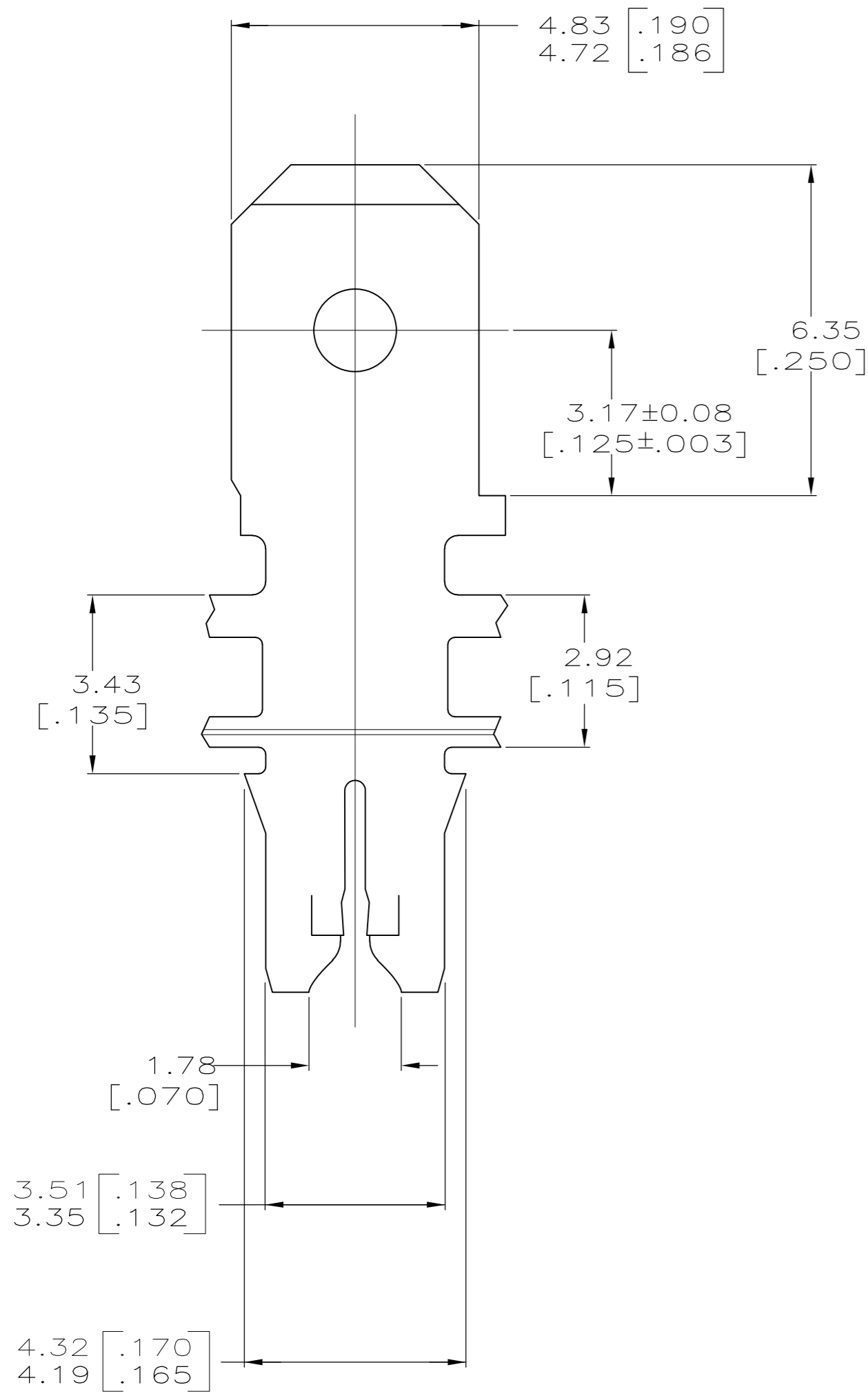


THIS DRAWING IS UNPUBLISHED. RELEASED FOR PUBLICATION APR ,2014.  
 © COPYRIGHT 2014 By TE CONNECTIVITY ALL RIGHTS RESERVED.

LOC	DIST	REVISIONS					
IR	50	P	LTR	DESCRIPTION	DATE	DWN	APVD
		1		PRELIMINARY ISSUE	30APR14	PKS	RRP



- 1 LOOSE PIECE VERSION
- 2 SLOT TERMINATES A SINGLE MAGNET WIRE ONLY. COPPER RANGE: 0.64-0.81mm [#22-#20] AWG.
- 3 AFTER INSERTION INTO PLASTIC HOLDER TAB PORTION MUST BE BENT OVER 45° TO 90° OR POTTED-IN TO PREVENT PULL-OUT WHEN MATING RECEPTACLE IS DISCONNECTED.
- 4 VARNISH RESIST COATED OVER TIN



PRELIMINARY

63663-1	TIN PLATED	BRASS	2825062-1
Strip	Finish	Material	Part Number

THIS DRAWING IS A CONTROLLED DOCUMENT.		DWN SENTHIL 29APR2014	<b>TE</b> TE Connectivity	
DIMENSIONS: INCHES		CHK SENTHIL 30APR2014		
TOLERANCES UNLESS OTHERWISE SPECIFIED:		APVD RAJENDRA 30APR2014	NAME	
0 PLC ± -		PRODUCT SPEC	TERMINAL, TAB, 4.75 [.187] FASTON, MAG-MATE	
1 PLC ± -		APPLICATION SPEC	SIZE	CAGE CODE
2 PLC ± 0.25 [.010]		108-2012	A2	00779
3 PLC ± -		114-2046	DRAWING NO	
4 PLC ± -		WEIGHT -	RESTRICTED TO	
ANGLES ± -		CUSTOMER DRAWING	SCALE 10:1 SHEET 1 of 1 REV 1	
FINISH SEE TABLE				