

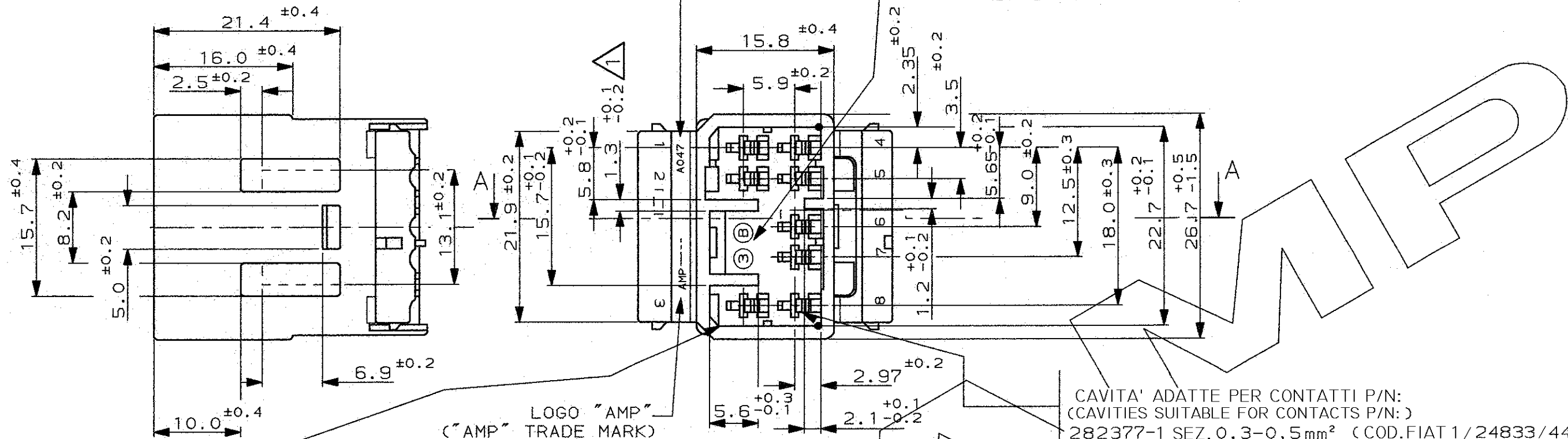
CODICE FORNITORE "A 047"  
(SUPPLIER CODE "A 047")

DATARIO  
(DATE CODE)

SCALA NON IMPEGNATIVA  
(DO NOT SCALE)  
DIMENSIONI IN mm  
(DIMENSIONS IN mm)

METRIC

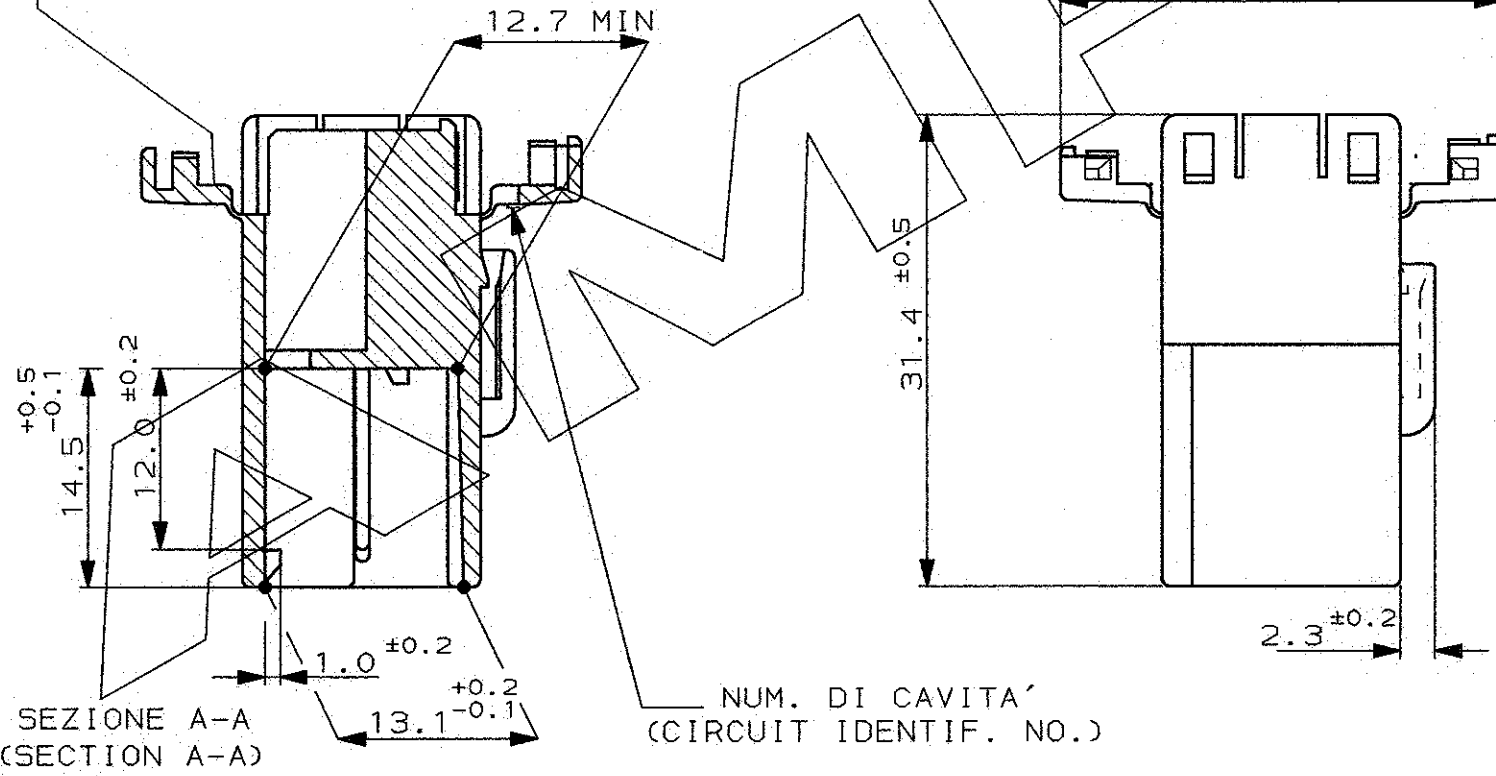
PROIEZIONE EUROPEA  
(EUROPEAN PROJECTION)



PER DETTAGLIO POLARIZZAZIONI VEDERE FOGLIO 2 DI 2  
PER P/NS CONTROPARTI PORTAFEMMINA, VEDERE TABELLA  
(FOR POLARIZATION DETAIL SEE SHEET 2 OF 2  
FOR COUNTERPART CAP HSG.P/NS SEE THE TABLE).

CAVITA' ADATTE PER CONTATTI P/N:  
(CAVITIES SUITABLE FOR CONTACTS P/N:)  
282377-1 SEZ. 0.3-0.5mm<sup>2</sup> (COD.FIAT 1/24833/44)  
282378-1 SEZ. 0.75-1.5mm<sup>2</sup> (COD.FIAT 1/24832/44)

NO. IMPRON. STAMPO  
(MOULD CAVITY IDENTIF. NO.)



1 QUOTA VALIDA PER VERSIONE 282370-1  
(VALID DIMENSION ONLY FOR P/N 282370-1)

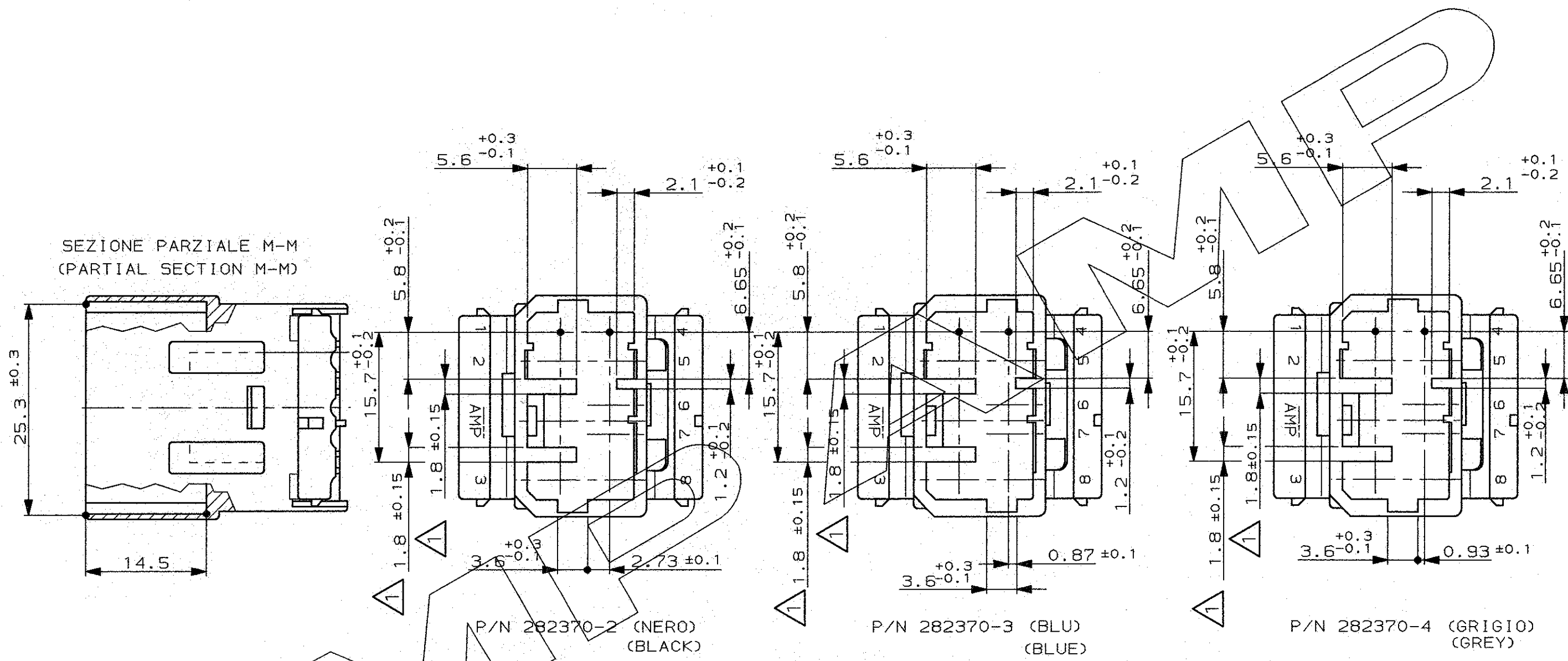
282366-4	GRIGIO (GREY)	PBT (PBT UNFILLED)	282370-4	
282366-3	BLU (BLUE)		282370-3	
282366-2	NERO (BLACK)		282370-2	
282366-1	BIANCO (NATURAL)		282370-1	
PORTAFEMMINA VOLANTE (PLUG HOUSING)		COLORE (COLOUR)	MATERIALE (MATERIAL)	NUMERO (PART NUMBER)

CUSTOMER DWG. FOR REFERENCE ONLY		DISEGNO PER CLIENTE SOLO PER RIFERIMENTO	
THIS DRAWING IS UNPUBLISHED		RELEASE FOR PUBLICATION	
© COPYRIGHT 19 BY AMP INCORPORATED, HARRISBURG, PA. ALL INTERNATIONAL RIGHTS RESERVED. AMP PRODUCTS MAY BE COVERED BY U.S. AND FOREIGN PATENT AND/OR PATENT PENDING			
TOLLERANZE: SE NON DIVERSAMENTE SPECIFICATO	DIAM. ISOLANTE (INS. DIA. RANGE)	RANGO FILO (WIRE RANGE)	SCALA (SCALE)
(TOLERANCES, UNLESS OTHERWISE SPECIFIED)			2:1
C2 REVISED PER ECR-13-004824	M.G. 26MAR 2013	± 0.3	
C1 REVISED FOR EC ET00-0298-97	A.B. 29-7 97	ANGOLI (ANGLES) ± 2°	
C RELEASED AND REVISED FOR ET00-0215-97	M.P. 19-5 97	DIS. GIORDANINO (COR.) 29 APR 92	
2 AGG. CODICE FIAT	R.M. 25-10 93	CONT. C. TARTARI (CHK) 25-10-93	
1 AGGIORNATO	R.M. 1-4 93	APP. DATA (APP.)	
REV. (REVISION RECORD)	DIS. DATA (COR)	LOC. SIZE NUMERO (DWG NO)	REV. FOGLIO (SHEET)
		I A3 C-282370	C2 1 D1 (OF) 2

DISTRIBUZIONE (PRINT DIST.)

RAPPRESENTAZIONE GRAFICA VERSIONI POLARIZZATE  
(DETAIL REPRESENTATION OF POLARIZATION VERSIONS)

A  
B  
C  
D  
E



SEZIONE PARZIALE M-M  
(PARTIAL SECTION M-M)

P/N 282370-2 (NERO)  
(BLACK)

P/N 282370-3 (BLU)  
(BLUE)

P/N 282370-4 (GRIGIO)  
(GREY)

1 QUOTA VALIDA PER VERSIONI 282370-2; -3; -4  
(VALID DIMENSION ONLY FOR 282370-2; -3; -4 VERSIONS)

CUSTOMER DWG. FOR REFERENCE ONLY		DISEGNO PER CLIENTE SOLO PER RIFERIMENTO	
THIS DRAWING IS UNPUBLISHED		RELEASE FOR PUBLICATION	
© COPYRIGHT 19 BY AMP INCORPORATED, HARRISBURG, PA. ALL INTERNATIONAL RIGHT RESERVED. AMP PRODUCTS MAY BE COVERED BY U.S. AND FOREIGN PATENT AND/OR PATENT PENDING			
TOLLERANZE, SE NON DIVERSAMENTE SPECIFICATO (TOLERANCES, UNLESS OTHERWISE SPECIFIED)		DIAM. ISOLANTE (INS. DIA. RANGE)	RANGO FILO (WIRE RANGE)
± 0.3		SCALA (SCALE)	
ANGOLI (ANGLES)		2:1	
DIS. (DR.)		DESCRIZIONE (DESCRIPTION) 070 SERIES MULTILOCK* CONN. CAP HOUSING 8 POSITION (PORTAMASCHI) DOUBLE ROW	
CONT. (CHK)		LOC. SIZE NUMERO (DWG NO)	REV. FOGLIO (SHEET)
REV. REVISIONI (REVISION RECORD)		APP. DATA (APP. DATE)	I A3 C-282370 02 2 DI (OF) 2

DISTRIBUZIONE  
(PRINT DIST.)