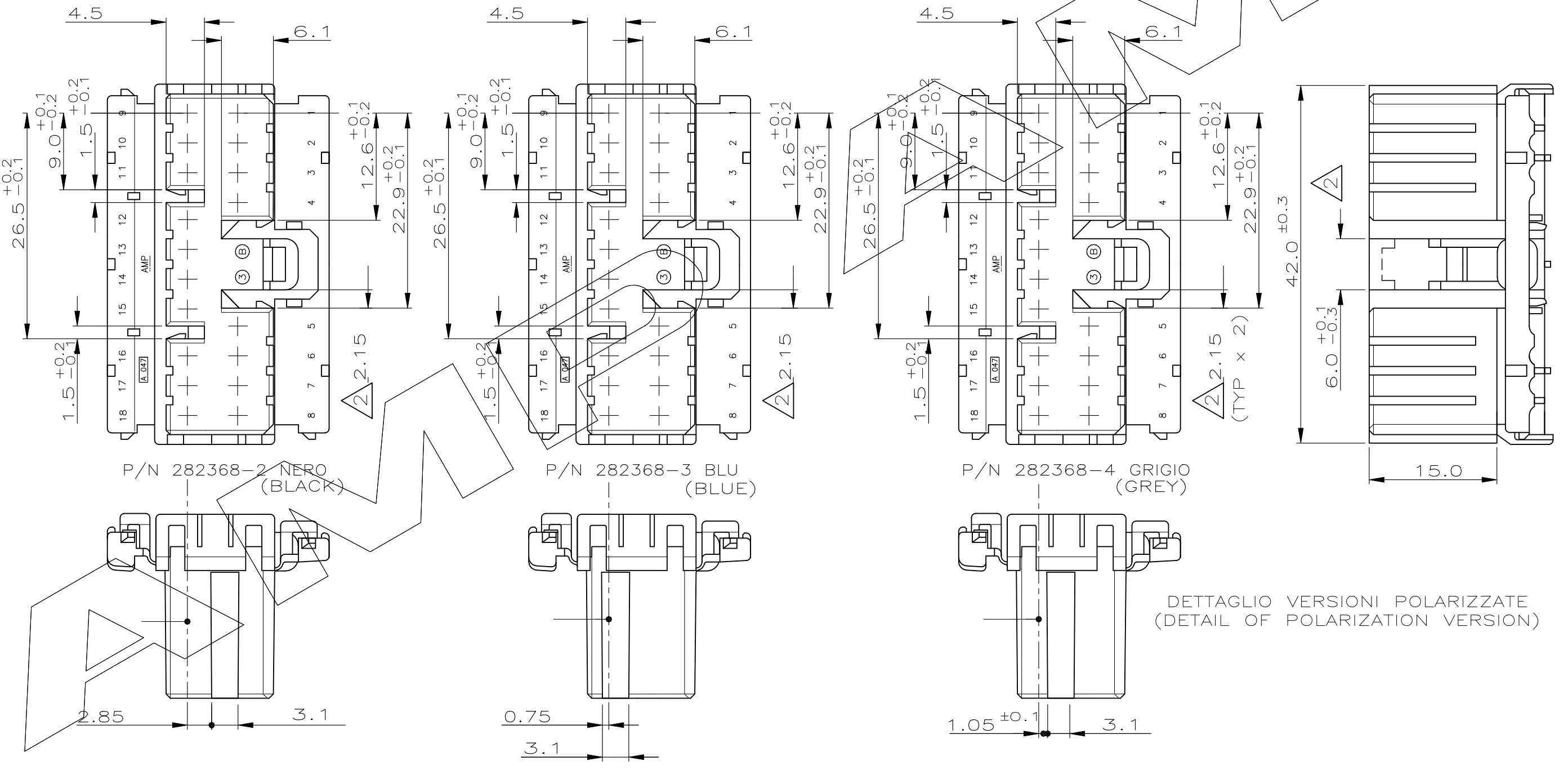
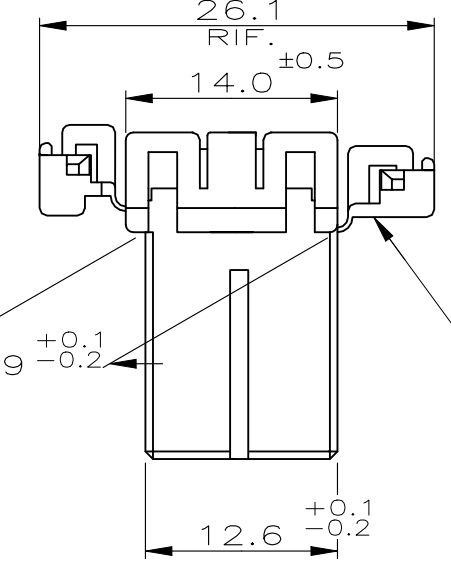
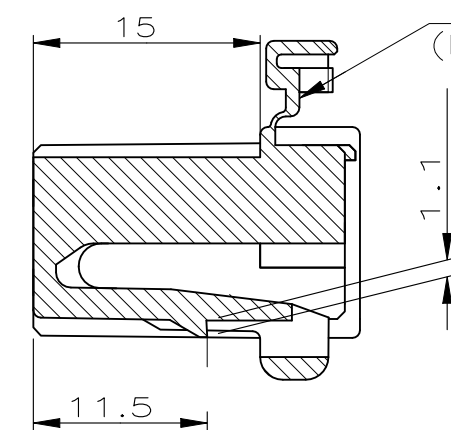
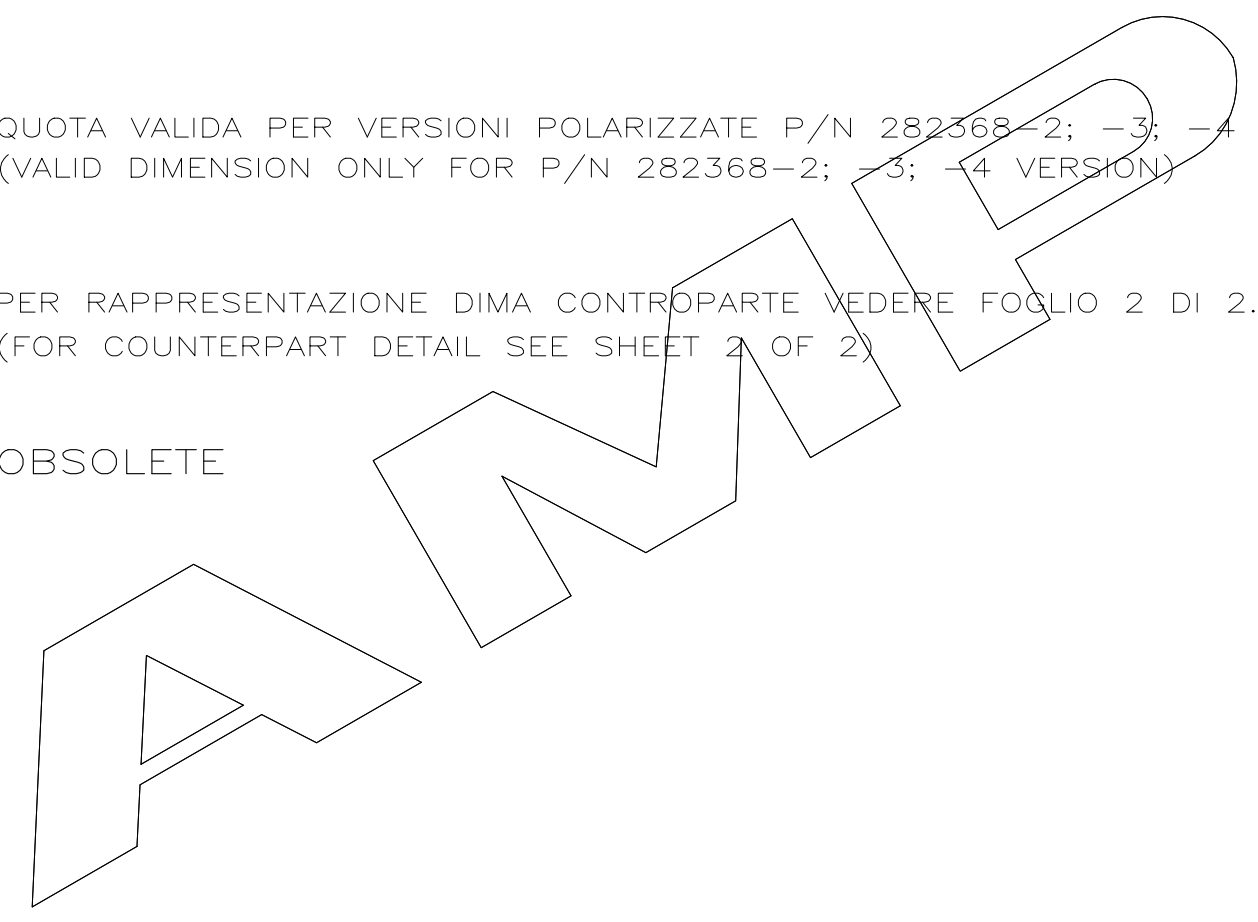


- 1 QUOTA VALIDA SOLO PER VERSIONE 282368-1 (VALID DIMENSION ONLY FOR 282368-1 VERSION)
- 2 QUOTA VALIDA PER VERSIONI POLARIZZATE P/N 282368-2; -3; -4 (VALID DIMENSION ONLY FOR P/N 282368-2; -3; -4 VERSION)
- 3) PER RAPPRESENTAZIONE DIMA CONTROPARTE VEDERE FOGLIO 2 DI 2. (FOR COUNTERPART DETAIL SEE SHEET 2 OF 2)
- 4 OBSOLETE



NON DISPONIBILE (NOT AVAILABLE)	282372-4	GRIGIO (GREY)	PBT (PBT UNFILLED)	282368-4
NON DISPONIBILE (NOT AVAILABLE)	282372-3	BLU (BLUE)		282368-3
NON DISPONIBILE (NOT AVAILABLE)	282372-2	NERO (BLACK)		282368-2
282631-1 VERS. ORIZZONTALE (HORIZONTAL VERS.)	282372-1	BIANCO (NATURAL)		282368-1
CONTROP. P.C.B. (P.C.B. HEADER ASSY)	PORTAMASCHI VOLANTE (CAP HOUSING)	COLORE (COLOUR)	MATERIALE (MATERIAL)	NUMERO (PART NUMBER)

CUSTOMER DWG. FOR REFERENCE ONLY		DISEGNO PER CLIENTE SOLO PER RIFERIMENTO	
THIS DRAWING IS UNPUBLISHED - RELEASE FOR PUBLICATION 19		© COPYRIGHT 19 BY AMP INCORPORATED, HARRISBURG, PA. ALL INTERNATIONAL RIGHT RESERVED. AMP PRODUCTS MAY BE COVERED BY U.S. AND FOREIGN PATENT AND/OR PATENT PENDING	
TOLLERANZE: SE NON DIVERSAMENTE SPECIFICATO (TOLERANCES: UNLESS OTHERWISE SPECIFIED)	DIAM. ISOLANTE (INS. DIA. RANGE)	RANGO FILO (WIRE RANGE)	SCALA (SCALE)
± 0.3			2:1
ANGOLI (ANGLES)	± 2°		
B2 REVISI... (REVISION RECORD)	AP... (DATE)	DIS. M. PALMA (DR.) 18 JUN '97	DESCRIZIONE (DESCRIPTION) 070 SERIES MULTILOCK* CONN.PLUG HOUSING 18 POSITION (PORTAFEMMINE) DOUBLE ROW
1 AGGIORNATO (REVISED)	R.M. 1-4 93 (CHK)	C.TARTARI (CHK) 18 JUN '97	LOC. SIZE NUMERO (DWG NO)
A2	C-282368	B2	FOGLIO (SHEET) 1 OF 2

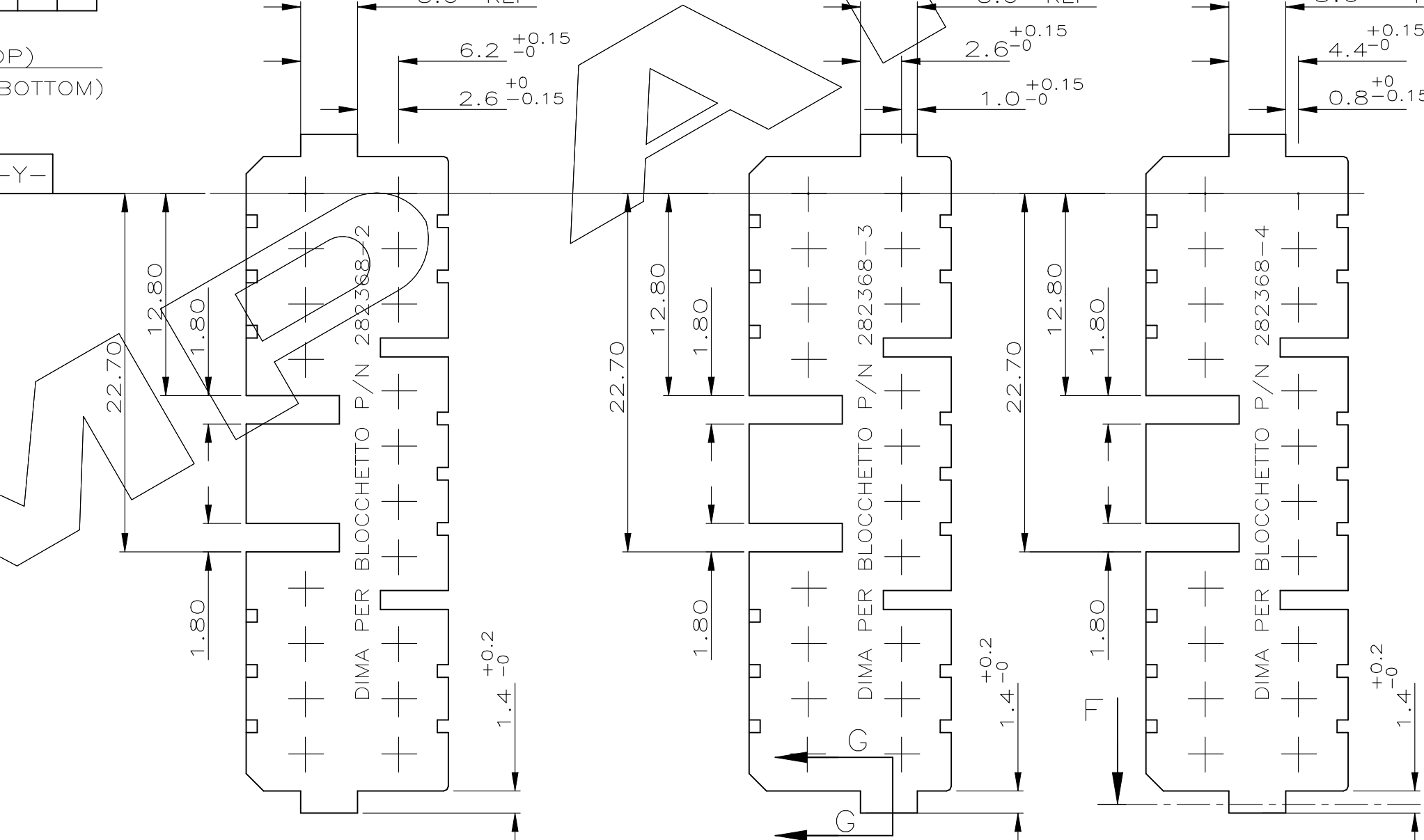
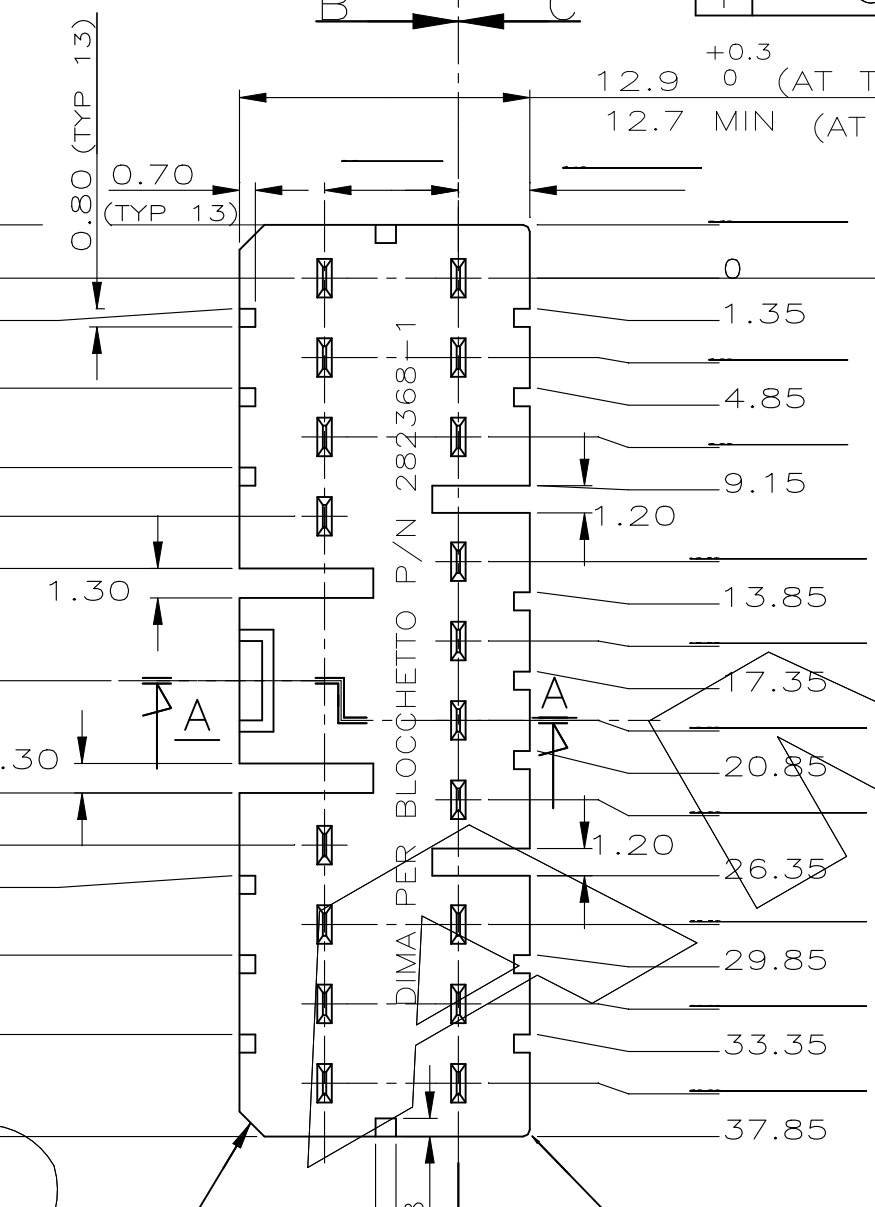
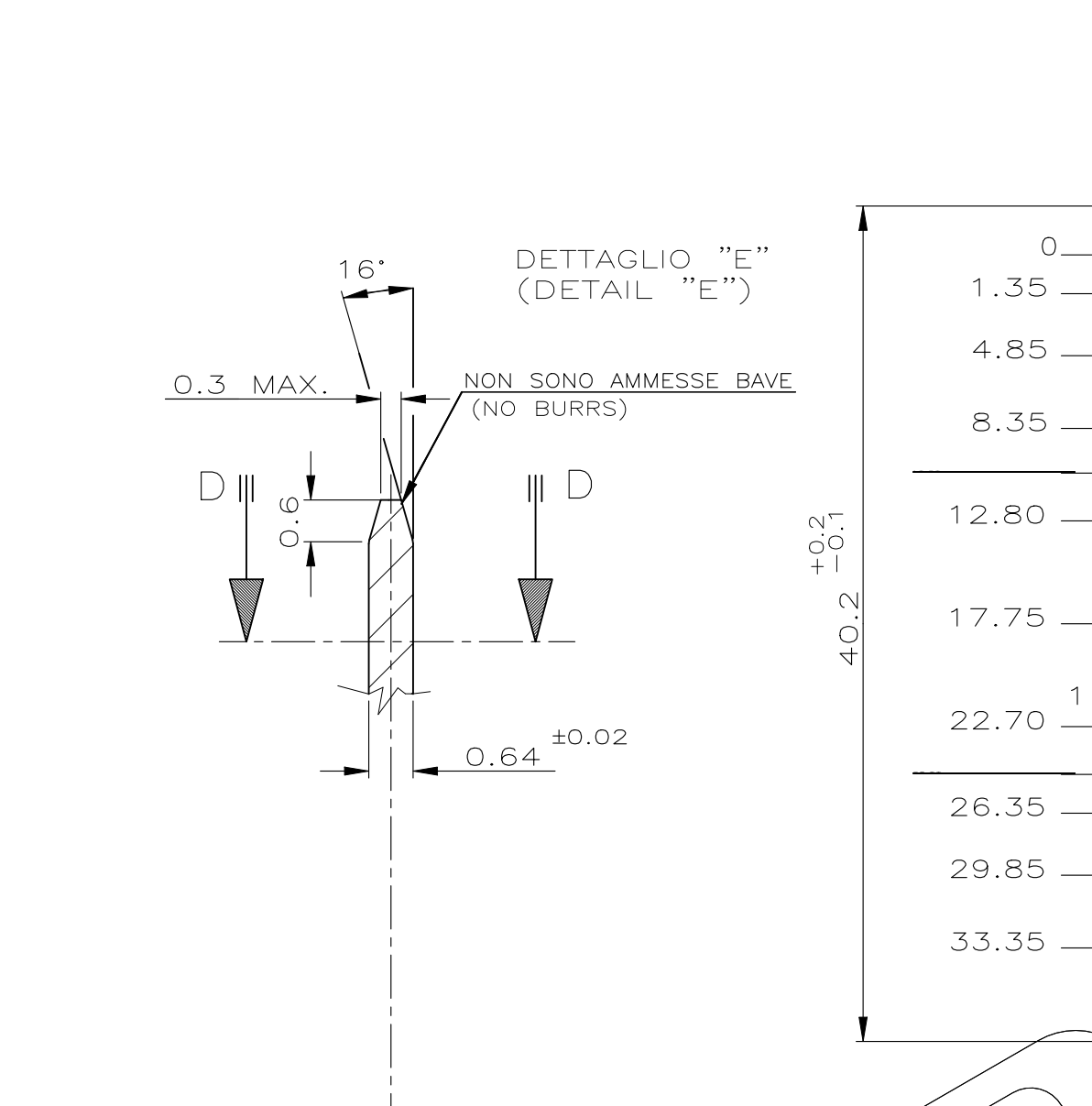
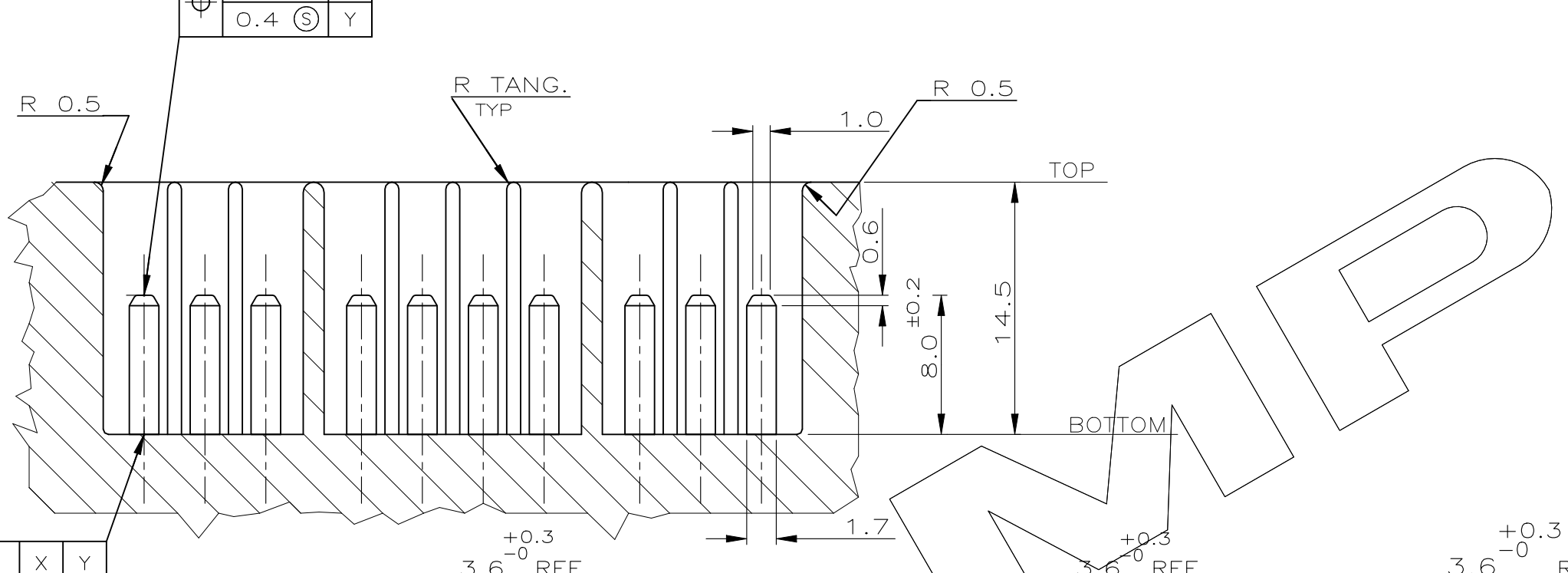
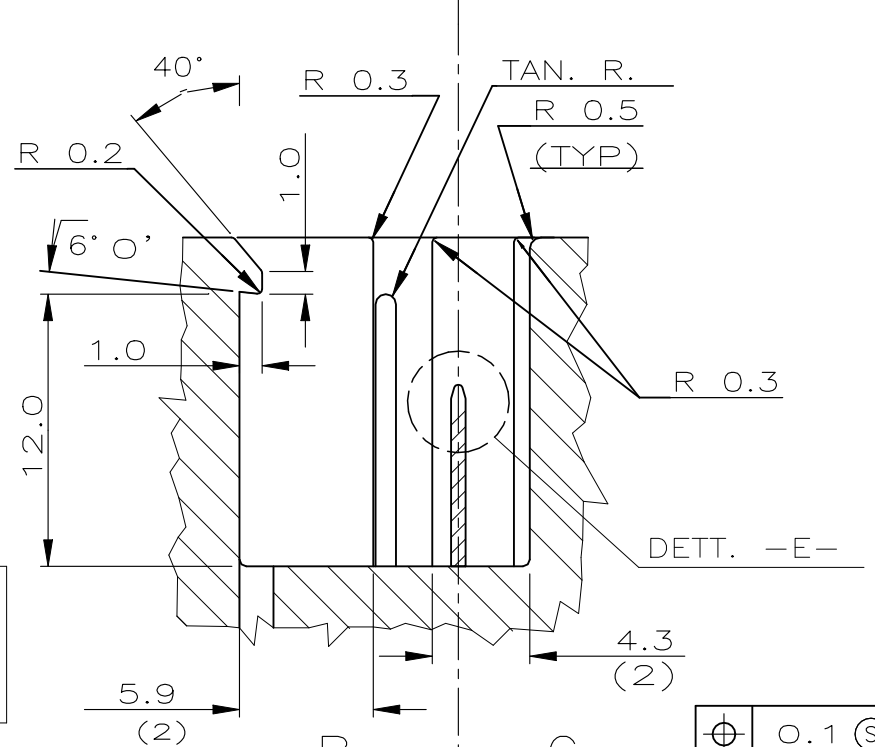
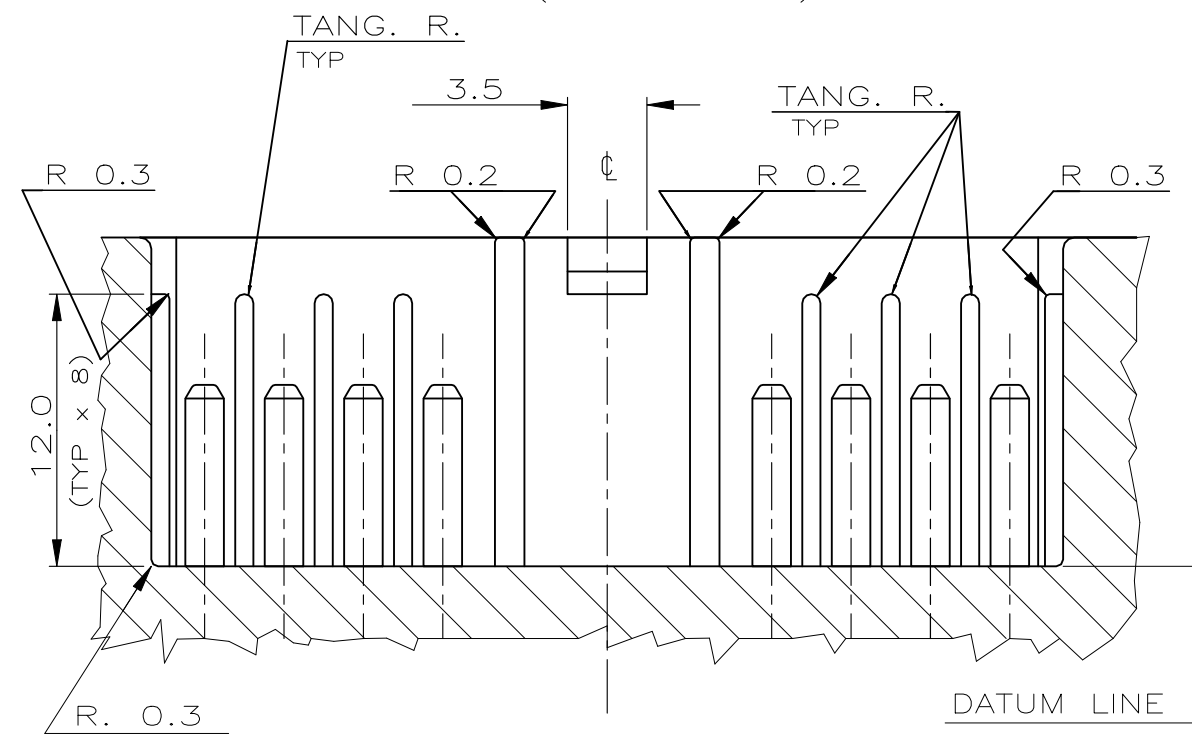
THIS INFORMATION IS CONFIDENTIAL AND IS DISCLOSED TO YOU ON CONDITION THAT NO FURTHER DISCLOSURE IS MADE BY YOU TO OTHER THAN AMP PERSONNEL WITHOUT WRITTEN AUTHORIZATION FROM AMP ITALIA S.p.A.

PRINT DIST.

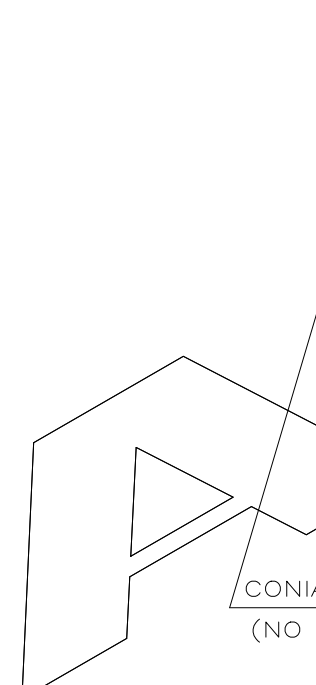
SEZIONE A-A
(SECTION A-A)

SEZIONE C-C
(SECTION C-C)

SEZIONE B-B
(SECTION B-B)



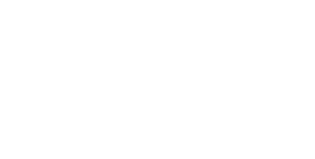
SEZIONE D-D
(SECTION D-D)



SEZIONE G-G
(SECTION G-G)



SEZIONE F-F
(SECTION F-F)



MAT: OTTONE TEMPRA 4, STAGNATO
(TAB: BRASS TEMPER 4, TIN PLATED)

CONIARE LE BAVE DI TRANCIATURA
(NO TRIMMING BURRS ADMITABLE)

THIS INFORMATION IS CONFIDENTIAL AND IS DISCLOSED TO YOU ON CONDITION THAT NO FURTHER INFORMATION IS MADE BY YOU TO OTHER THAN AMP PERSONNEL WITHOUT WRITTEN AUTHORIZATION FROM AMP ITALIA S.p.A.

DO NOT SCALE		UNLESS OTHERWISE SPECIFIED	
REMOVE BURRS BREAK EDGES	METRIC (mm)		INCHES (")
SURFACE TEXTURE	✓		
Q.TY REQ'D PER UNIT	EUROPEAN PROJECTION	THIRD ANGLE PROJECTION	
MATL.	0 DEC. PLACE ±0.3 1 DEC. PLACE ±0.1 2 DEC. PLACE ±0.05	2 DEC. PLACE ±0.2 3 DEC. PLACE ±0.03 4 DEC. PLACE ±0.002	
HT.TR.	ANGLES ±0° 30'		
FINISH	SCALE	TE CONNECTIVITY	
DR.	NAME	070 SERIES MULTILOCK* CONN 18 POS. DOUBLE ROW (DIME DI MONTAGGIO)	
CHK.	LOC. SIZE SHEET	DWG. NO.	REV.
APP.	1 A2 2 of 2	C-282368	B2
REV. LTR.	REVISION RECORD	DR. DATE	E.C.N.