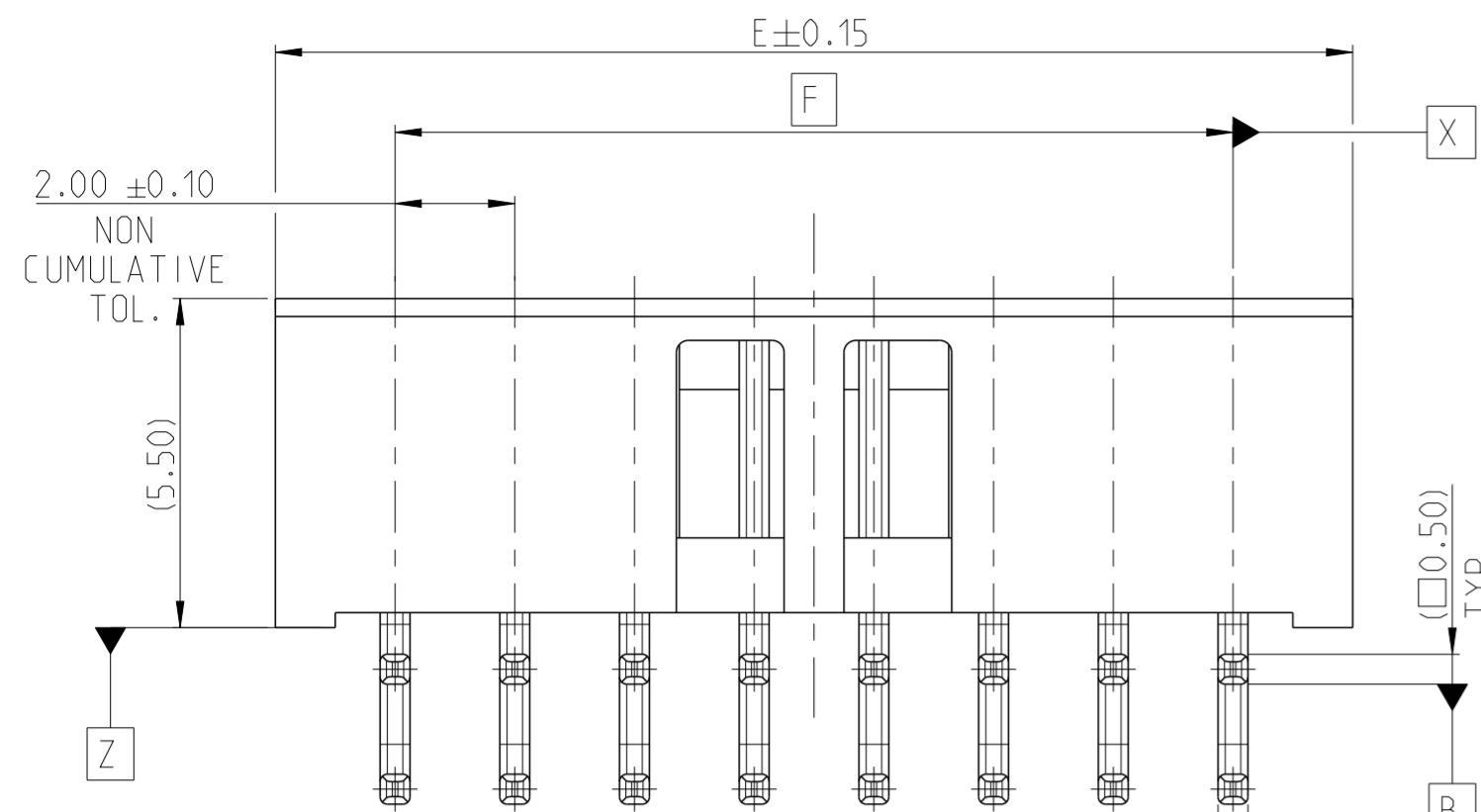
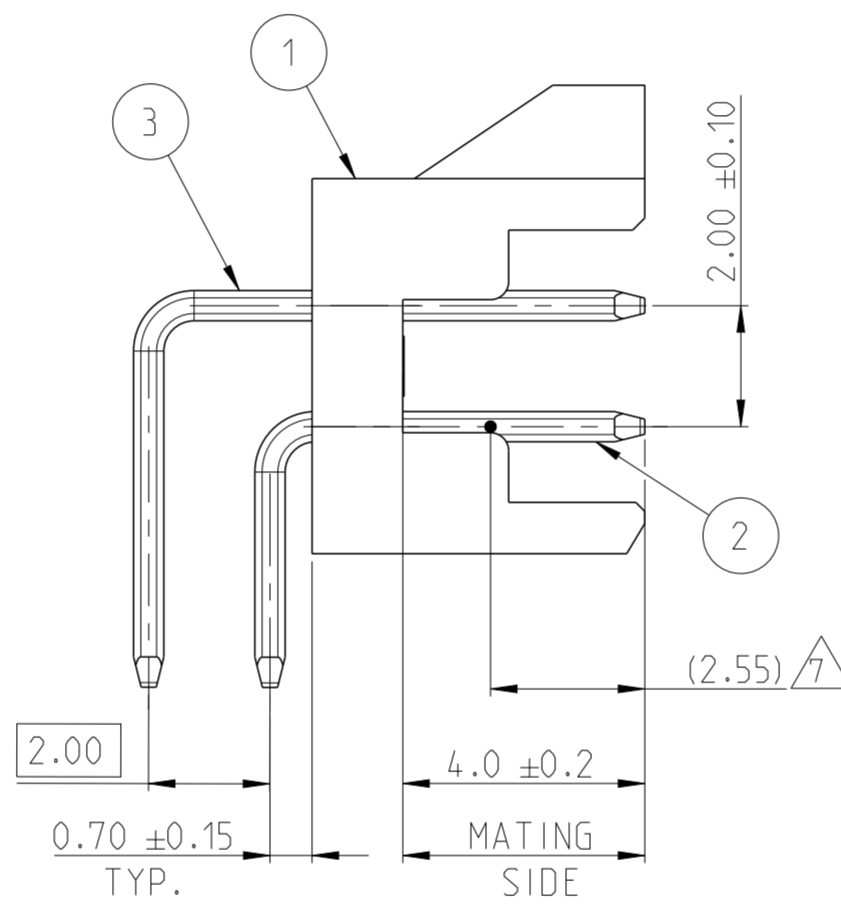
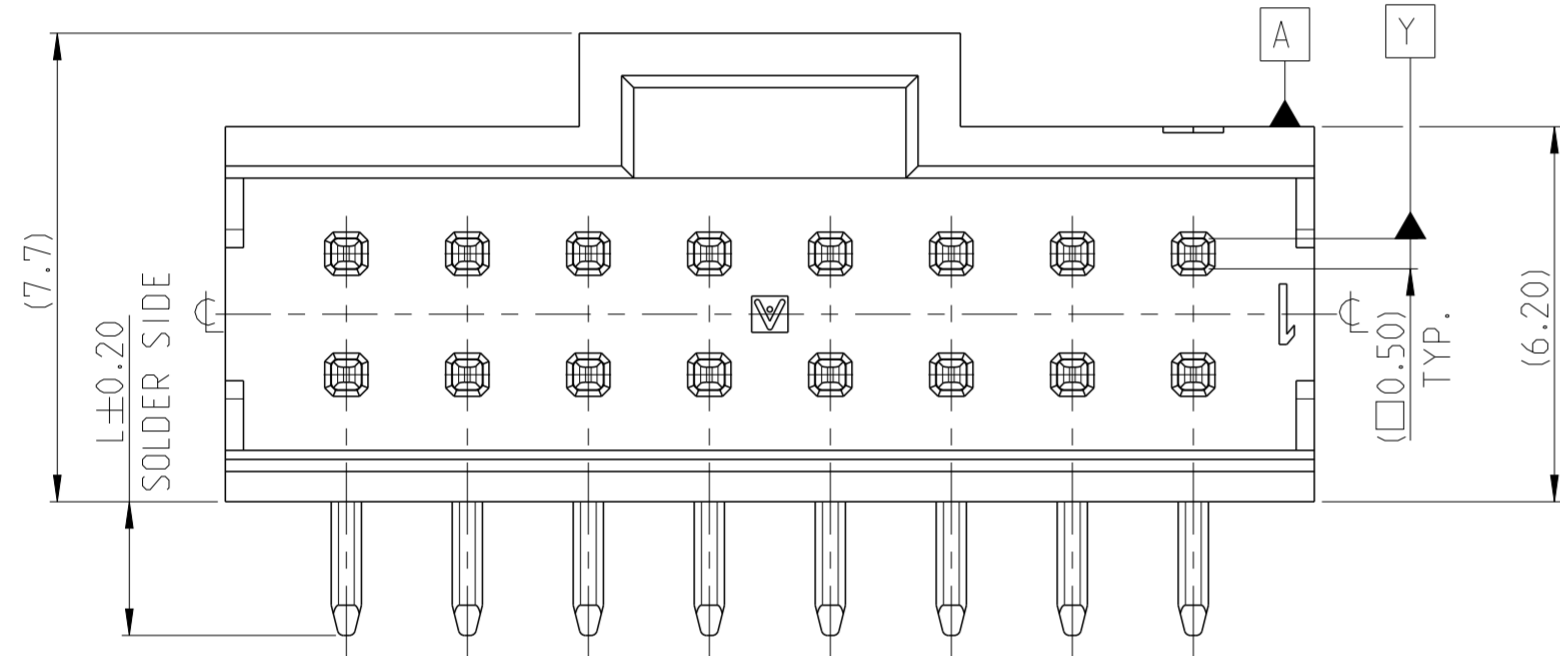


P	LTR	DESCRIPTION	DATE	DWN	APVD
A		RELEASE TO PRODUCTION	20SEP2022	DK	PS
A1		BASE NO ADDED WITH REFERENCE TO THE SMART PN	03NOV2023	Ka	SS



POST 2	3
POST 1	2
HOUSING	1
DESCRIPTION	ITEM

0.50 ± 0.03 TYP.
$\text{Ø} 0.35$ A B X



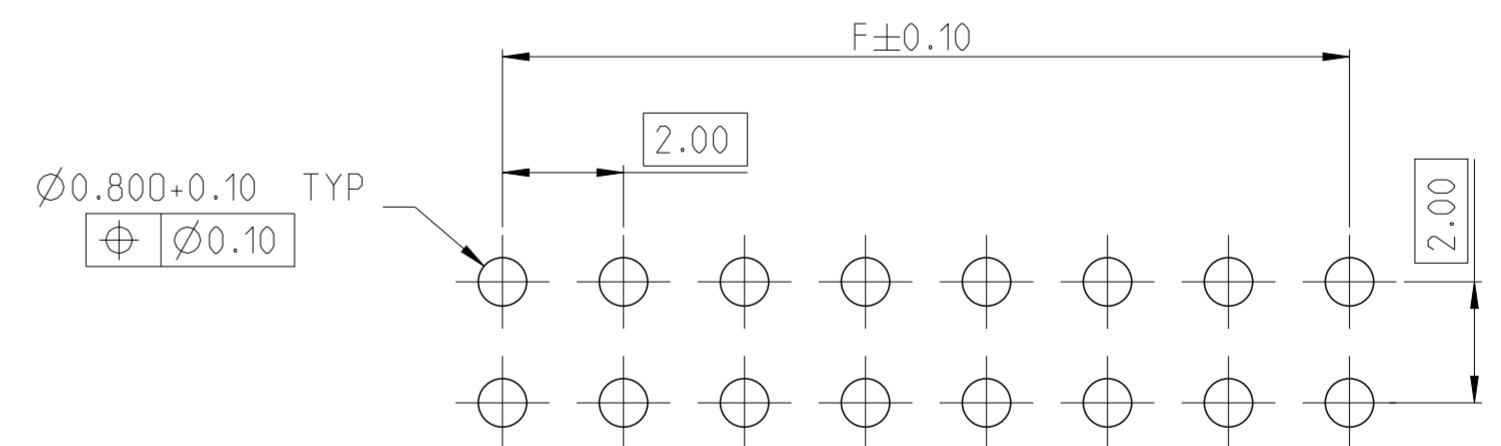
NOTES:

1. MATERIAL: HOUSING & P&P: HIGH TEMPERATURE THERMOPLASTIC, UL94-V0; COLOR- BLACK
POST: PHOSPHOR BRONZE

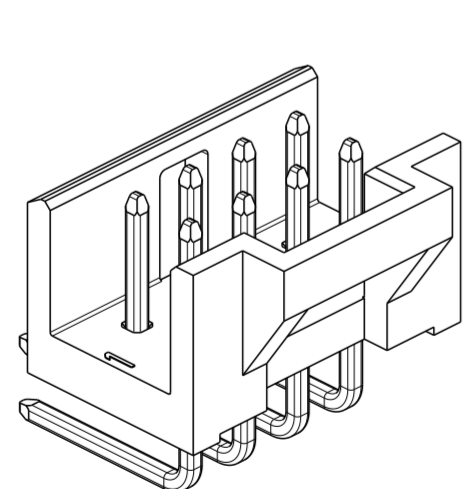
FINISH:

- 2 3-5 μm TIN OVER MIN. 1.27 μm NICKEL UNDER PLATING.
- 3 MATING SIDE: MIN. 0.38 μm SELECTIVE GOLD OVER MIN. 1.27 μm NICKEL UNDER PLATING.
SOLDER SIDE: 4-6 μm TIN OVER MIN. 1.27 μm NICKEL UNDER PLATING.
- 4 MATING SIDE: MIN. 0.76 μm SELECTIVE GOLD OVER MIN. 1.27 μm NICKEL UNDER PLATING.
SOLDER SIDE: 4-6 μm TIN OVER MIN. 1.27 μm NICKEL UNDER PLATING.
- 5. FOR SMART PART NUMBER, NO. OF POSITIONS PER CONNECTOR HAS TO BE ADDED NEXT TO NO. OF ROWS (2MM-HSP-D__HT-__-__-__). REFER SHEET 2 NOMENCLATURE.

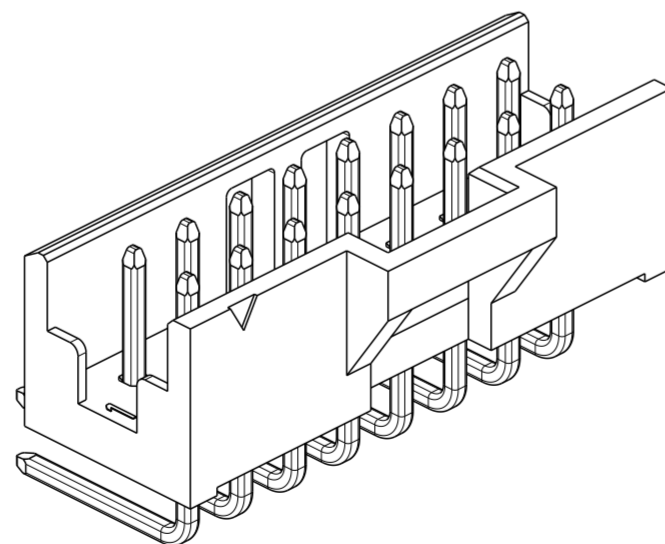
FOR EXAMPLE: 2MM-HSP-D03-HT-01-T-TB = 6 POSITION.
2MM-HSP-D16-HT-01-T-TB = 32 POSITION.
- 6. PACKAGING: A. TAPE & REEL WITHOUT (W/O) CAP.
B. TUBE WITHOUT (W/O) CAP.
- 7 PLATING THICKNESS MEASUREMENT POINT REFERENCE FOR SELECTIVE GOLD PLATING
- 8. "L" DENOTES TAIL LENGTH



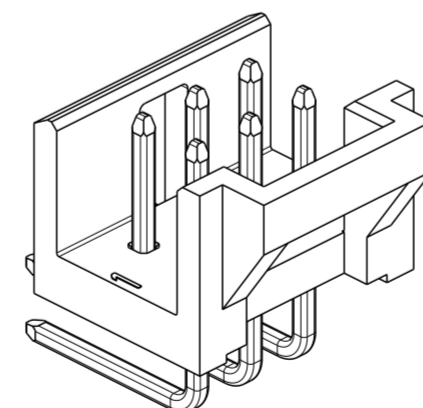
RECOMMENDED PCB HOLE PATTERN FOR THROUGH HOLE WAVE



-8 AS SHOWN



1- -6 AS SHOWN



-6 AS SHOWN

THIS DRAWING IS A CONTROLLED DOCUMENT.		DWN R R NAYAK 27 JUN 2016	TE Connectivity	
DIMENSIONS: mm		CHK KARTHIK J K 27 JUN 2016		
TOLERANCES UNLESS OTHERWISE SPECIFIED:		APVD PRASHANTH S 27 JUN 2016	NAME AMPMODU 2mm SHROUDED MTE HEADER DUAL ROW ,RIGHT ANGLE	
0 PLC ±	1 PLC ±0.1	PRODUCT SPEC 108-64040	SIZE A2	CAGE CODE 00779
2 PLC ±0.05	3 PLC ±	APPLICATION SPEC 114-64040	DRAWING NO C-2823224	RESTRICTED TO -
4 PLC ±	ANGLES ±2°	WEIGHT	SCALE 8:1	SHEET 1 OF 3
MATERIAL SEE NOTES	FINISH SEE NOTES	CUSTOMER DRAWING	REV A1	

P	LTR	DESCRIPTION	DATE	DWN	APVD
-		SEE SHEET 1	-	-	-

SMART PART NUMBER
 2MM - HSP - D ___ - HT - ___ - ___ - ___

PRODUCT SERIES

2MM | AMPMODU 2mm series

GENDER / TYPE

HSP | Shrouded headers for positive latch

NUMBER OF ROWS

D | Double row

NUMBER OF PINS PER ROW

XX | 03 through 16 (enter two digits)

ORIENTATION & TERMINATION

HT | Horizontal through hole

PACKAGING

TB	Tube without cap
TR	Tape and reel without cap

PLATING


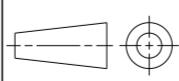
T	Tin
M	0.38 μm selective Gold
H	0.76 μm selective Gold

TAIL LENGTH (L)

01	2.2 mm
02	2.8 mm




SMART PN EXAMPLES :

1. AMPMODU 2MM, SHROUDED HEADER CENTER LATCH VERSION, DOUBLE ROW, 03 POSITION PER ROW, RIGHT ANGLE MOUNT, 2.2MM SOLDER TAIL LENGTH, TIN PLATING, TUBE W/O CAP
 2MM-HSP-D03-HT-01-T-TB
2. AMPMODU 2MM, SHROUDED HEADER CENTER LATCH VERSION, DOUBLE ROW, 16 POSITION PER ROW, RIGHT ANGLE MOUNT, 2.8MM SOLDER TAIL LENGTH, 0.76 μm SELECTIVE GOLD PLATING, TAPE AND REEL WITHOUT CAP
 2MM-HSP-D16-HT-02-H-TR


THIS DRAWING IS A CONTROLLED DOCUMENT.		DWN R R NAYAK 27 JUN 2016	 TE Connectivity		
DIMENSIONS: mm 		CHK KARTHIK J K 27 JUN 2016			
TOLERANCES UNLESS OTHERWISE SPECIFIED: 0 PLC ± 1 PLC ±0.1 2 PLC ±0.05 3 PLC ± 4 PLC ± ANGLES ±2°		APVD PRASHANTH S 27 JUN 2016	NAME AMPMODU 2mm SHROUDED MTE HEADER DUAL ROW ,RIGHT ANGLE		
MATERIAL SEE NOTES		PRODUCT SPEC 108-64040	SIZE A2	CAGE CODE 100779	DRAWING NO C-2823224
FINISH SEE NOTES		APPLICATION SPEC 114-64040	RESTRICTED TO -	SCALE 1:1 SHEET 2 OF 3 REV A1	
		WEIGHT -	CUSTOMER DRAWING		

REVISIONS

P	LTR	DESCRIPTION	DATE	DWN	APVD
-		SEE SHEET 1	-	-	-

TE INTERNAL BASE NO.	PACKAGING TYPE	MATING SIDE PLATING FINISH	SOLDER TAIL LENGTH "L"	SMART PN
2823224	TUBE W/O CAP	TIN 	2.2	2MM-HSP-DXX-HT-01-T-TB
2823547	TAPE AND REEL W/O CAP		2.2	2MM-HSP-DXX-HT-01-T-TR
2823409	TUBE W/O CAP		2.8	2MM-HSP-DXX-HT-02-T-TB
2823550	TAPE AND REEL W/O CAP		2.8	2MM-HSP-DXX-HT-02-T-TR
2823228	TUBE W/O CAP	SELECTIVE Au 0.38 μm 	2.2	2MM-HSP-DXX-HT-01-M-TB
2823548	TAPE AND REEL W/O CAP		2.2	2MM-HSP-DXX-HT-01-M-TR
2823410	TUBE W/O CAP		2.8	2MM-HSP-DXX-HT-02-M-TB
2823551	TAPE AND REEL W/O CAP		2.8	2MM-HSP-DXX-HT-02-M-TR
2823232	TUBE W/O CAP	SELECTIVE Au 0.76 μm 	2.2	2MM-HSP-DXX-HT-01-H-TB
2823549	TAPE AND REEL W/O CAP		2.2	2MM-HSP-DXX-HT-01-H-TR
2823411	TUBE W/O CAP		2.8	2MM-HSP-DXX-HT-02-H-TB
2823552	TAPE AND REEL W/O CAP		2.8	2MM-HSP-DXX-HT-02-H-TR

30	34	16	32	3- -2
28	32	15	30	3- -0
26	30	14	28	2- -8
24	28	13	26	2- -6
22	26	12	24	2- -4
20	24	11	22	2- -2
18	22	10	20	2- -0
16	20	9	18	1- -8
14	18	8	16	1- -6
12	16	7	14	1- -4
10	14	6	12	1- -2
8	12	5	10	1- -0
6	10	4	8	-8
4	8	3	6	-6
DIM "F"	DIM "E"	PINS PER ROW "XX"	POSITION PER CONNECTOR	TE INTERNAL PART NO.

THIS DRAWING IS A CONTROLLED DOCUMENT.		DWN R R NAYAK 27 JUN 2016	 TE Connectivity		
DIMENSIONS: mm		CHK KARTHIK J K 27 JUN 2016			
TOLERANCES UNLESS OTHERWISE SPECIFIED:		APVD PRASHANTH S 27 JUN 2016	NAME AMPMODU 2mm SHROUDED MTE HEADER DUAL ROW ,RIGHT ANGLE		
0 PLC ± 1 PLC ±0.1 2 PLC ±0.05 3 PLC ± 4 PLC ±		PRODUCT SPEC 108-64040	SIZE A2	CAGE CODE 100779	DRAWING NO C-2823224
MATERIAL SEE NOTES		FINISH SEE NOTES	RESTRICTED TO -	SCALE 8:1	SHEET 3 OF 3
CUSTOMER DRAWING		WEIGHT	REV A1		