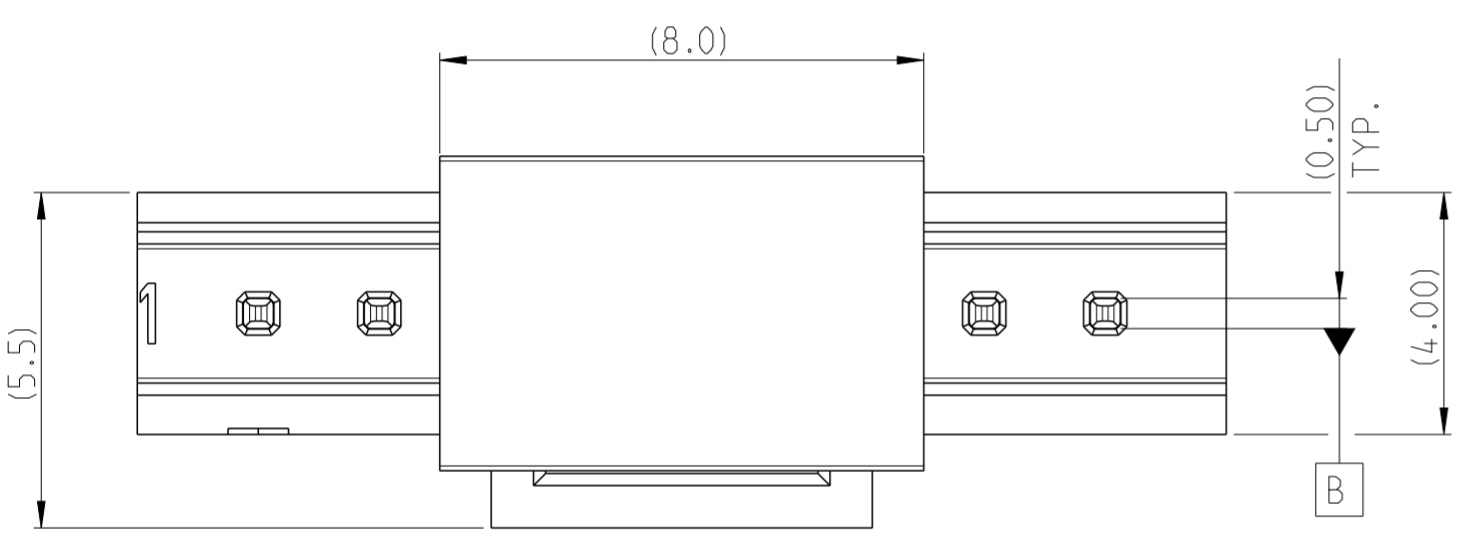
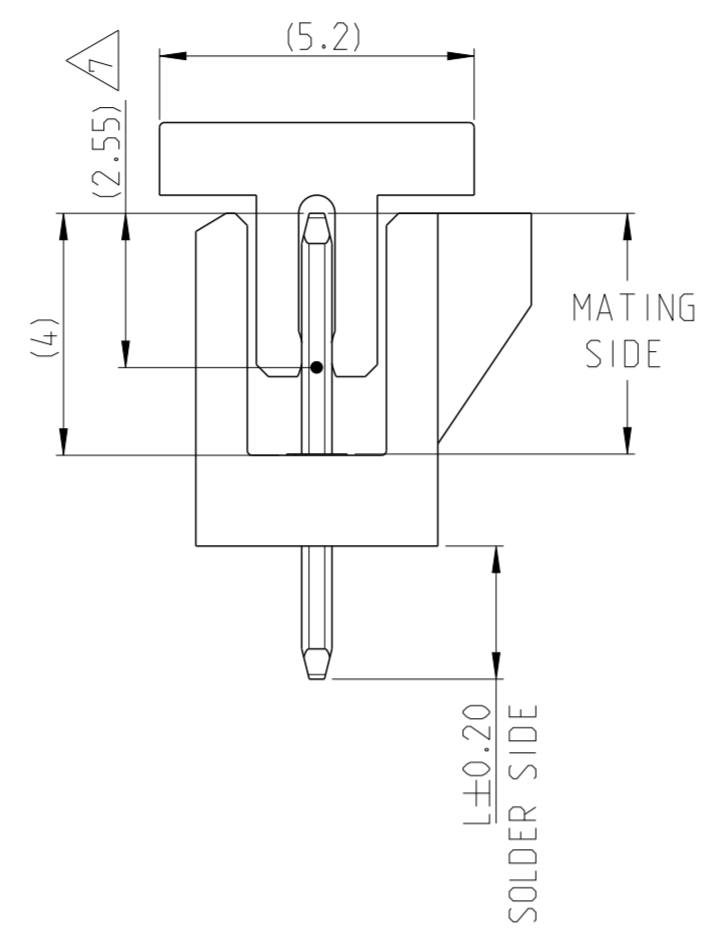
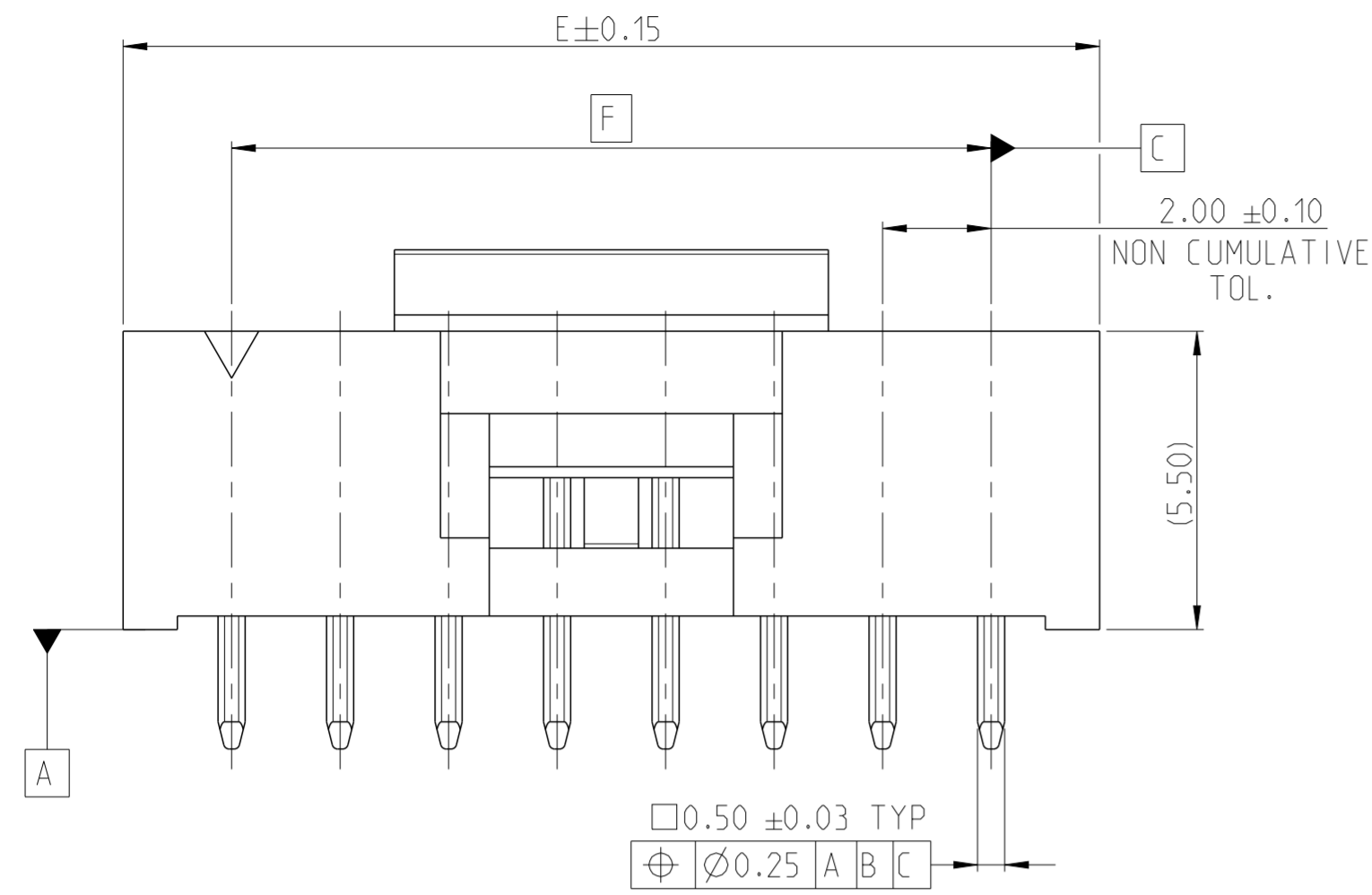
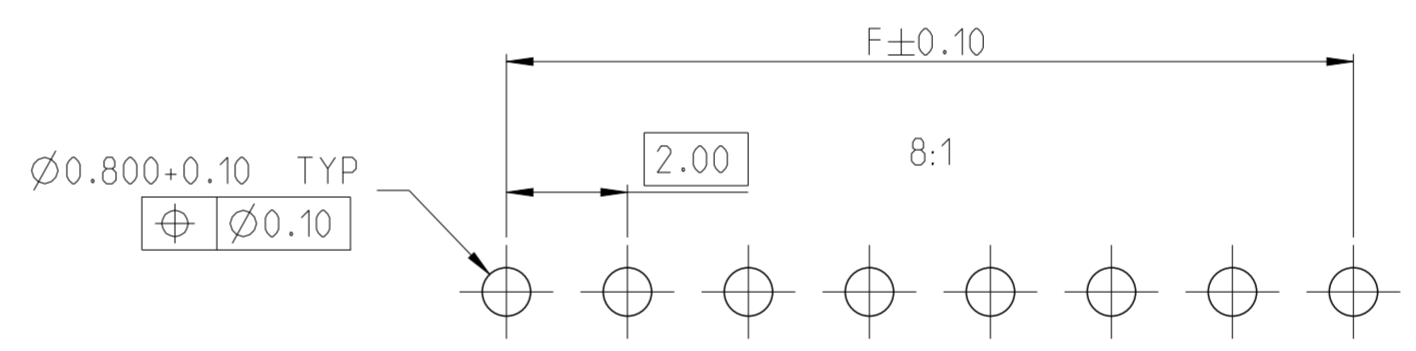


P	LTR	DESCRIPTION	DATE	DWN	APVD
A		RELEASE TO PRODUCTION	20SEP2022	DK	PS
A1		BASE NO ADDED WITH REFERENCE TO THE SMART PN	03NOV2023	Ka	SS

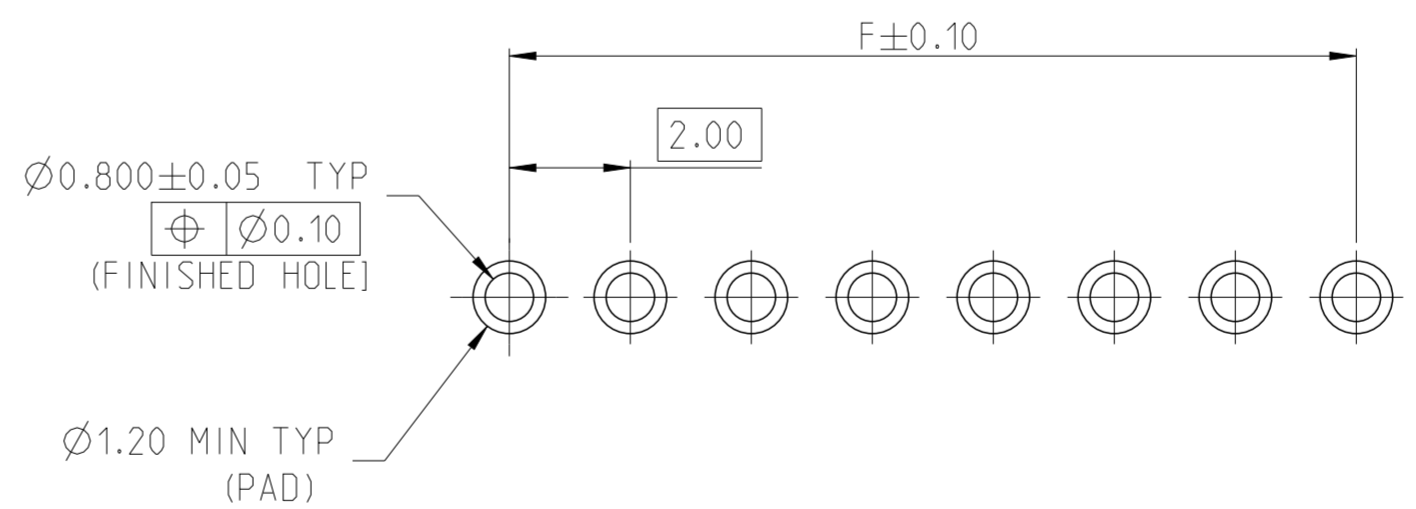


NOTES:

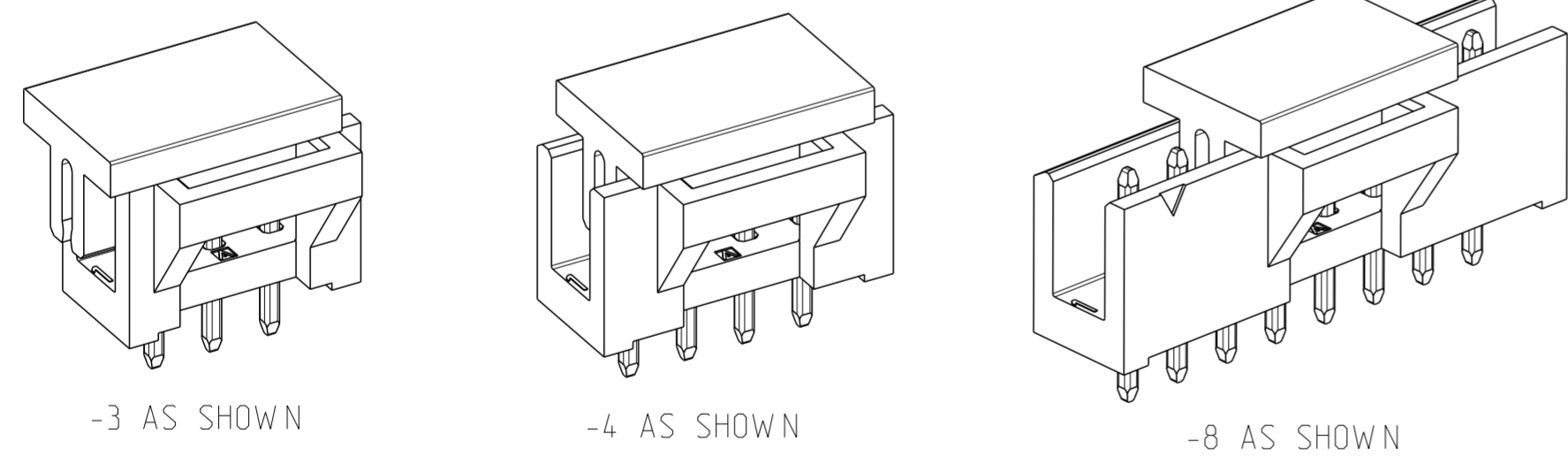
- MATERIAL: HOUSING & P&P CAP: HIGH TEMPERATURE THERMOPLASTIC, UL94-V0; COLOR- BLACK POST: PHOSPHOR BRONZE
- FINISH:
  - 3-5µm TIN OVER MIN. 1.27µm NICKEL UNDER PLATING.
  - MATING SIDE: MIN. 0.38µm SELECTIVE GOLD OVER MIN. 1.27µm NICKEL UNDER PLATING. SOLDER SIDE: 4-6µm TIN OVER MIN. 1.27µm NICKEL UNDER PLATING.
  - MATING SIDE: MIN. 0.76µm SELECTIVE GOLD OVER MIN. 1.27µm NICKEL UNDER PLATING. SOLDER SIDE: 4-6µm TIN OVER MIN. 1.27µm NICKEL UNDER PLATING.
- FOR SMART PART NUMBER, NO. OF POSITIONS PER CONNECTOR HAS TO BE ADDED NEXT TO NO. OF ROWS (2MM-HSP-S\_\_-VT-\_\_-\_\_-\_\_). REFER SHEET 2 NOMENCLATURE.  
FOR EXAMPLE: 2MM-HSP-S03-VT-01-T-TB = 3 POSITION.  
2MM-HSP-S16-VT-01-T-TB = 16 POSITION.
- PACKAGING: A. TAPE & REEL WITH (W/) CAP. B. TUBE WITH (W/) AND WITHOUT (W/O) CAP.
- PLATING THICKNESS MEASUREMENT POINT REFERENCE FOR SELECTIVE GOLD PLATING AREA
- "L" DENOTES TAIL LENGTH



RECOMMENDED PCB HOLE PATTERN FOR THROUGH HOLE WAVE



RECOMMENDED PCB HOLE PATTERN FOR THROUGH HOLE REFLOW / PIN-IN-PASTE



-3 AS SHOWN

-4 AS SHOWN

-8 AS SHOWN

THIS DRAWING IS A CONTROLLED DOCUMENT.		DWN R R NAYAK 6APR2016	TE Connectivity		
DIMENSIONS: mm		CHK KARTHIK J K 27JUN2016			
TOLERANCES UNLESS OTHERWISE SPECIFIED:		APVD PRASHANTH S 27JUN2016	PRODUCT SPEC 108-64040		
0 PLC ± 1 PLC ±0.1 2 PLC ±0.05 3 PLC ± 4 PLC ± ANGLES ±2°		APPLICATION SPEC 114-64040	RESTRICTED TO -		
MATERIAL SEE NOTES		FINISH SEE NOTES	WEIGHT	SCALE 8:1	SHEET 1 OF 3
		CUSTOMER DRAWING	DRAWING NO A2100779	REV A1	

P	LTR	DESCRIPTION	DATE	DWN	APVD
-		SEE SHEET 1	-	-	-

SMART PART NUMBER  
 2MM - HSP - S \_\_\_ - VT - \_\_\_ - \_\_\_ - \_\_\_

PACKAGING

TB	Tube without cap
TBP	Tube with cap
TRP	Tape and reel with cap

PRODUCT SERIES

2MM	AMPMODU 2mm series
-----	--------------------

GENDER / TYPE

HSP	Shrouded headers for positive latch
-----	-------------------------------------

NUMBER OF ROWS

S	Single row
---	------------

NUMBER OF PINS PER ROW

XX	03 through 16 (enter two digits)
----	-------------------------------------

ORIENTATION & TERMINATION

VT	Vertical through hole
----	-----------------------

PLATING


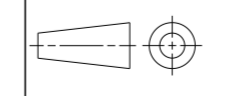
T	Tin
M	0.38 μm selective Gold
H	0.76 μm selective Gold

TAIL LENGTH (L)

01	2.2 mm
02	2.8 mm

SMART PN EXAMPLES :

1. AMPMODU 2MM, SHROUDED HEADER CENTER LATCH VERSION, SINGLE ROW, 03 POSITION PER ROW, VERTICAL MOUNT, 2.2MM SOLDER TAIL LENGTH, TIN PLATING, TUBE W/O CAP  
 2MM-HSP-S03-VT-01-T-TB
2. AMPMODU 2MM, SHROUDED HEADER CENTER LATCH VERSION, SINGLE ROW, 16 POSITION PER ROW, VERTICAL MOUNT, 2.8MM SOLDER TAIL LENGTH, 0.76 μm SELECTIVE GOLD PLATING, TAPE AND REEL WITH CAP  
 2MM-HSP-S16-VT-02-H-TRP


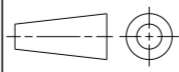
THIS DRAWING IS A CONTROLLED DOCUMENT.		DWN R R NAYAK 6APR2016	 TE Connectivity		
DIMENSIONS: mm		CHK KARTHIK J K 27JUN2016			
TOLERANCES UNLESS OTHERWISE SPECIFIED: 0 PLC ± 1 PLC ±0.1 2 PLC ±0.05 3 PLC ± 4 PLC ± ANGLES ±2°		APVD PRASHANTH S 27JUN2016	NAME AMPMODU 2mm SHROUDED MTE HEADER SINGLE ROW, VERTICAL		
		PRODUCT SPEC 108-64040	RESTRICTED TO -		
MATERIAL SEE NOTES		APPLICATION SPEC 114-64040	SIZE A2	CAGE CODE 100779	DRAWING NO C-2823174
FINISH SEE NOTES		WEIGHT	SCALE 1:1		SHEET 2 OF 3
		CUSTOMER DRAWING	REV A1		

REVISIONS

P	LTR	DESCRIPTION	DATE	DWN	APVD
-	-	SEE SHEET 1	-	-	-

TE INTERNAL BASE NO.	PACKAGING TYPE	MATING SIDE PLATING FINISH	SOLDER TAIL LENGTH "L"	SMART PN
2823174	TUBE W/O CAP	TIN $\triangle 2$	2.2	2MM-HSP-SXX-VT-01-T-TB
2823529	TAPE AND REEL W/ CAP		2.2	2MM-HSP-SXX-VT-01-T-TRP
2823911	TUBE W/ CAP		2.2	2MM-HSP-SXX-VT-01-T-TBP
2823400	TUBE W/O CAP		2.8	2MM-HSP-SXX-VT-02-T-TB
2823532	TAPE AND REEL W/ CAP		2.8	2MM-HSP-SXX-VT-02-T-TRP
2823917	TUBE W/ CAP		2.8	2MM-HSP-SXX-VT-02-T-TBP
2823179	TUBE W/O CAP	SELECTIVE Au 0.38 $\mu\text{m}$ $\triangle 3$	2.2	2MM-HSP-SXX-VT-01-M-TB
2823530	TAPE AND REEL W/ CAP		2.2	2MM-HSP-SXX-VT-01-M-TRP
2823912	TUBE W/ CAP		2.2	2MM-HSP-SXX-VT-01-M-TBP
2823401	TUBE W/O CAP		2.8	2MM-HSP-SXX-VT-02-M-TB
2823533	TAPE AND REEL W/ CAP		2.8	2MM-HSP-SXX-VT-02-M-TRP
2823918	TUBE W/ CAP		2.8	2MM-HSP-SXX-VT-02-M-TBP
2823183	TUBE W/O CAP	SELECTIVE Au 0.76 $\mu\text{m}$ $\triangle 4$	2.2	2MM-HSP-SXX-VT-01-H-TB
2823531	TAPE AND REEL W/ CAP		2.2	2MM-HSP-SXX-VT-01-H-TRP
2823913	TUBE W/ CAP		2.2	2MM-HSP-SXX-VT-01-H-TBP
2823402	TUBE W/O CAP		2.8	2MM-HSP-SXX-VT-02-H-TB
2823534	TAPE AND REEL W/ CAP		2.8	2MM-HSP-SXX-VT-02-H-TRP
2823919	TUBE W/ CAP		2.8	2MM-HSP-SXX-VT-02-H-TBP

30	34	16	1- -6
28	32	15	1- -5
26	30	14	1- -4
24	28	13	1- -3
22	26	12	1- -2
20	24	11	1- -1
18	22	10	1- -0
16	20	9	-9
14	18	8	-8
12	16	7	-7
10	14	6	-6
8	12	5	-5
6	10	4	-4
4	8	3	-3
DIM "F"	DIM "E"	POSITION PER CONNECTOR	TE INTERNAL PART NO.

THIS DRAWING IS A CONTROLLED DOCUMENT.		DWN R R NAYAK 6APR2016	 TE Connectivity	
DIMENSIONS: mm		CHK KARTHIK J K 27JUN2016		
TOLERANCES UNLESS OTHERWISE SPECIFIED:		APVD PRASHANTH S 27JUN2016	NAME AMPMODU 2mm SHROUDED MTE HEADER SINGLE ROW, VERTICAL	
		PRODUCT SPEC 108-64040	RESTRICTED TO -	
MATERIAL SEE NOTES		APPLICATION SPEC 114-64040	SIZE A2	CAGE CODE 00779
FINISH SEE NOTES		WEIGHT	DRAWING NO C-2823174	SCALE 8:1
		CUSTOMER DRAWING	SHEET 3 OF 3	REV A1