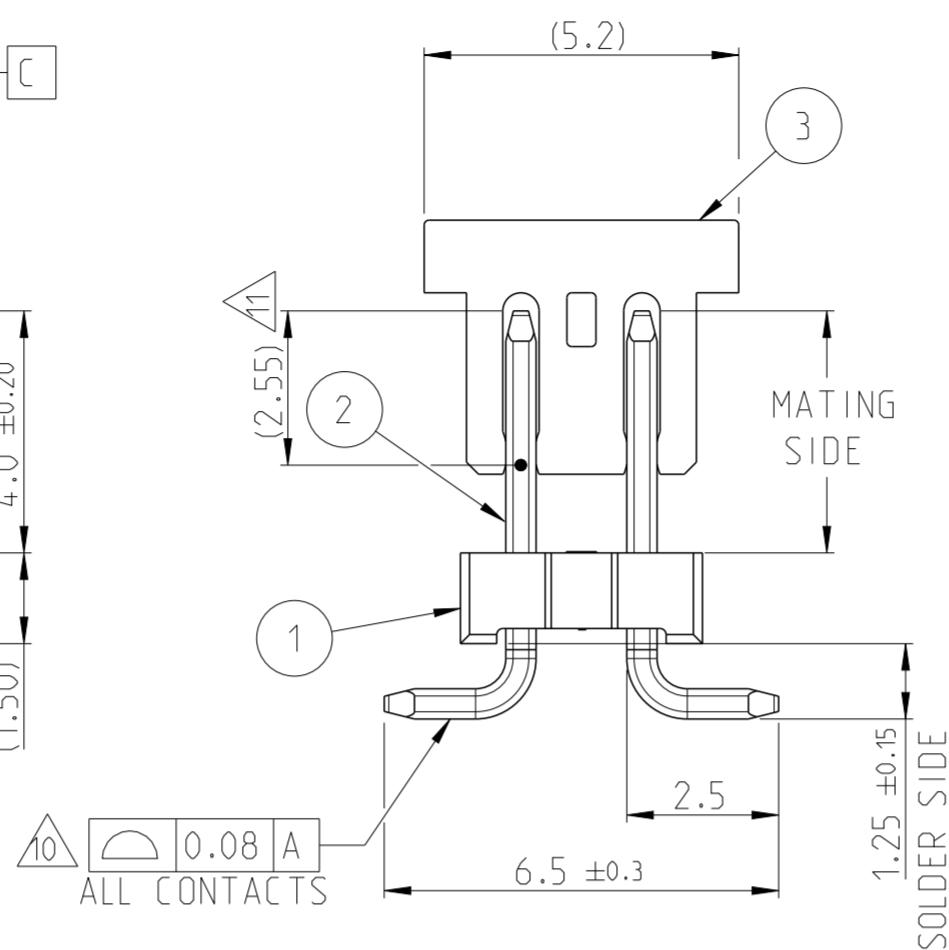
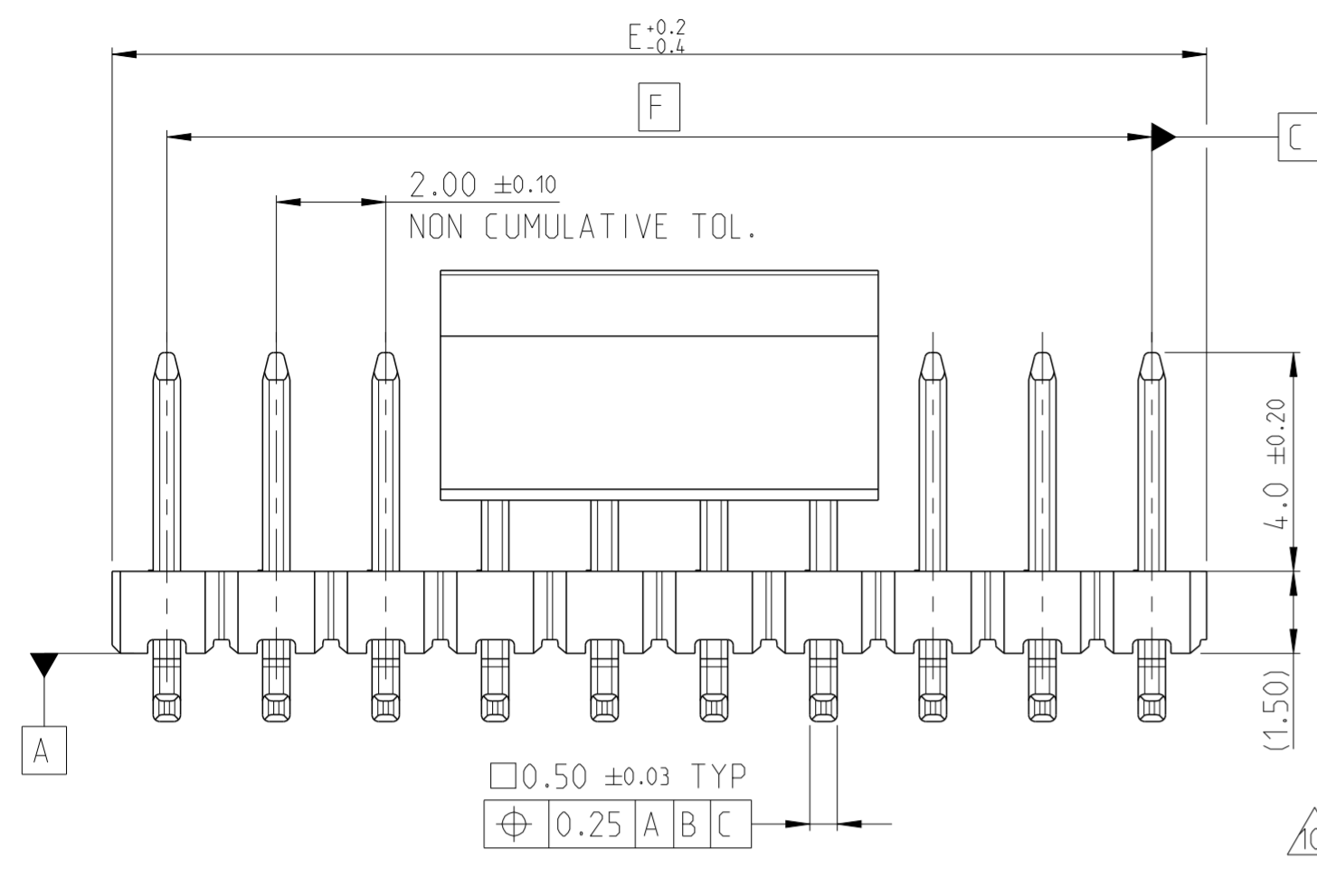


P	LTR	DESCRIPTION	DATE	DWN	APVD
A		RELEASE TO PRODUCTION	19OCT2023	Ka	SS
A1		DIMENSION TOLERANCE CORRECTION	29FEB2024	KA	SS



NOTES:

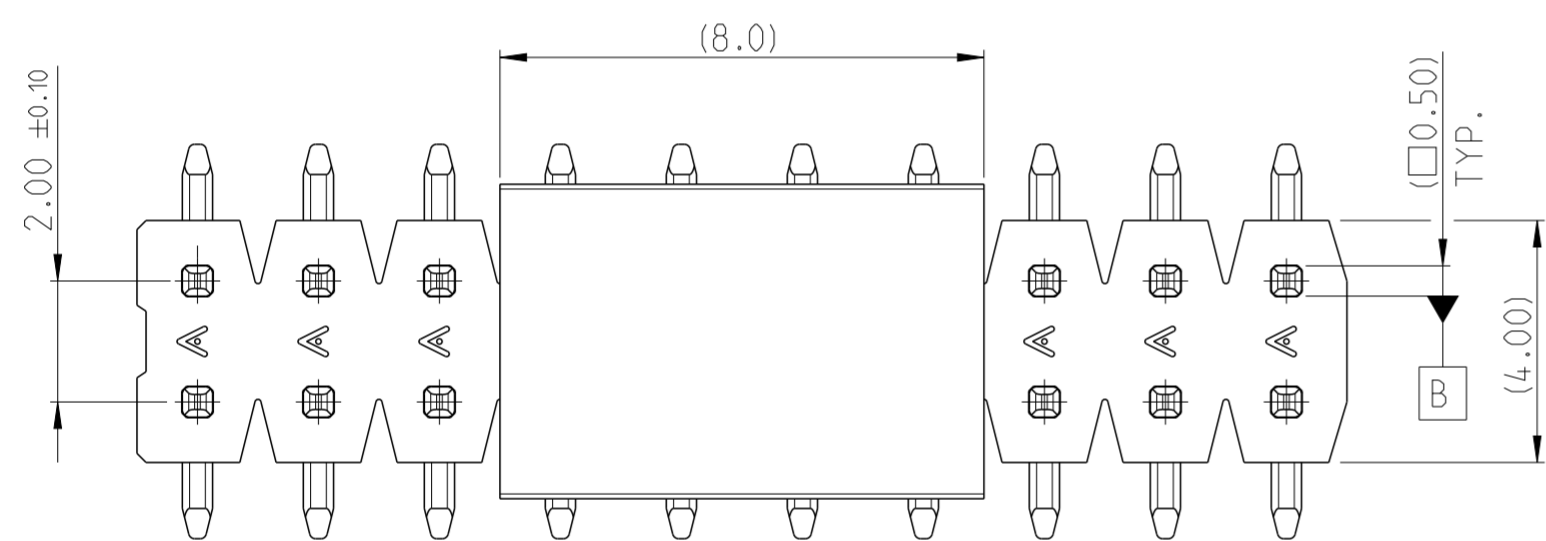
1. MATERIAL: HOUSING & P&P CAP : HIGH TEMPERATURE THERMOPLASTIC, UL94-V0; COLOR- BLACK
POST: PHOSPHOR BRONZE

FINISH :

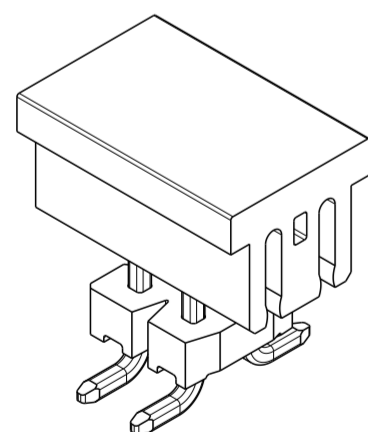
- 2 3-5 μ m TIN OVER MIN. 1.27 μ m NICKEL UNDER PLATING
 - 3 MATING SIDE: MIN. 0.1 μ m SELECTIVE GOLD OVER MIN. 1.27 μ m NICKEL UNDER PLATING
SOLDER SIDE: 4-6 μ m TIN OVER MIN 1.27 μ m NICKEL UNDER PLATING
 - 4 MATING SIDE: MIN. 0.38 μ m SELECTIVE GOLD OVER MIN. 1.27 μ m NICKEL UNDER PLATING
SOLDER SIDE: 4-6 μ m TIN OVER MIN 1.27 μ m NICKEL UNDER PLATING
 - 5 MATING SIDE: MIN. 0.76 μ m SELECTIVE GOLD OVER MIN. 1.27 μ m NICKEL UNDER PLATING
SOLDER SIDE: 4-6 μ m TIN OVER MIN 1.27 μ m NICKEL UNDER PLATING
6. FOR SMART PART NUMBER, NO. OF POSITIONS PER CONNECTOR HAS TO BE ADDED NEXT TO NO. OF ROWS (2MM-HB-D__-VS-00-__-__-__). REFER SHEET 2 NOMENCLATURE. FOR EXAMPLE: 2MM-HB-D04-VS-00-T-TBP = 8 POSITION. 2MM-HB-D25-VS-00-T-TBP = 50 POSITION.

7. PACKAGING: A. TAPE & REEL WITH (W/) CAP.
B. TUBE WITH (W/) CAP.

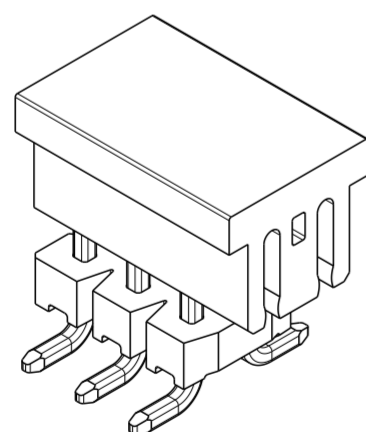
- 8 FOR TUBE PACKAGING W/CAP:
NO PICK AND PLACE CAP FOR -4 AND -6 POS. HEADER POSITION STARTS FROM -8 POS.
- 10 COPLANARITY VARIES WITH CONNECTOR POSITION
4-20 POS: 0.08mm
22-40 POS: 0.10mm
42-50 POS: 0.15mm
- 11 PLATING THICKNESS MEASUREMENT POINT REFERENCE FOR SELECTIVE GOLD PLATING AREA



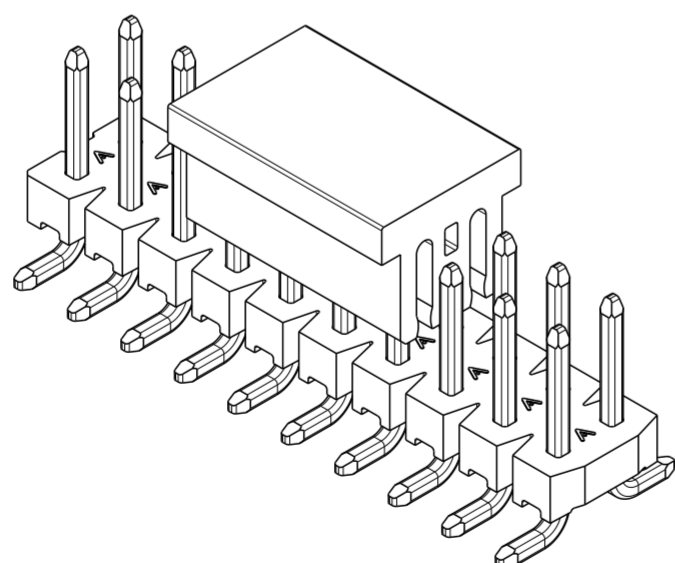
SCALE 5:1



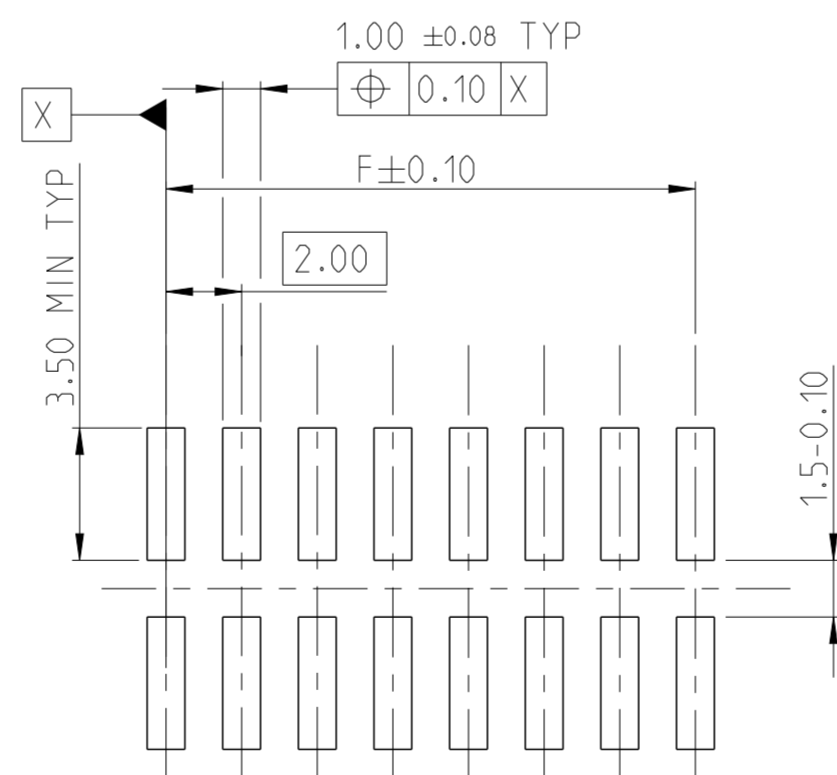
-4 AS SHOWN



-6 AS SHOWN



2- 0 AS SHOWN



RECOMMENDED PCB PATTERN

CAP	3
POST	2
HOUSING	1
DESCRIPTION	ITEM NO.

THIS DRAWING IS A CONTROLLED DOCUMENT.		DWN RAKSHITH NAYAK 11FEB2016	TE Connectivity	
DIMENSIONS: mm		CHK KARTHIK 14APR2016		
TOLERANCES UNLESS OTHERWISE SPECIFIED:		APVD PRASHANTH 14APR2016	NAME AMPMODU 2mm, BREAKAWAY HEADER DUAL ROW, VERTICAL,SMD	
0 PLC ±		PRODUCT SPEC 108-64040	SIZE CAGE CODE DRAWING NO RESTRICTED TO	
1 PLC ±0.1		APPLICATION SPEC 114-64040	A2100779 C-2823142 -	
2 PLC ±0.05		WEIGHT	SCALE 8:1 SHEET 1 OF 3 REV A1	
3 PLC ±		CUSTOMER DRAWING		
4 PLC ±				
ANGLES ±2°				
FINISH				
MATERIAL SEE NOTES				
SEE NOTES				

P	LTR	DESCRIPTION	DATE	DWN	APVD
-		SEE SHEET 1	-	-	-

SMART PART NUMBER
 2MM - HB - D ___ - VS - 00 - ___ - ___


PRODUCT SERIES
 2MM AMPMODU 2mm series

GENDER / TYPE
 HB Breakaway headers

NUMBER OF ROWS
 D Double row

NUMBER OF PINS PER ROW
 XX 02 through 25 (enter two digits)

ORIENTATION & TERMINATION
 VS Vertical surface mount


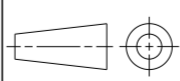
PACKAGING
 TBP Tube with cap 
 TRP Tape and reel with cap

PLATING
 T Tin
 F 0.1µm selective Gold (Gold flash)
 M 0.38µm selective Gold
 H 0.76µm selective Gold

TAIL LENGTH
 00 N/A for surface mount

SMART PN EXAMPLES :

1. AMPMODU 2MM, BREAKAWAY HEADER, DOUBLE ROW, 04 POSITION PER ROW, SURFACE MOUNT, TAIL LENGTH NOT APPLICABLE, TIN PLATING, TUBE WITH CAP
 2MM-HB-D04-VS-00-T-TBP
2. AMPMODU 2MM, BREAKAWAY HEADER, DOUBLE ROW, 25 POSITION PER ROW, SURFACE MOUNT, TAIL LENGTH NOT APPLICABLE, 0.76µm SELECTIVE GOLD PLATING, TAPE AND REEL WITH CAP
 2MM-HB-D25-VS-00-H-TRP


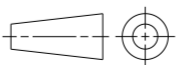
THIS DRAWING IS A CONTROLLED DOCUMENT.		DWN 11FEB2016 RAKSHITH NAYAK	 TE Connectivity	
		CHK 14APR2016 KARTHIK		
DIMENSIONS: mm		TOLERANCES UNLESS OTHERWISE SPECIFIED:		APVD 14APR2016 PRASHANTH
		0 PLC ±	NAME AMPMODU 2mm, BREAKAWAY HEADER DUAL ROW, VERTICAL,SMD	
		1 PLC ±0.1	PRODUCT SPEC 108-64040	
		2 PLC ±0.05	APPLICATION SPEC 114-64040	
		3 PLC ±	SIZE A2	
		4 PLC ±	CAGE CODE 100779	
		ANGLES ±2°	DRAWING NO C-2823142	
MATERIAL SEE NOTES		FINISH SEE NOTES	RESTRICTED TO -	
			SCALE 1:1 SHEET 2 OF 3 REV A1	
			CUSTOMER DRAWING	

REVISIONS

P	LTR	DESCRIPTION	DATE	DWN	APVD
-		SEE SHEET 1	-	-	-

TE INTERNAL BASE NO.	PACKAGING TYPE	MATING SIDE PLATING FINISH	SMART PN
2823142	TAPE AND REEL W / CAP	TIN Δ 2	2MM-HB-DXX-VS-00-T-TRP
2823787	TUBE W / CAP		2MM-HB-DXX-VS-00-T-TBP
2823143	TAPE AND REEL W / CAP	SELECTIVE Au flash 0.1 μ m Δ 3	2MM-HB-DXX-VS-00-F-TRP
2823788	TUBE W / CAP		2MM-HB-DXX-VS-00-F-TBP
2823144	TAPE AND REEL W / CAP	SELECTIVE Au 0.38 μ m Δ 4	2MM-HB-DXX-VS-00-M-TRP
2823789	TUBE W / CAP		2MM-HB-DXX-VS-00-M-TBP
2823145	TAPE AND REEL W / CAP	SELECTIVE Au 0.76 μ m Δ 5	2MM-HB-DXX-VS-00-H-TRP
2823790	TUBE W / CAP		2MM-HB-DXX-VS-00-H-TBP

48	50	25	50	5-	-0
46	48	24	48	4-	-8
44	46	23	46	4-	-6
42	44	22	44	4-	-4
40	42	21	42	4-	-2
38	40	20	40	4-	-0
36	38	19	38	3-	-8
34	36	18	36	3-	-6
32	34	17	34	3-	-4
30	32	16	32	3-	-2
28	30	15	30	3-	-0
26	28	14	28	2-	-8
24	26	13	26	2-	-6
22	24	12	24	2-	-4
20	22	11	22	2-	-2
18	20	10	20	2-	-0
16	18	9	18	1-	-8
14	16	8	16	1-	-6
12	14	7	14	1-	-4
10	12	6	12	1-	-2
8	10	5	10	1-	-0
6	8	4	8		-8
4	6	3	6		-6
2	4	2	4		-4
DIM "F"	DIM "E"	NUMBER OF PINS PER ROW "XX"	POS. PER CONNECTOR	TE INTERNAL PART NO.	

THIS DRAWING IS A CONTROLLED DOCUMENT.		DWN 11 FEB 2016 RAKSHITH NAYAK	 TE Connectivity	
		CHK 14 APR 2016 KARTHIK		
DIMENSIONS: mm	TOLERANCES UNLESS OTHERWISE SPECIFIED:	APVD 14 APR 2016 PRASHANTH	NAME AMPMODU 2mm, BREAKAWAY HEADER DUAL ROW, VERTICAL, SMD	
	0 PLC ± 1 PLC ±0.1 2 PLC ±0.05 3 PLC ± 4 PLC ± ANGLES ±2° FINISH	PRODUCT SPEC 108-64040	SIZE A2	CAGE CODE 00779
MATERIAL SEE NOTES	SEE NOTES	APPLICATION SPEC 114-64040	DRAWING NO C-2823142	RESTRICTED TO -
		WEIGHT	SCALE 8:1	SHEET 3 OF 3
		CUSTOMER DRAWING	REV A1	