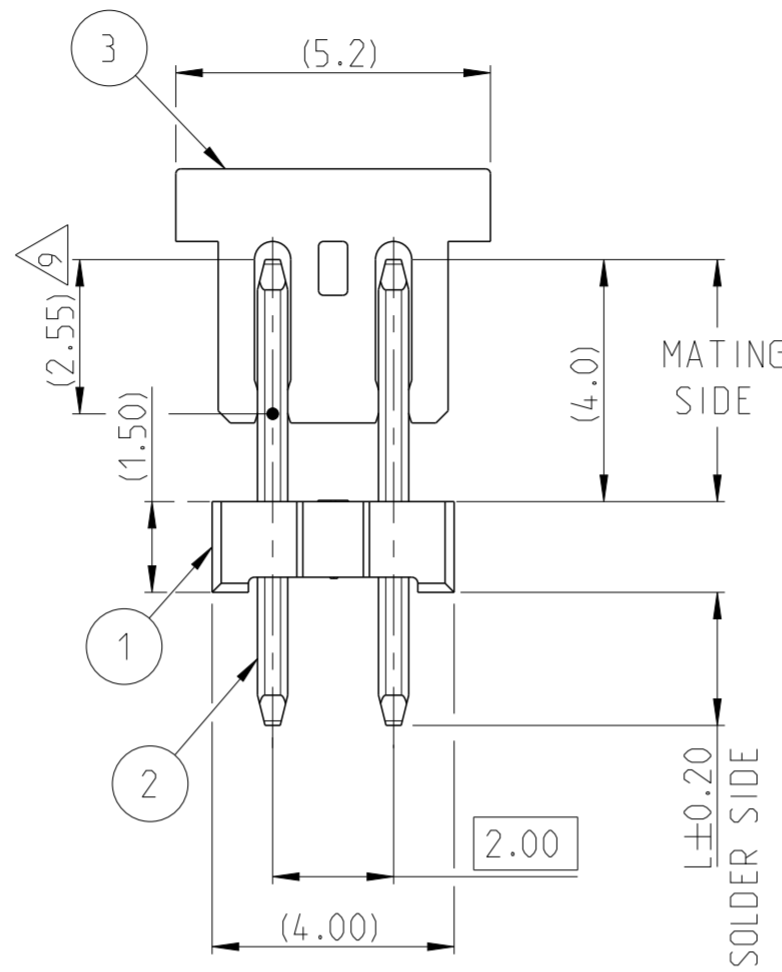
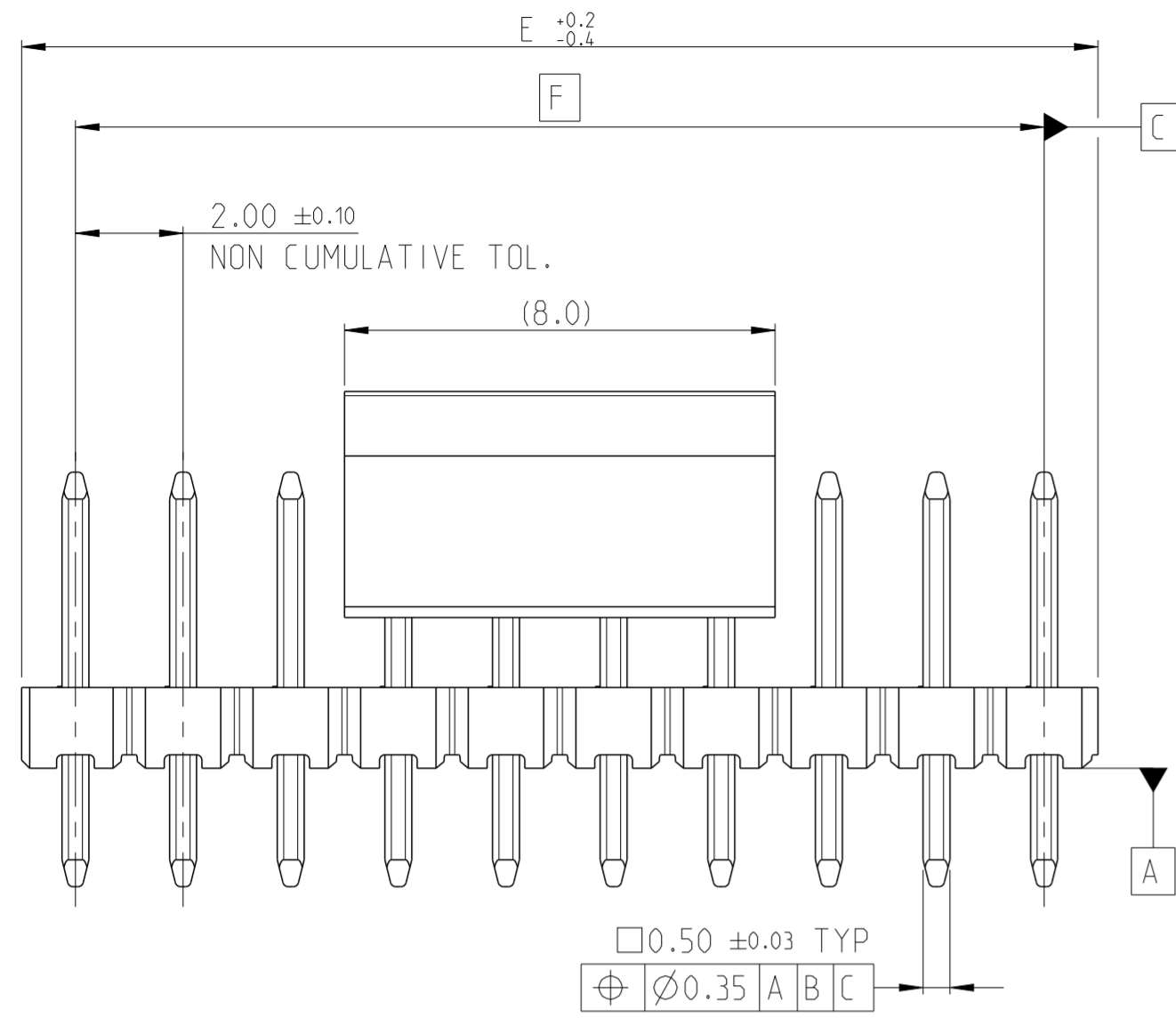


REVISIONS					
P	LTR	DESCRIPTION	DATE	DWN	APVD
	A	RELEASE TO PRODUCTION	19OCT2023	Ka	SS
	A1	DIMENSION TOLERANCE CORRECTION	29FEB2024	KA	SS



NOTES:

1. MATERIAL: HOUSING & P&P CAP: HIGH TEMPERATURE THERMOPLASTIC, UL94-V0; COLOR- BLACK POST: PHOSPHOR BRONZE

FINISH :

- 2 3-5 µm TIN OVER MIN 1.27 µm NICKEL UNDER PLATING
- 3 MATING SIDE: MIN. 0.1µm SELECTIVE GOLD OVER MIN. 1.27 µm NICKEL UNDER PLATING
SOLDER SIDE: 4-6 µm TIN OVER MIN 1.27 µm NICKEL UNDER PLATING
- 4 MATING SIDE: MIN. 0.38 µm SELECTIVE GOLD OVER MIN. 1.27 µm NICKEL UNDER PLATING
SOLDER SIDE: 4-6 µm TIN OVER MIN 1.27 µm NICKEL UNDER PLATING
- 5 MATING SIDE: MIN. 0.76 µm SELECTIVE GOLD OVER MIN. 1.27 µm NICKEL UNDER PLATING
SOLDER SIDE: 4-6 µm TIN OVER MIN 1.27 µm NICKEL UNDER PLATING

6. FOR SMART PART NUMBER, NO. OF POSITIONS PER CONNECTOR HAS TO BE ADDED NEXT TO NO. OF ROWS (2MM-HB-D__-VT-__-__-__).

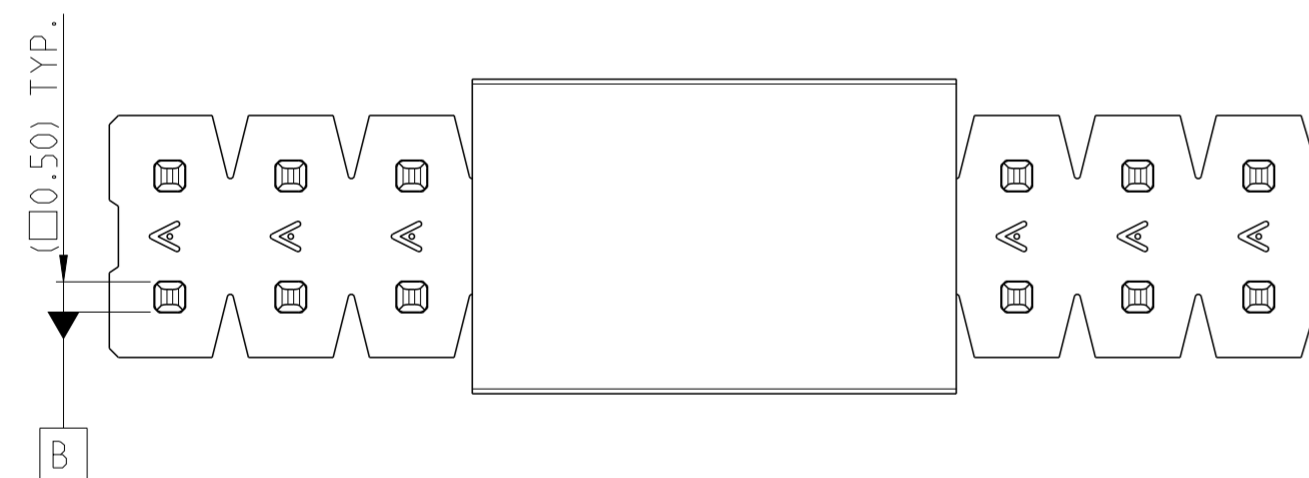
FOR EXAMPLE: 2MM-HB-D02-VT-01-T-TB = 4 POSITION.
2MM-HB-D25-VT-01-T-TB = 50 POSITION.

7. PACKAGING: A. TAPE & REEL WITH (W/) CAP.
B. TUBE WITH (W/) & WITHOUT (W/O) CAP.

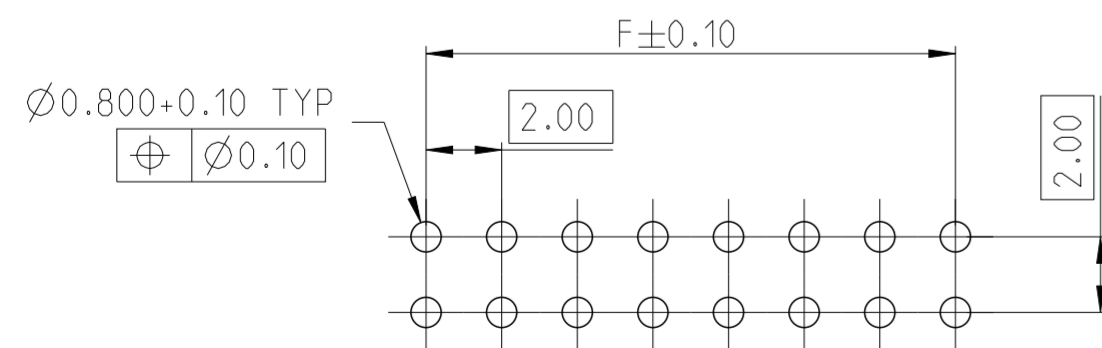
8 FOR TUBE PACKAGING W/CAP:
NO PICK AND PLACE CAP FOR -4 AND -6 POS. HEADER POSITION STARTS FROM -8 POS.

9 PLATING THICKNESS MEASUREMENT POINT REFERENCE FOR SELECTIVE GOLD PLATING AREA

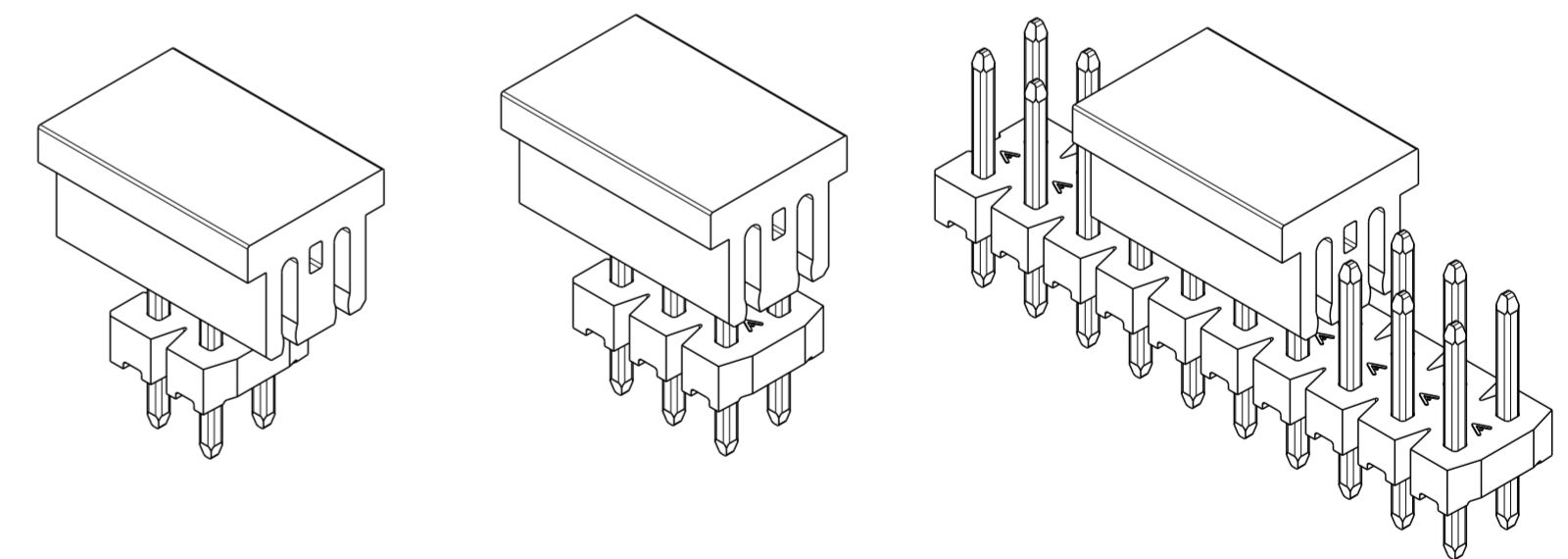
10. "L" DENOTES TAIL LENGTH



CAP	3
POST	2
HOUSING	1
DESCRIPTION	ITEM NO.



SCALE 5:1




RECOMMENDED PCB HOLE PATTERN FOR THROUGH HOLE WAVE

THIS DRAWING IS A CONTROLLED DOCUMENT.		DWN RAKSHITH NAYAK 11FEB2016	TE Connectivity		
		CHK KARTHIK 14APR2016			
DIMENSIONS: mm		APVD PRASHANTH 14APR2016	NAME AMPMODU 2mm, BREAKAWAY HEADER DUAL ROW ,VERTICAL		
TOLERANCES UNLESS OTHERWISE SPECIFIED:		PRODUCT SPEC 108-64040	SIZE CAGE CODE DRAWING NO RESTRICTED TO		
0 PLC ±		APPLICATION SPEC 114-64040	A2 100779 C-2823110		
1 PLC ±0.1		WEIGHT	SCALE 8:1 SHEET 1 OF 3 REV A1		
2 PLC ±0.05		CUSTOMER DRAWING			
3 PLC ±					
4 PLC ±					
ANGLES ±2°					
FINISH					
MATERIAL SEE NOTES					
SEE NOTES					

P	LTR	DESCRIPTION	DATE	DWN	APVD
-		SEE SHEET 1	-	-	-

SMART PART NUMBER
 2MM - HB - D - VT - - - - -

PACKAGING

TB	Tube without cap
TBP	Tube with cap 
TRP	Tape and reel with cap

PLATING

T	Tin
F	0.1µm selective Gold (Gold flash)
M	0.38µm selective Gold
H	0.76µm selective Gold

TAIL LENGTH (L)

01	2.2 mm
02	2.8 mm

PRODUCT SERIES

2MM	AMPMODU 2mm series
-----	--------------------

GENDER / TYPE

HB	Breakaway headers
----	-------------------

NUMBER OF ROWS

D	Double row
---	------------

NUMBER OF PINS PER ROW


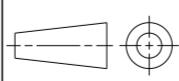
XX	02 through 25 (enter two digits)
----	-------------------------------------

ORIENTATION & TERMINATION

VT	Vertical through hole
----	-----------------------

SMART PN EXAMPLES :

- AMPMODU 2MM, BREAKAWAY HEADER, DOUBLE ROW, 02 POSITION PER ROW, VERTICAL MOUNT, 2.2MM SOLDER TAIL LENGTH, TIN PLATING, TUBE W/O CAP
 2MM-HB-D02-VT-01-T-TB
- AMPMODU 2MM, BREAKAWAY HEADER, DOUBLE ROW, 25 POSITION PER ROW, VERTICAL MOUNT, 2.8MM SOLDER TAIL LENGTH, 0.76µm SELECTIVE GOLD PLATING, TAPE AND REEL WITH CAP
 2MM-HB-D25-VT-02-H-TRP

THIS DRAWING IS A CONTROLLED DOCUMENT.		DWN RAKSHITH NAYAK 11 FEB 2016	 TE Connectivity	
		CHK KARTHIK 14 APR 2016		
DIMENSIONS: mm		TOLERANCES UNLESS OTHERWISE SPECIFIED:		NAME AMPMODU 2mm, BREAKAWAY HEADER DUAL ROW, VERTICAL
		0 PLC ± 1 PLC ±0.1 2 PLC ±0.05 3 PLC ± 4 PLC ± ANGLES ±2°		
MATERIAL SEE NOTES		FINISH SEE NOTES		APVD PRASHANTH 14 APR 2016
		PRODUCT SPEC 108-64040		RESTRICTED TO -
		APPLICATION SPEC 114-64040		SIZE A2
		WEIGHT		CAGE CODE 100779
		CUSTOMER DRAWING		DRAWING NO C-2823110
		SCALE 1:1		SHEET 2 OF 3
				REV A1


REVISIONS

P	LTR	DESCRIPTION	DATE	DWN	APVD
-		SEE SHEET 1	-	-	-

TE INTERNAL BASE NO.	PACKAGING TYPE	MATING SIDE PLATING FINISH	SOLDER TAIL LENGTH "L"	SMART PN
2823110	TUBE W/O CAP	TIN \triangle_2	2.2	2MM-HB-DXX-VT-01-T-TB
2823739	TUBE W/ CAP		2.2	2MM-HB-DXX-VT-01-T-TBP
2823473	TAPE AND REEL W/ CAP		2.2	2MM-HB-DXX-VT-01-T-TRP
2823112	TUBE W/O CAP		2.8	2MM-HB-DXX-VT-02-T-TB
2823755	TUBE W/ CAP		2.8	2MM-HB-DXX-VT-02-T-TBP
2823477	TAPE AND REEL W/ CAP		2.8	2MM-HB-DXX-VT-02-T-TRP
2823114	TUBE W/O CAP	SELECTIVE Au flash 0.1 μ m \triangle_3	2.2	2MM-HB-DXX-VT-01-F-TB
2823740	TUBE W/ CAP		2.2	2MM-HB-DXX-VT-01-F-TBP
2823474	TAPE AND REEL W/ CAP		2.2	2MM-HB-DXX-VT-01-F-TRP
2823116	TUBE W/O CAP		2.8	2MM-HB-DXX-VT-02-F-TB
2823756	TUBE W/ CAP		2.8	2MM-HB-DXX-VT-02-F-TBP
2823478	TAPE AND REEL W/ CAP		2.8	2MM-HB-DXX-VT-02-F-TRP
2823118	TUBE W/O CAP	SELECTIVE Au 0.38 μ m \triangle_4	2.2	2MM-HB-DXX-VT-01-M-TB
2823741	TUBE W/ CAP		2.2	2MM-HB-DXX-VT-01-M-TBP
2823475	TAPE AND REEL W/ CAP		2.2	2MM-HB-DXX-VT-01-M-TRP
2823120	TUBE W/O CAP		2.8	2MM-HB-DXX-VT-02-M-TB
2823757	TUBE W/ CAP		2.8	2MM-HB-DXX-VT-02-M-TBP
2823479	TAPE AND REEL W/ CAP		2.8	2MM-HB-DXX-VT-02-M-TRP
2823122	TUBE W/O CAP	SELECTIVE Au 0.76 μ m \triangle_5	2.2	2MM-HB-DXX-VT-01-H-TB
2823742	TUBE W/ CAP		2.2	2MM-HB-DXX-VT-01-H-TBP
2823476	TAPE AND REEL W/ CAP		2.2	2MM-HB-DXX-VT-01-H-TRP
2823124	TUBE W/O CAP		2.8	2MM-HB-DXX-VT-02-H-TB
2823758	TUBE W/ CAP		2.8	2MM-HB-DXX-VT-02-H-TBP
2823480	TAPE AND REEL W/ CAP		2.8	2MM-HB-DXX-VT-02-H-TRP

48	50	25	50	5-	-0
46	48	24	48	4-	-8
44	46	23	46	4-	-6
42	44	22	44	4-	-4
40	42	21	42	4-	-2
38	40	20	40	4-	-0
36	38	19	38	3-	-8
34	36	18	36	3-	-6
32	34	17	34	3-	-4
30	32	16	32	3-	-2
28	30	15	30	3-	-0
26	28	14	28	2-	-8
24	26	13	26	2-	-6
22	24	12	24	2-	-4
20	22	11	22	2-	-2
18	20	10	20	2-	-0
16	18	9	18	1-	-8
14	16	8	16	1-	-6
12	14	7	14	1-	-4
10	12	6	12	1-	-2
8	10	5	10	1-	-0
6	8	4	8		-8
4	6	3	6		-6
2	4	2	4		-4
DIM "F"	DIM "E"	PINS PER ROW "XX"	POSITION PER CONNECTOR	TE INTERNAL PART NO.	

THIS DRAWING IS A CONTROLLED DOCUMENT.

DIMENSIONS: mm	TOLERANCES UNLESS OTHERWISE SPECIFIED: 0 PLC ± 1 PLC ±0.1 2 PLC ±0.05 3 PLC ± 4 PLC ± ANGLES ±2° FINISH	DWN RAKSHITH NAYAK 11 FEB 2016 CHK KARTHIK 14 APR 2016 APVD PRASHANTH 14 APR 2016 PRODUCT SPEC 108-64040 APPLICATION SPEC 114-64040 WEIGHT	 TE Connectivity	
MATERIAL SEE NOTES	SEE NOTES	CUSTOMER DRAWING	NAME AMPMODU 2mm, BREAKAWAY HEADER DUAL ROW, VERTICAL	RESTRICTED TO -
		SIZE A2	CAGE CODE 100779	DRAWING NO C-2823110
		SCALE 5:1	SHEET 3 OF 3	REV A1