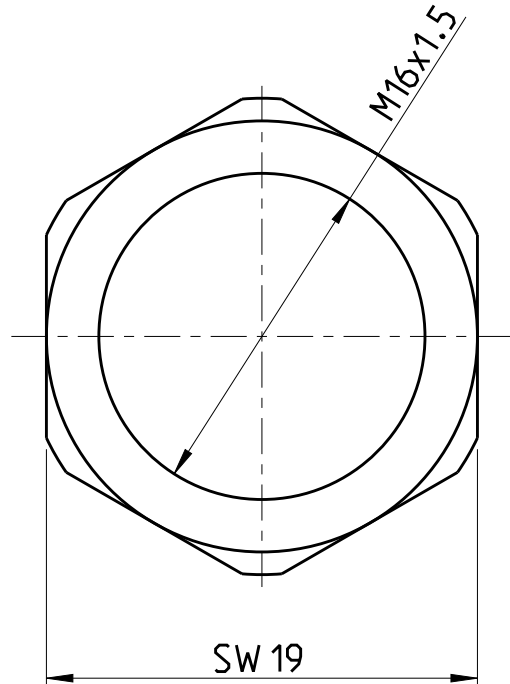
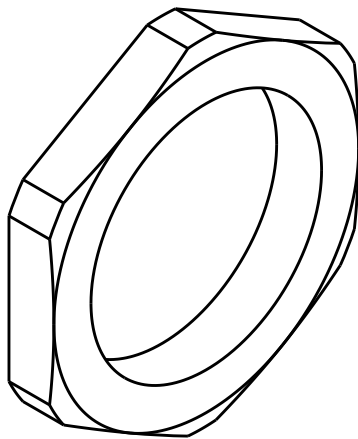


REVISIONS

P	LTR	DESCRIPTION	DATE	DWN	APVD
	A	NEW RELEASE	07JAN2015	TJ	PS



PN 2823066-1 AS SHOWN

NOTES:

- 1 ALL DIMENSIONS FOR REFERENCE ONLY UNLESS OTHERWISE TOLERANCES SPECIFIED.
- 2 PACKAGING: 100 PCS IN A BAG

20


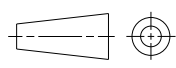
RELEASED FOR PUBLICATION

ALL RIGHTS RESERVED.

BY -

© COPYRIGHT 20

THIS DRAWING IS UNPUBLISHED.

DIMENSIONS: mm		DWN M THAJUDEEN 07JAN2015	MATERIAL CuZn	FINISH Ni
TOLERANCES UNLESS OTHERWISE SPECIFIED:		CHK KARTHIK JK 07JAN2015	 TE Connectivity	
0 PLC ± 1 PLC ± 2 PLC ± 3 PLC ± 4 PLC ± ANGLES ±		APVD PRASHANTH S 07JAN2015		
		PRODUCT SPEC 108-19483	NAME LOCK NUT - M12 CONNECTORS	
		APPLICATION SPEC 114-32127	SIZE A 4	CAGE CODE -
		WEIGHT -	DRAWING NO C-2823066	RESTRICTED TO -
		Customer Drawing	SCALE 3:1	SHEET 1 OF 1
				REV A