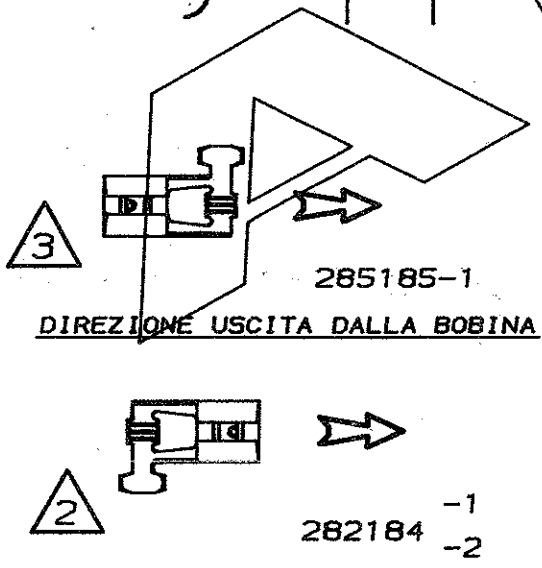
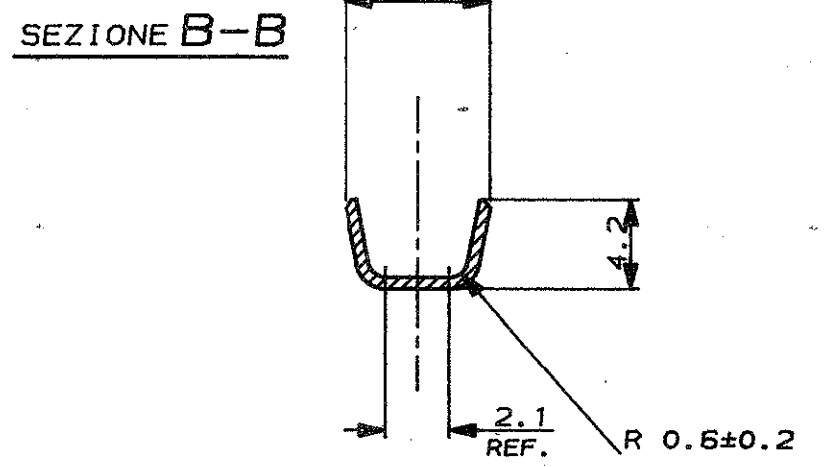
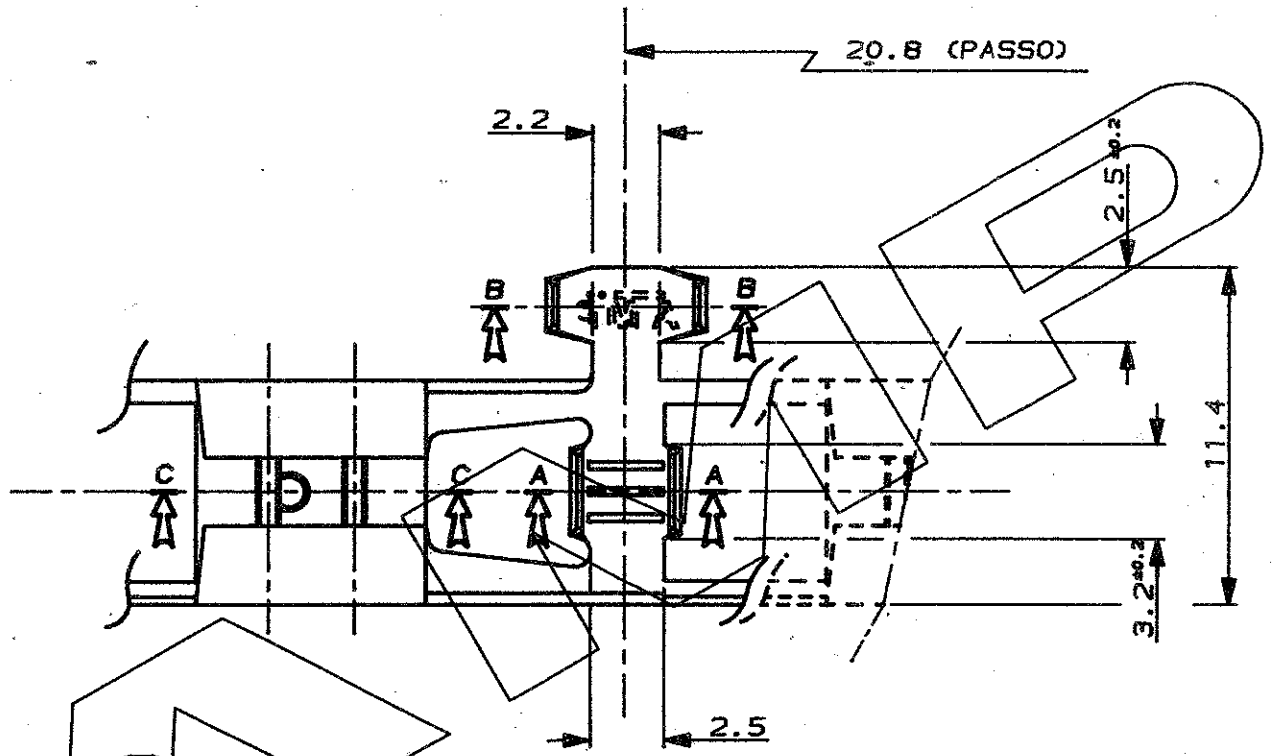
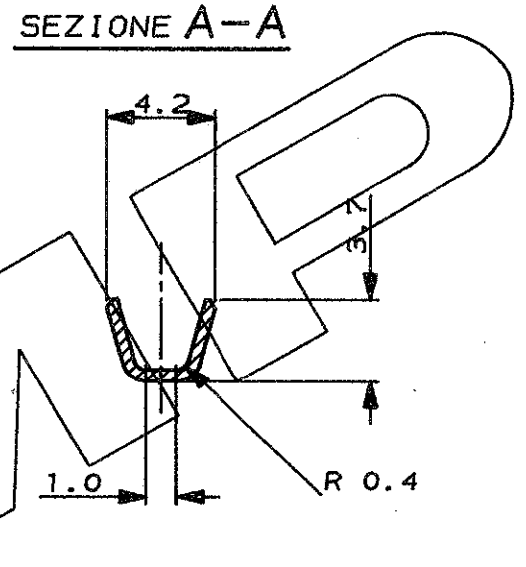
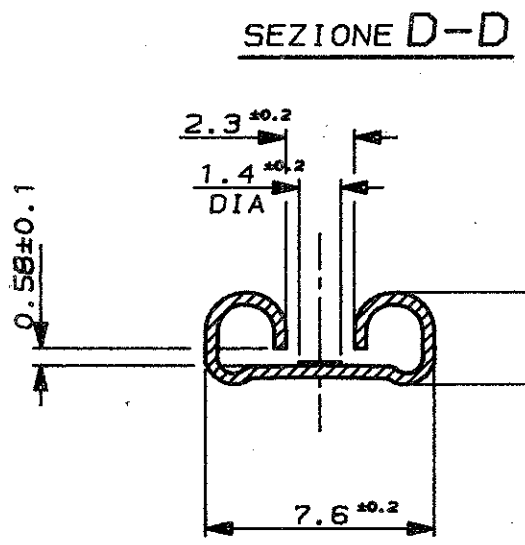
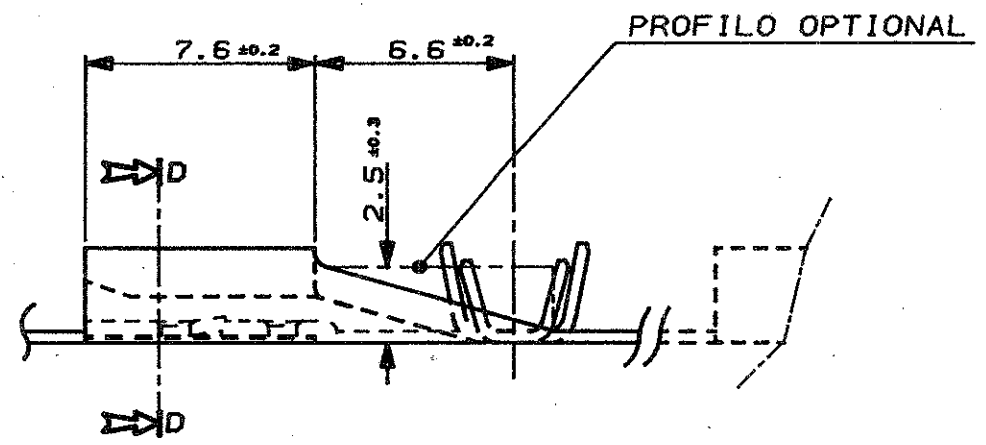


A  
B  
C  
D  
E



(WIRE) SEZ. FILO mm <sup>2</sup>	(INS. DIA. STD) Ø ISOL. STD	(INS. DIA. REDUCED) Ø IS. RID. FASE 3
1.0	---	1.9-2.1
1.5	---	2.2-2.4
2.5	---	2.7-3.0

4	3	STAGNATO	OTTONE	282185-1
4	2		BR. FOSFOROSO	282184-2
2	2	STAGNATO	OTTONE	282184-1
		FINITURA / COLORE (FINISH / COLOUR)	MATERIALE (MATERIAL)	NUMERO (PART NUMBER)

CUSTOMER DWG. FOR REFERENCE ONLY      DISEGNO PER CLIENTE SOLO PER RIFERIMENTO

THIS DRAWING IS UNPUBLISHED      RELEASE FOR PUBLICATION      19  
 © COPYRIGHT 19 BY AMP INCORPORATED, HARRISBURG, PA. ALL INTERNATIONAL RIGHT RESERVED. AMP PRODUCTS MAY BE COVERED BY U.S. AND FOREIGN PATENT AND/OR PATENT PENDING

TOLLERANZE, SE NON DIVERSAMENTE SPECIFICATO (TOLERANCES, UNLESS OTHERWISE SPECIFIED)	DIAM. ISOLANTE (INS. DIA. RANGED) 1.9-3.0 DIA	RANGO FILO (WIRE RANGED) 1-2.5mm <sup>2</sup>	SCALA (SCALE) 4:1
± 0.3	AMP ITALIA S.p.A. Corso F.lli Cervi, 15 COLLENO (TORINO)		

ANGOLI (ANGLES) ± 2°  
 DIS. 3 OCT. 90 (DR.) VERGANO P.  
 DESCRIZIONE (DESCRIPTION) .250 SRS.FLAG FASTON REC. CONTACT

REV.	REVISIONI (REVISION RECORD)	DIS. DATA (DR)
D	OBSOLETE P/Ns FOR ET00-0301-99	2000
A	IN PRODUZIONE (ECN I-2819)	91

LOC. (LOC.)	SIZE (SIZE)	NUMERO (CONS. NO)	(MASTER DWG.)	REV.	FUOGIO (SHEET)
I	A3	C-282184	D	1	1

1  
 2  
 3  
 4 OBSOLETE

DISTRIBUZIONE (PRINT DIST.)