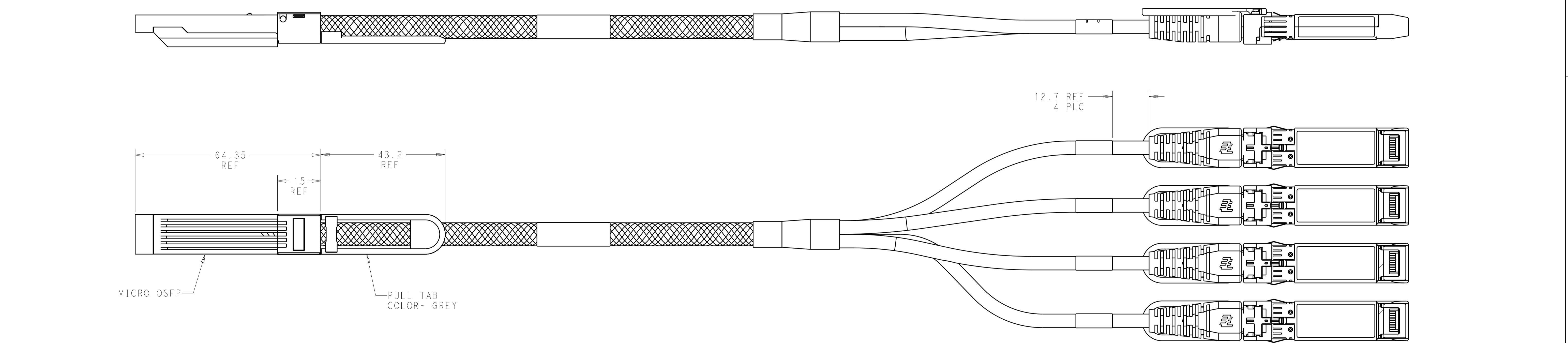
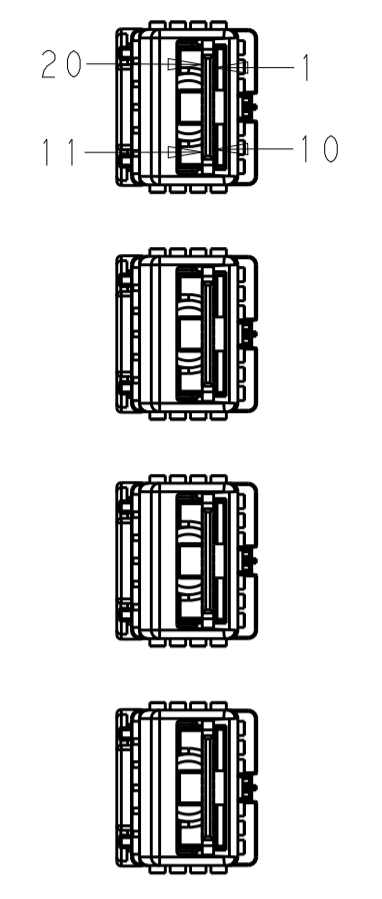
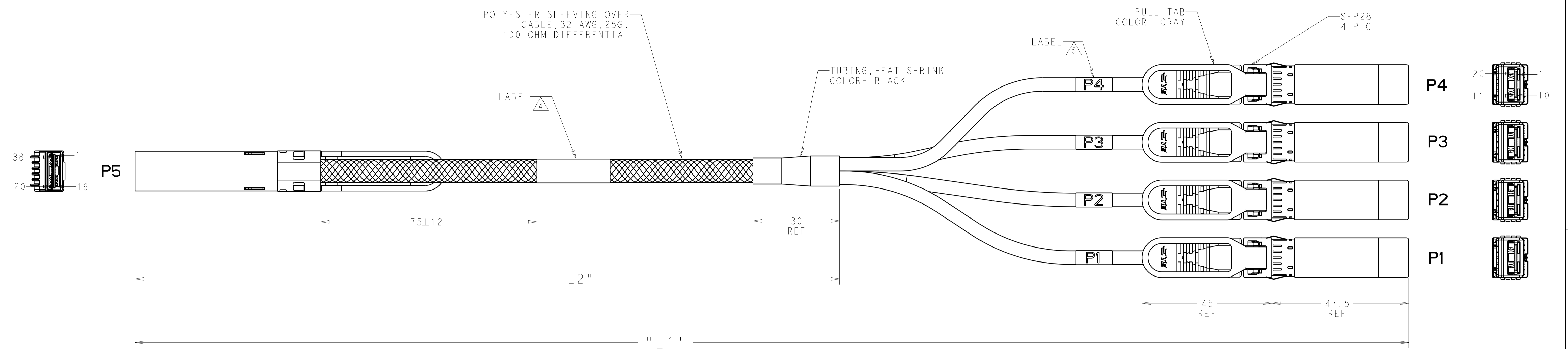


REVISIONS				
P	LTN	DESCRIPTION	DATE	APVD
1		PRELIMINARY	12APR2016	TS GF
2		CHANGE CABLE FROM 33 TO 32 AWG	30NOV2016	TS GF



700±25	2000±40	32 AWG	2821644-3
330±25	1000±40	32 AWG	2821644-2
	500±25	32 AWG	2821644-1 ⁶
L2	L1	WIRE GAGE	PART NO

THIS PRODUCT HAS NOT COMPLETED VALIDATION AND QUALIFICATION TESTING

PRELIMINARY NOT RELEASED FOR PRODUCTION

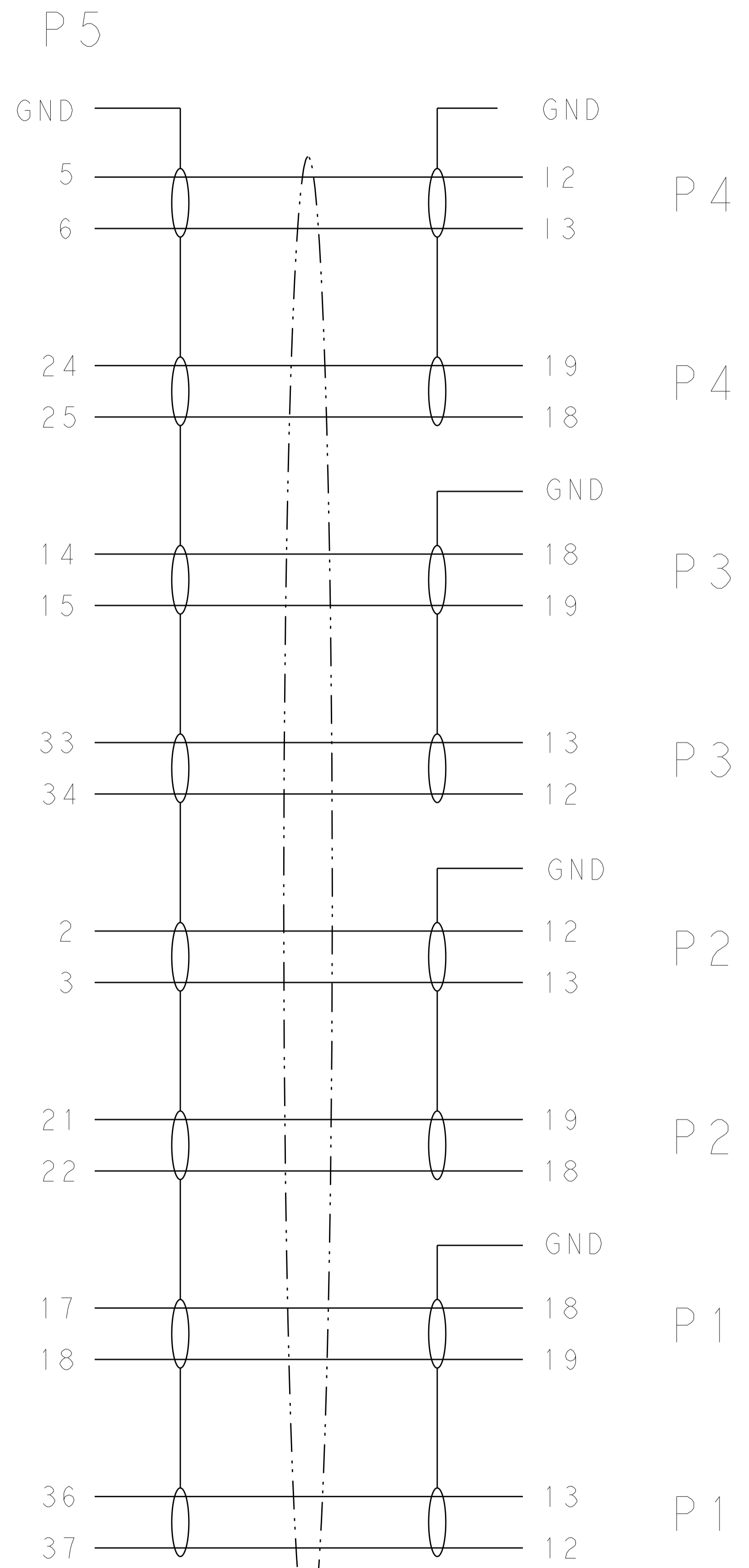
THIS DRAWING IS A CONTROLLED DOCUMENT.

DIMENSIONS:	TOLERANCES UNLESS OTHERWISE SPECIFIED:	CHK T. SMITH 12APR2016	APVD G. FRANKLIN 12APR2016	NAME CABLE ASSEMBLY, MICRO QSFP TO (4) SFP28 32 AWG
mm	0 PLC ±	APVD G. FRANKLIN 12APR2016	PRODUCT SPEC	SIZE A1
	1 PLC ±	APVD G. FRANKLIN 12APR2016	APPLICATION SPEC	SCALE 3:2
	2 PLC ±	APVD G. FRANKLIN 12APR2016	WEIGHT	SHEET 1 OF 2
	3 PLC ±	APVD G. FRANKLIN 12APR2016	CUSTOMER DRAWING	REV 2
	4 PLC ±	APVD G. FRANKLIN 12APR2016		
	ANGLES			
MATERIAL	FINISH			

TE Connectivity

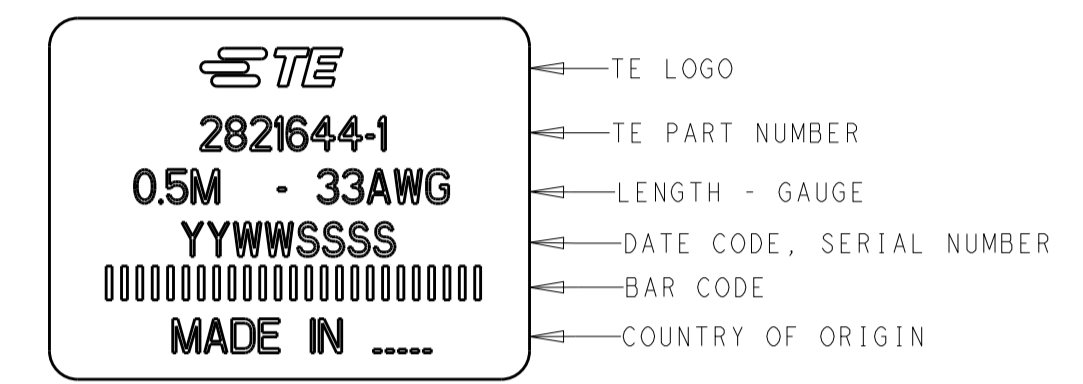
RESTRICTED TO

REVISIONS				
P.	LTN	DESCRIPTION	DATE	APVD
		SEE SHEET 1		



- CHARACTERISTIC IMPEDANCE: 100±10 OHMS (MEASURED DIFFERENTIALLY)
- CABLE ASSEMBLY TESTED FOR OPENS, SHORTS AND PROPER EEPROM PROGRAM.
- PRODUCT AND PROCESSING MEETS THE REQUIREMENTS OF TE STANDARD TEC-138-702.

△ LABEL INFORMATION: -1 SHOWN



△ LABEL INFORMATION:



△ DUE TO SHORT CABLE LENGTH, THE PART NUMBERS INDICATED MAY NOT MEET IEEE802.3bj RETURN LOSS AND MINIMUM INSERTION LOSS LIMITS.

BACKSHELL BACKSHELL P1, P2, P3, P4

THIS DRAWING IS A CONTROLLED DOCUMENT.		DWN T. SMITH 12APR2016 CHK G. FRANKLIN 12APR2016 APVD G. FRANKLIN 12APR2016	TE Connectivity	
DIMENSIONS: mm 		TOLERANCES UNLESS OTHERWISE SPECIFIED: 0 PLC ± 1 PLC ± 2 PLC ± 3 PLC ± 4 PLC ± ANGLES ± FINISH ±		NAME: CABLE ASSEMBLY, MICRO QSFP TO (4) SFP28 32 AWG PRODUCT SPEC: APPLICATION SPEC: SIZE: A1 CAGE CODE: - DRAWING NO: 2821644 RESTRICTED TO: -
MATERIAL: -		WEIGHT: -		SCALE: 3:2 SHEET: 2 OF 2 REV: 2
CUSTOMER DRAWING				