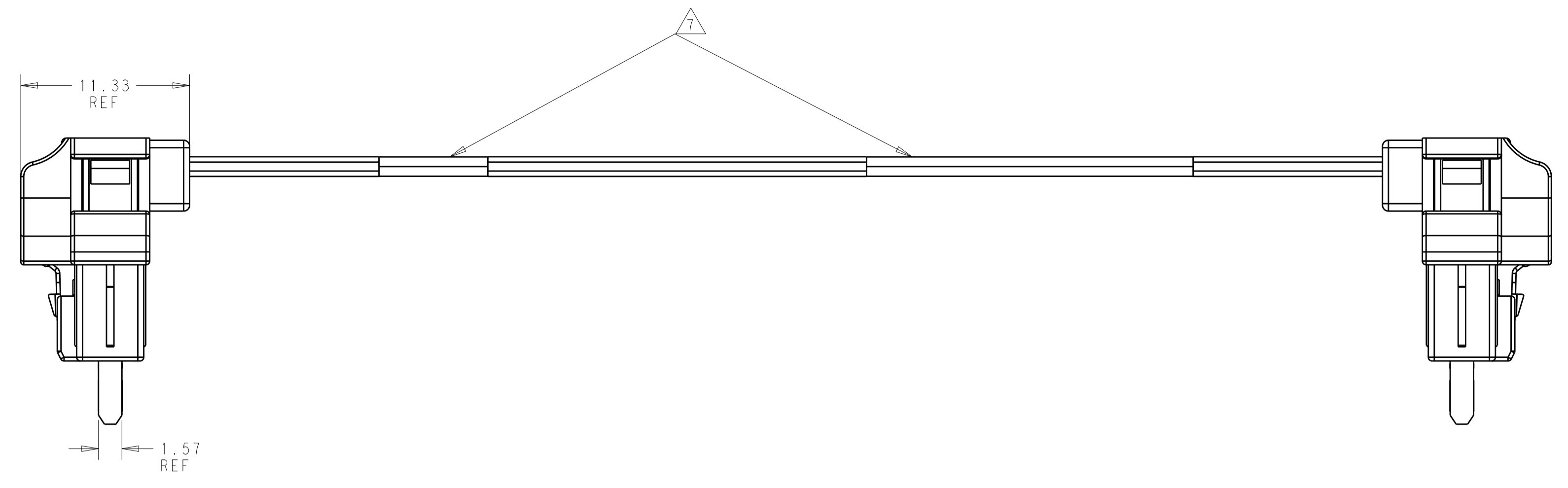
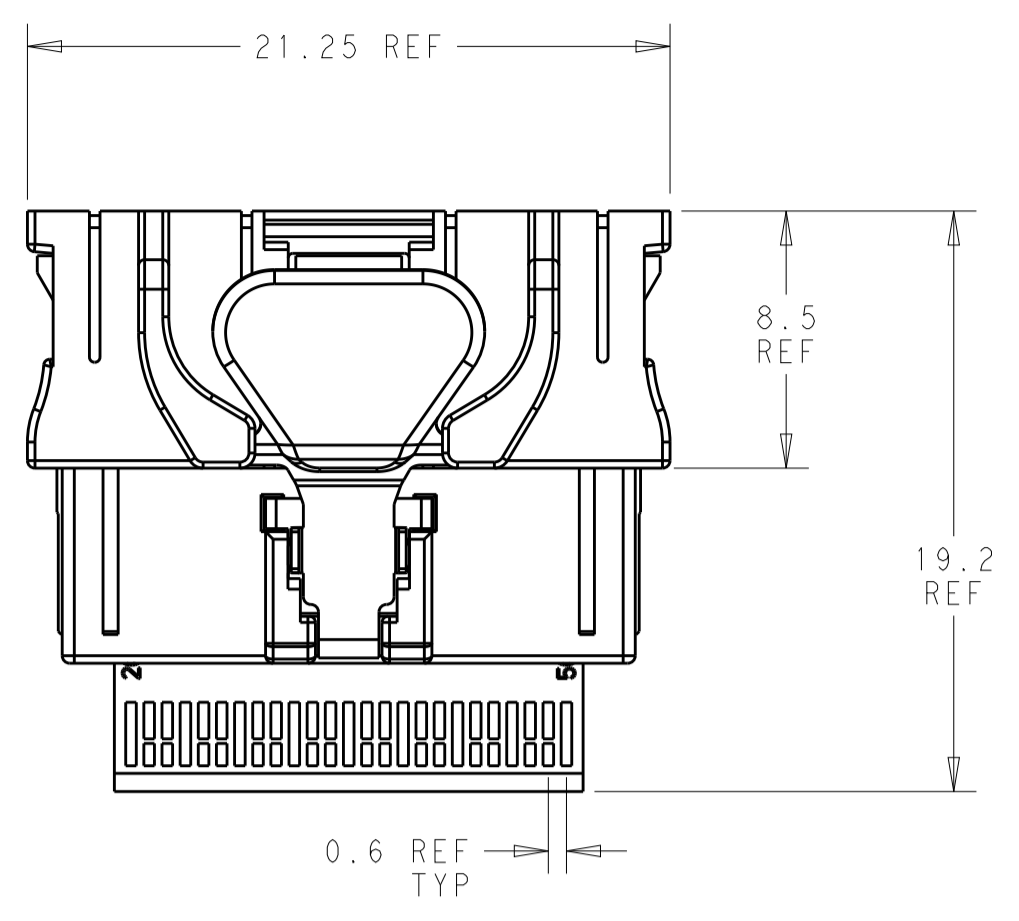
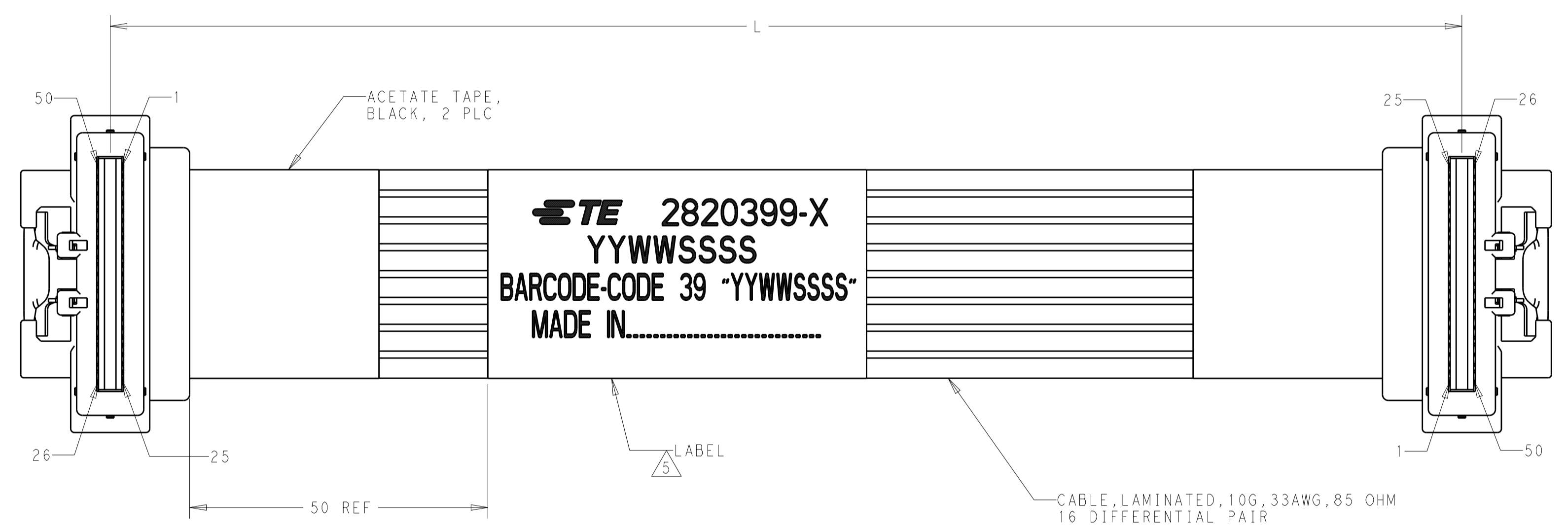


REVISIONS				
P	LTN	DESCRIPTION	DATE	APVD
A		INITIAL RELEASE ECO-18-006327	23APR2018	JR GG



P1

P2



- CABLE ASSEMBLY TO BE TESTED FOR OPENS, SHORTS AND WIRING MAPPING. CABLES ARE ALSO TO BE TESTED FOR SIGNAL INTEGRITY. 10% OF PRODUCT TO BE TESTED FOR SIGNAL INTEGRITY.
- ALL MATERIALS, COMPONENTS AND PROCESS SHALL COMPLY WITH TEC-138-702.(CONTAINS NO BANNED OR RESTRICTED SUBSTANCES).
- SEE SHEET 2 FOR WIRING SCHEMATIC.
- MINIMUM BEND RADIUS OF THE CABLE = R3mm IN THE CABLE THICKNESS AXIS ONLY. MIN BEND RADIUS DOES NOT APPLY TO CABLE BENT IN THE WIDTH AXIS.

5 LABEL INFORMATION:



- CABLE ASSEMBLIES ARE INDIVIDUALLY PACKAGED IN A CLEAR PLASTIC TUBE, SEALED ON BOTH ENDS.

7 CABLE TO HAVE UP TO A 20MM DIFFERENCE IN BUNDLE OR SECTION HEIGHT, MEASURED FROM A TABLE OR OTHER FLAT SURFACE TO OUTERMOST SECTION OF RAW CABLE. THIS DIMENSION APPLIES BETWEEN LABEL AND NEXT CLOSEST SECTION OF TAPE OR CONNECTOR. CABLE ASSEMBLY IS STILL TO CONFORM TO LENGTH DIMENSION AND TOLERANCE.

- NO REACH SVHC SHALL BE CONTAINED ABOVE THE THRESHOLD AS DEFINED IN REACH SVHC COMPLIANCE DEFINITION IN ANNEX A OF TEC-138-702.

1000±20	2820399-2
500±10	2820399-1
L	PART NO

THIS DRAWING IS A CONTROLLED DOCUMENT.		OWN T. SMITH 04APR2016	
DIMENSIONS: mm		CHK G. GUTGOLD 04APR2016	
TOLERANCES UNLESS OTHERWISE SPECIFIED:		APVD G. GUTGOLD 04APR2016	NAME
0 PLC ±		PRODUCT SPEC	CABLE ASSEMBLY, SLIVER
1 PLC ±		APPLICATION SPEC	RIGHT ANGLE, 50 POSITION
2 PLC ±		SIZE	A1
3 PLC ±		CAGE CODE	-
4 PLC ±		DRAWING NO	C=2820399
ANGLES ±		WEIGHT	-
FINISH		CUSTOMER DRAWING	SCALE 4:1 SHEET 1 OF 2 REV A

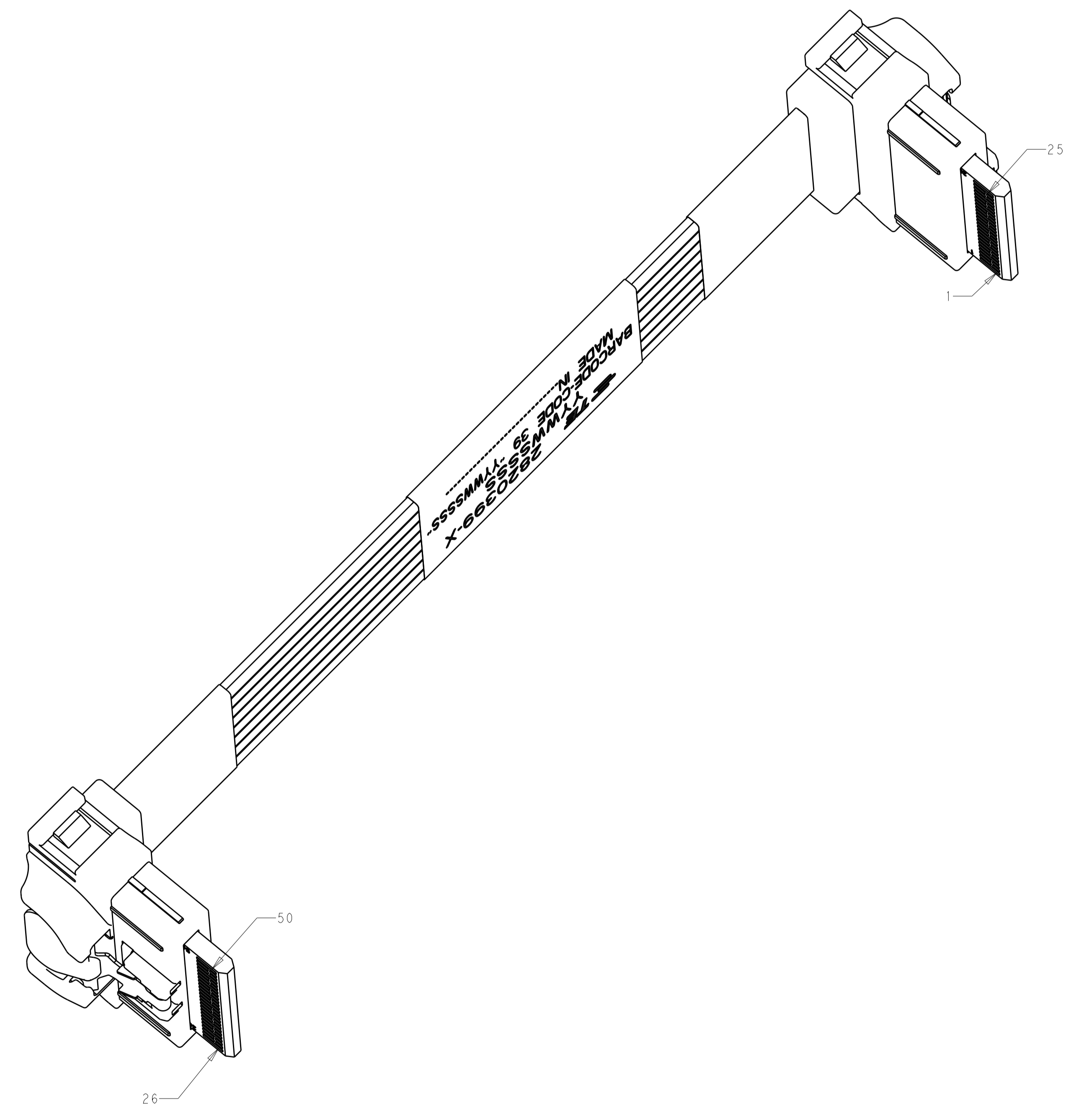
REVISIONS				
P.	LTN	DESCRIPTION	DATE	APVD
-	-	SEE SHEET 1	-	-

	P1		P2
	1	GND	25
PAIR 1	2	↔	24
	3	↔	23
	4	GND	22
PAIR 2	5	↔	21
	6	↔	20
	7	GND	19
PAIR 3	8	↔	18
	9	↔	17
	10	GND	16
PAIR 4	11	↔	15
	12	↔	14
	13	GND	13
PAIR 5	14	↔	12
	15	↔	11
	16	GND	10
PAIR 6	17	↔	9
	18	↔	8
	19	GND	7
PAIR 7	20	↔	6
	21	↔	5
	22	GND	4
PAIR 8	23	↔	3
	24	↔	2
	25	GND	1

	P1		P2
	26	GND	50
PAIR 9	27	↔	49
	28	↔	48
	29	GND	47
PAIR 10	30	↔	46
	31	↔	45
	32	GND	44
PAIR 11	33	↔	43
	34	↔	42
	35	GND	41
PAIR 12	36	↔	40
	37	↔	39
	38	GND	38
PAIR 13	39	↔	37
	40	↔	36
	41	GND	35
PAIR 14	42	↔	34
	43	↔	33
	44	GND	32
PAIR 15	45	↔	31
	46	↔	30
	47	GND	29
PAIR 16	48	↔	28
	49	↔	27
	50	GND	26

WIRING MAPPING



THIS DRAWING IS A CONTROLLED DOCUMENT.		DWN T. SMITH 04APR2016 CHK G. GUTGOLD 04APR2016 APVD G. GUTGOLD 04APR2016	
DIMENSIONS: mm 	TOLERANCES UNLESS OTHERWISE SPECIFIED: 0 PLC ± 1 PLC ± 2 PLC ± 3 PLC ± 4 PLC ± ANGLES ±	NAME CABLE ASSEMBLY, SLIVER RIGHT ANGLE, 50 POSITION	
MATERIAL	FINISH	WEIGHT CUSTOMER DRAWING	SIZE A1 CAGE CODE DRAWING NO. C=2820399 RESTRICTED TO
		SCALE 4:1	SHEET 2 OF 2 REV A