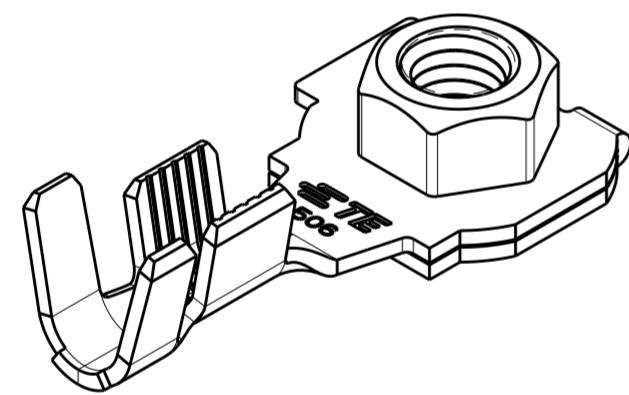
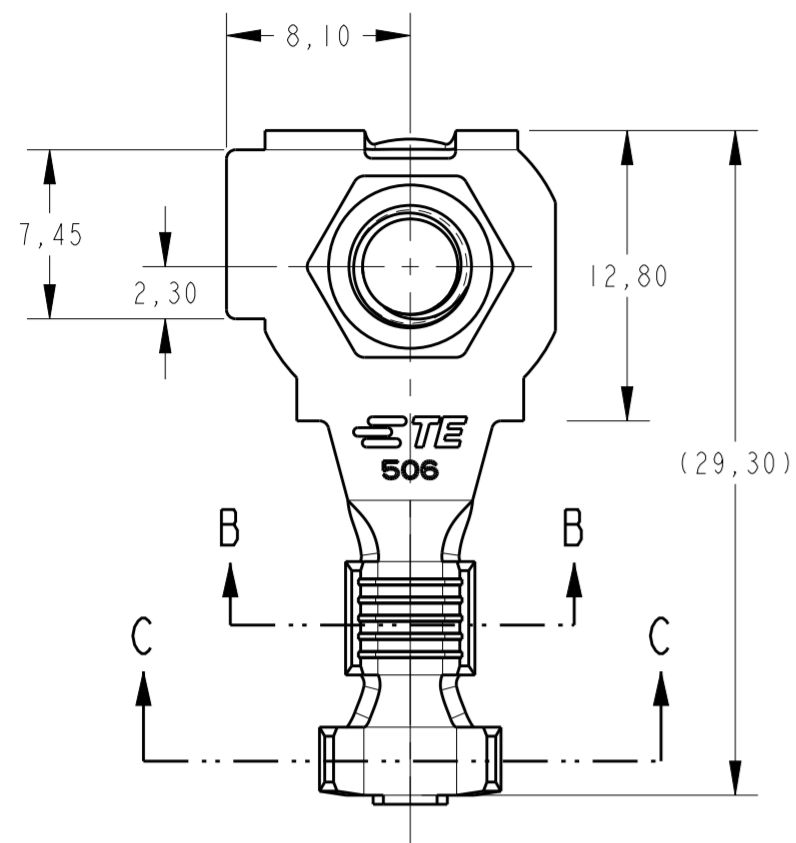


THIS DRAWING IS UNPUBLISHED. RELEASED FOR PUBLICATION
 © COPYRIGHT copyright.dBTe- ALL RIGHTS RESERVED.

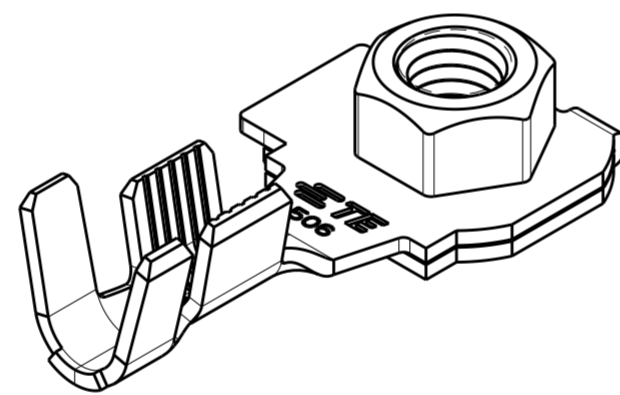
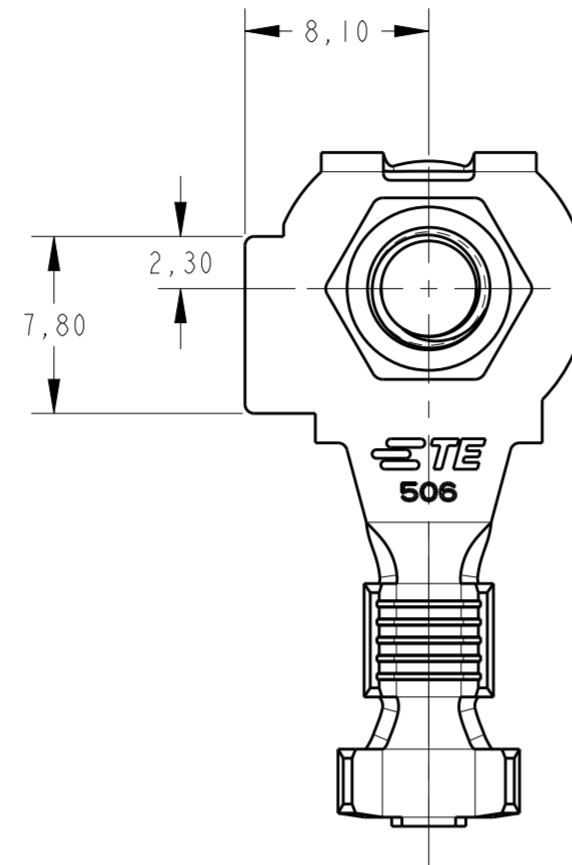
REVISIONS				
P	LTR	DESCRIPTION	DATE	APVD
1		FIRST ISSUE RSA-16-035-12	26AUG2016	NCL RKL
2		REVISED BY RSA16/107-02	21NOV2016	MG RKL
3		REVISED BY RSA16/107-03	22DEC2016	MG RKL
A		REVISED BY ECO-17-003392	10MAR2017	GB RKL

2819608-1 POLARIZAÇÃO "A"
POLARIZATION "A"



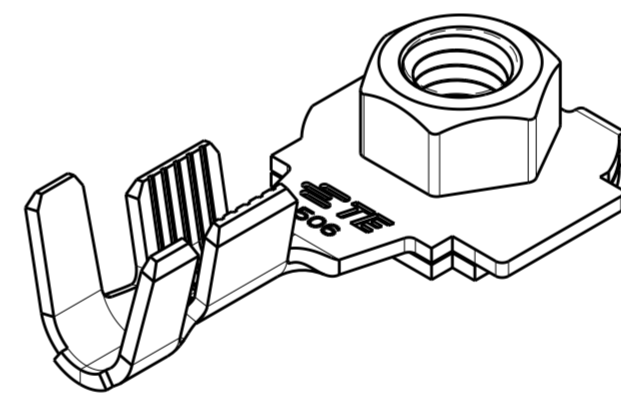
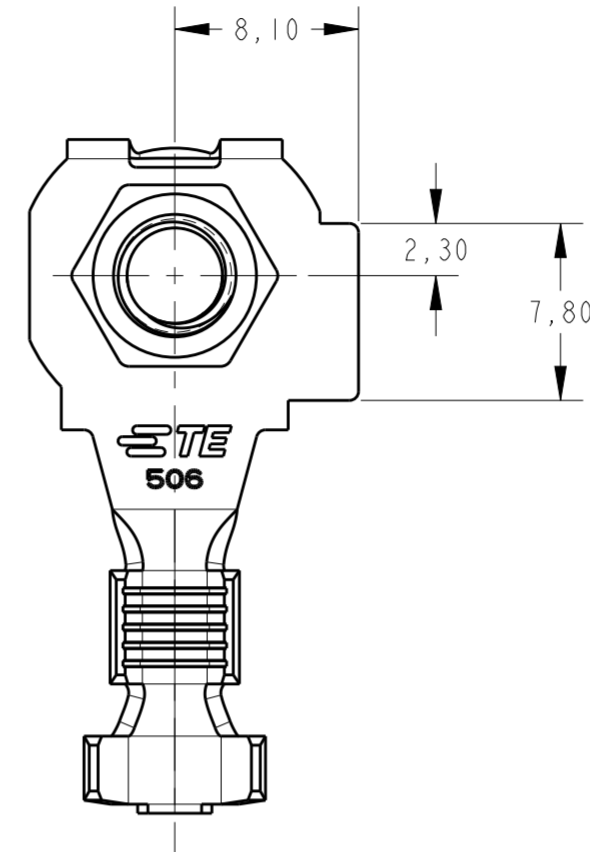
PERSPECTIVE VIEW

2819608-2 POLARIZAÇÃO "B"
POLARIZATION "B"



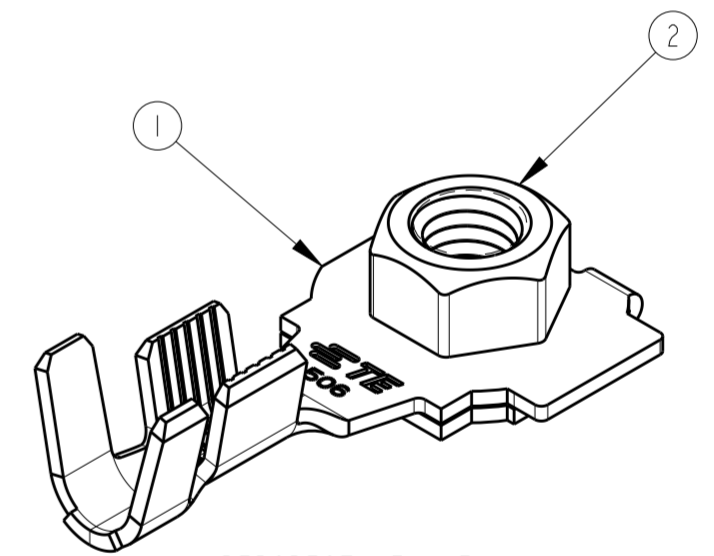
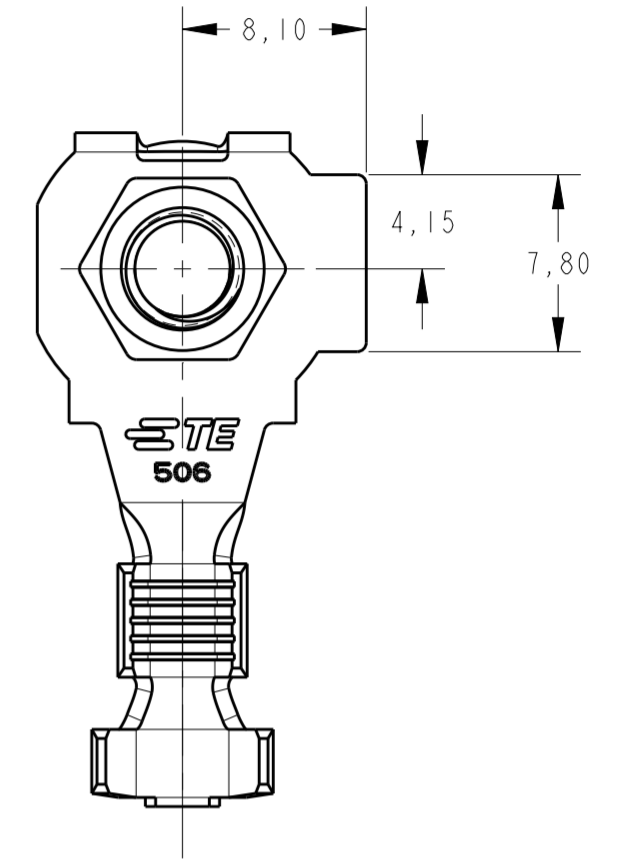
PERSPECTIVE VIEW

2819608-3 POLARIZAÇÃO "C"
POLARIZATION "C"



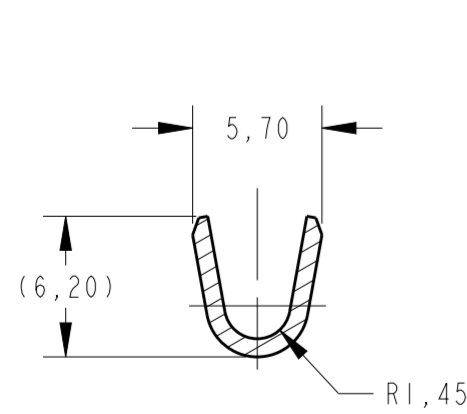
PERSPECTIVE VIEW

2819608-4 POLARIZAÇÃO "D"
POLARIZATION "D"

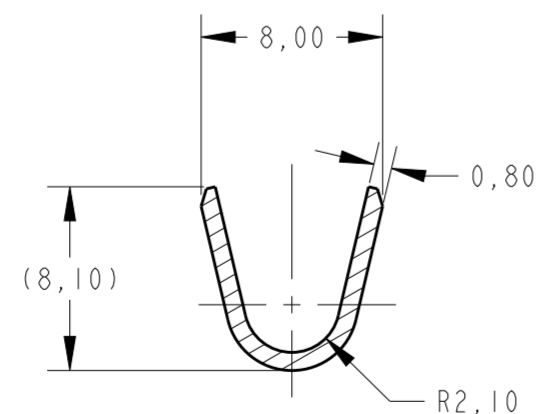


PERSPECTIVE VIEW

- 1 - TORQUE ESPECIFICADO PARA PORCA DO TERMINAL DE 3,8 A 5,6 Nm
SPECIFIED TORQUE TO TERMINAL NUT IS 3,8 TO 5,6 Nm
- 2 - KIT APLICADOR PN: 7-1893977-1
KIT APPLICATOR PN: 7-1893977-1



SECTION B-B



SECTION C-C

PARA TODAS POLARIZAÇÕES
FOR ALL POLARIZATIONS

creo
Creo Parametric 3.0
DO NOT REVISE
EXCEPT BY CAD

WIRE RANGE	INSUL. RANGE
4-6mm ²	4,0-5,2

ITEM	DESCRIPTION	MATERIAL	FINISH
2	SPECIAL NUT M5	AÇO / STEEL	ZINC NICKEL
1	TERMINAL RINGUE TONGUE M5	LATÃO / BRASS	TIN PLATED

THIS DRAWING IS A CONTROLLED DOCUMENT.		DWN: NCLAPRESA 10AUG2016	TE Connectivity
DIMENSIONS: mm		CHK: EFORTUNATO 10AUG2016	
TOLERANCES UNLESS OTHERWISE SPECIFIED:		APVD: RKLME 10AUG2016	
0 PLC	±	PRODUCT SPEC	NAME: TERMINAL ASSY., RING TONGUE M5
1 PLC	±	APPLICATION SPEC	SIZE: A2
2 PLC	±0,3	WEIGHT: -	CAGE CODE: -
3 PLC	±	CUSTOMER DRAWING	DRAWING NO: C-2819608
4 PLC	±	SCALE: 3:1	SHEET: 1 OF 1
ANGLES	±	REV: A	
FINISH			