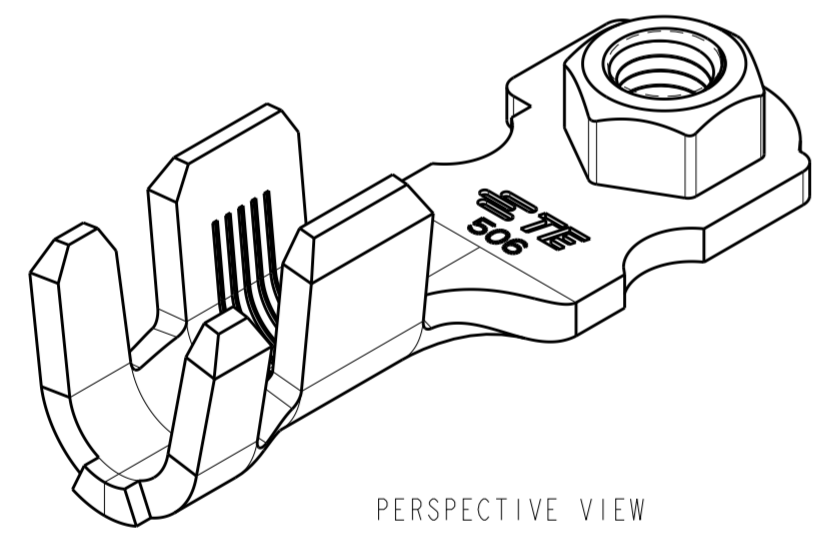
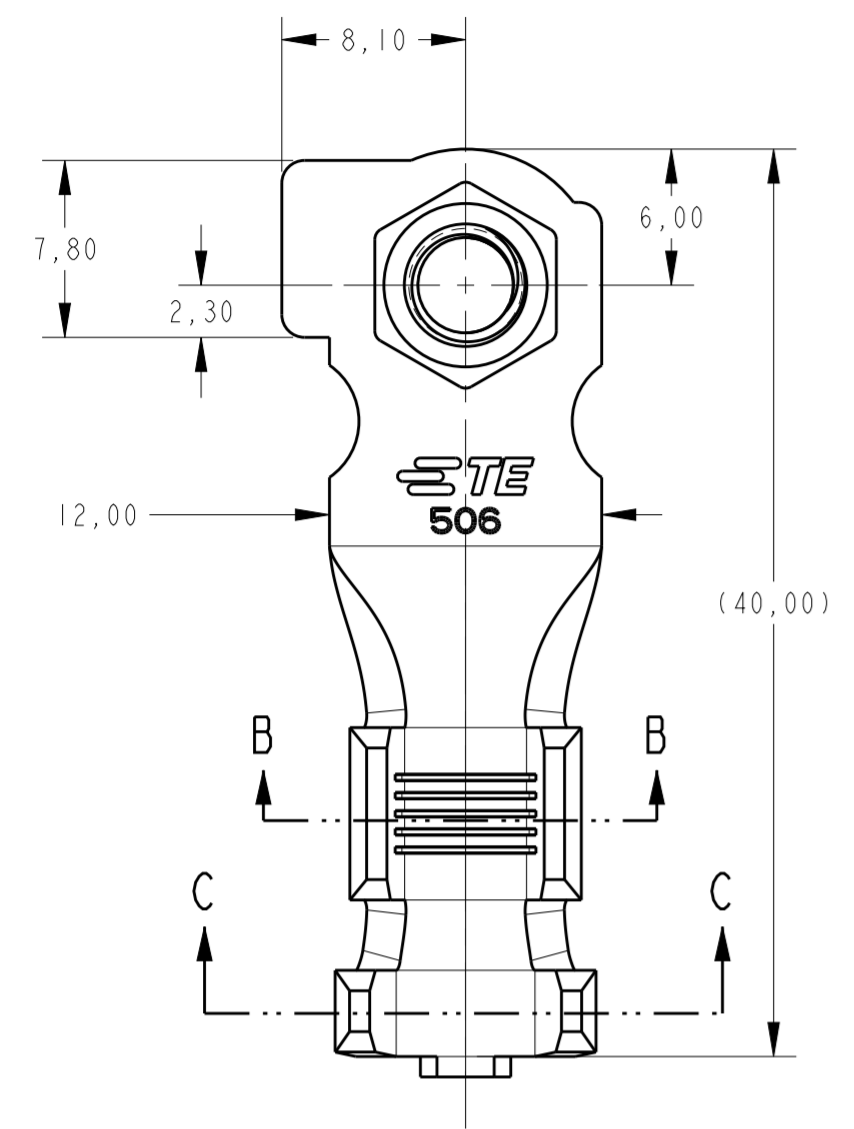


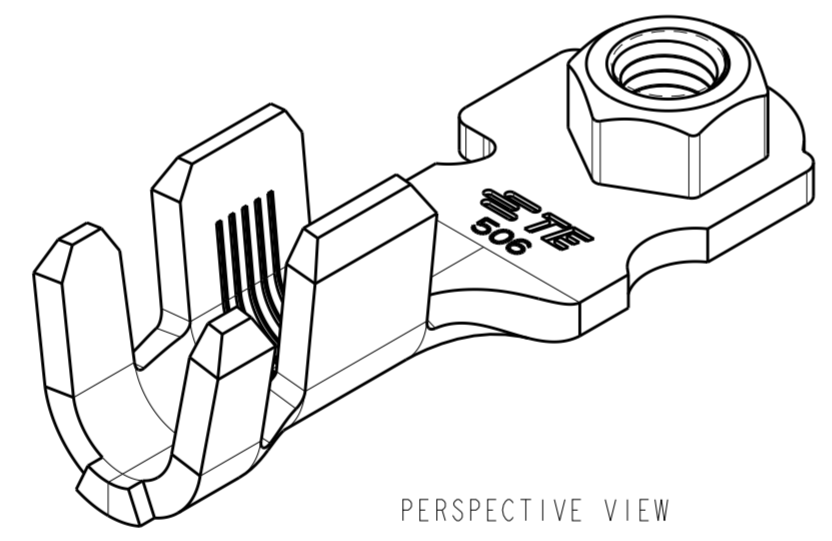
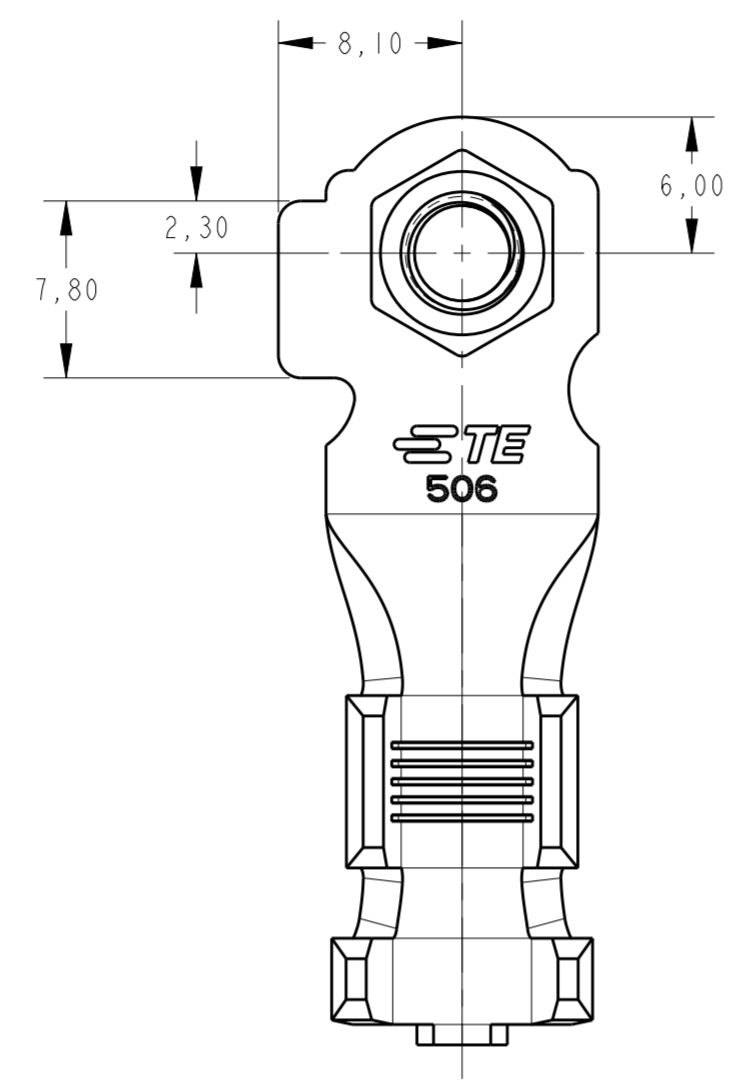
THIS DRAWING IS UNPUBLISHED. RELEASED FOR PUBLICATION  
 © COPYRIGHT copyright.dBTe- ALL RIGHTS RESERVED.

REVISIONS				
P	LTR	DESCRIPTION	DATE	APVD
1		RELEASED RSA-16-035-02	26AUG2016	NCL RKL
2		REVISED BY RSA16/107-02	18NOV2016	MG RKL
3		REVISED BY RSA16/107-03	22DEC2016	MG RKL
A		REVISED BY ECO-17-003392	10MAR2017	GB RKL

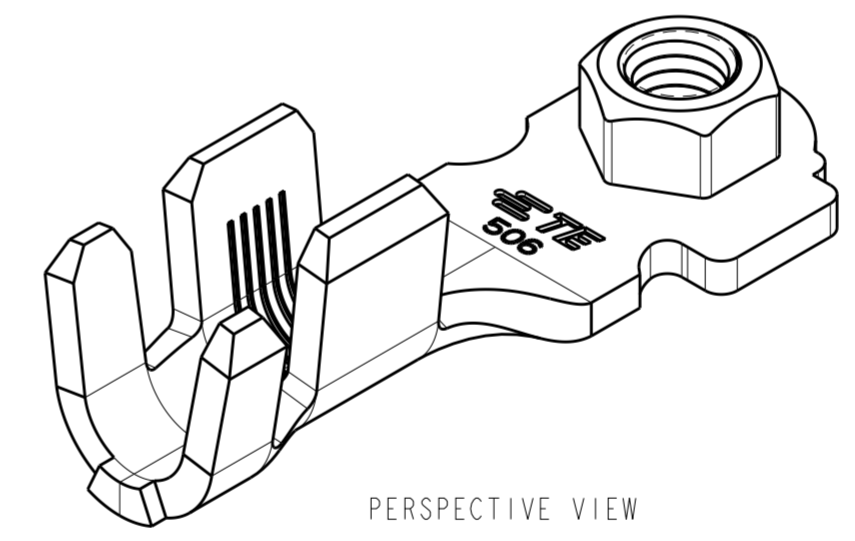
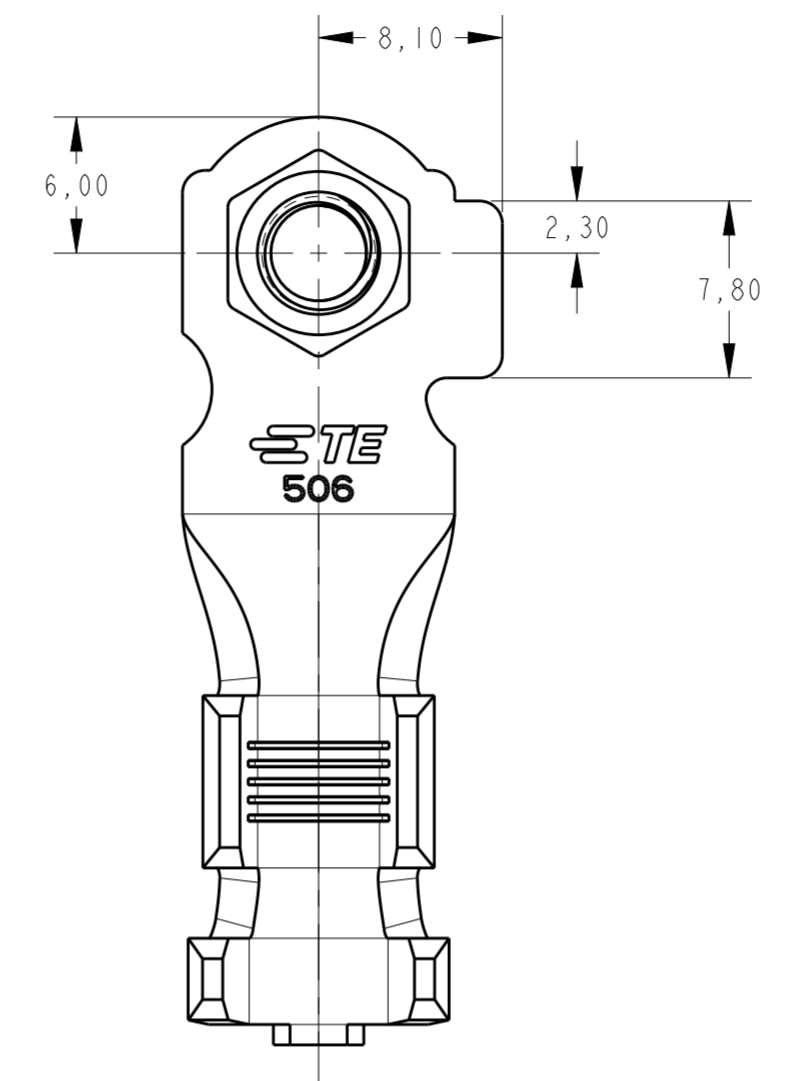
2819559-1 POLARIZAÇÃO "A"  
POLARIZATION "A"



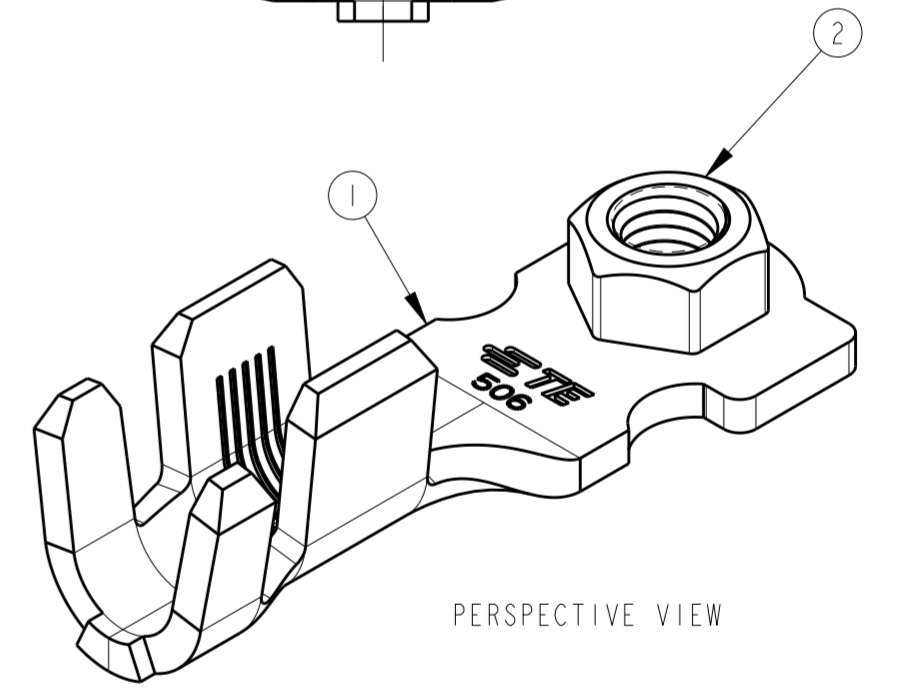
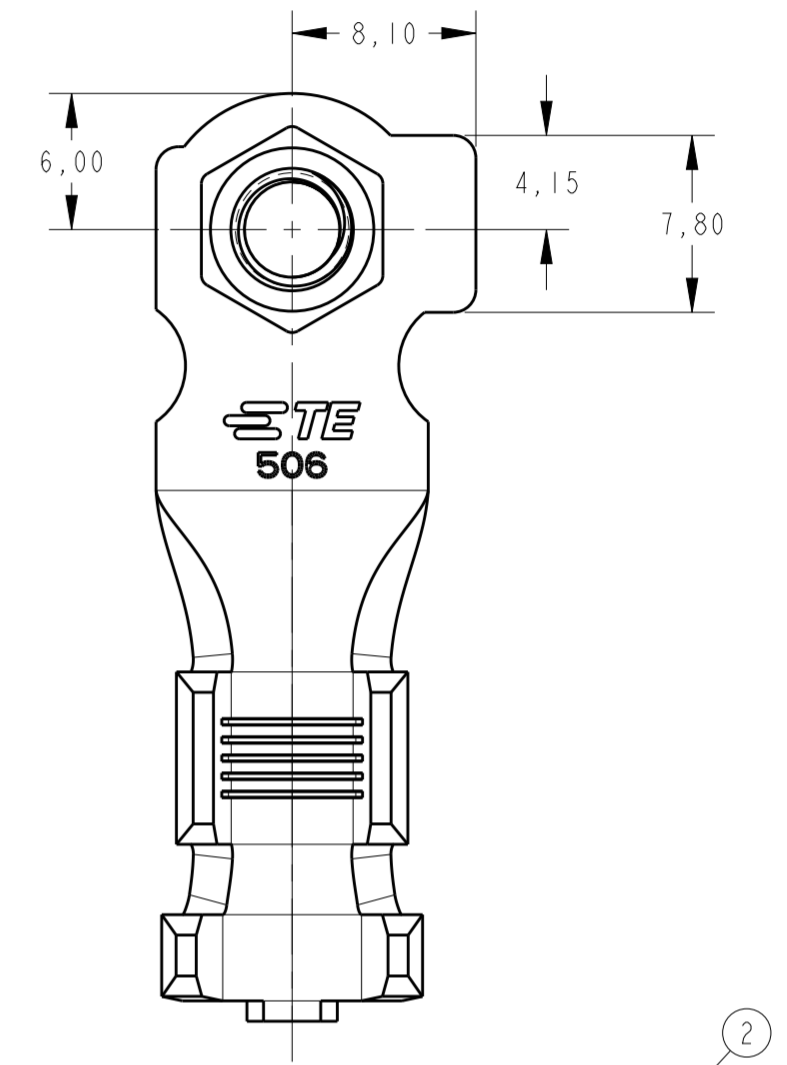
2819559-2 POLARIZAÇÃO "B"  
POLARIZATION "B"



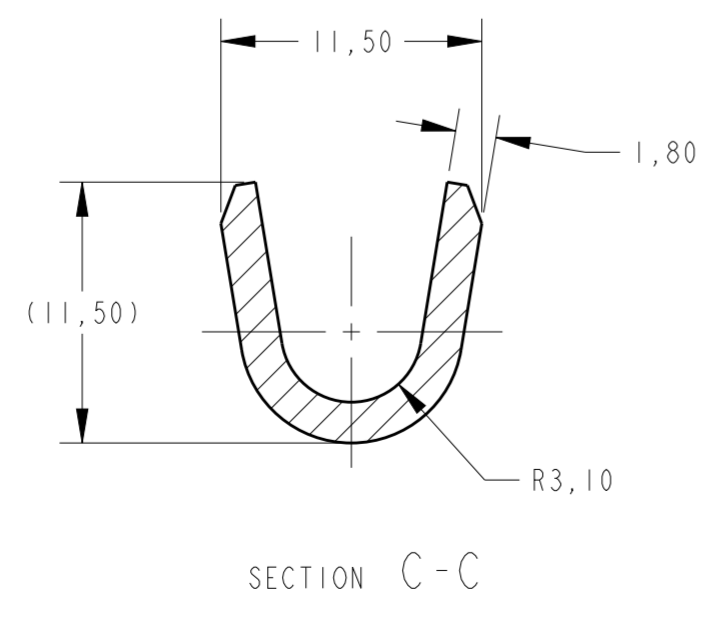
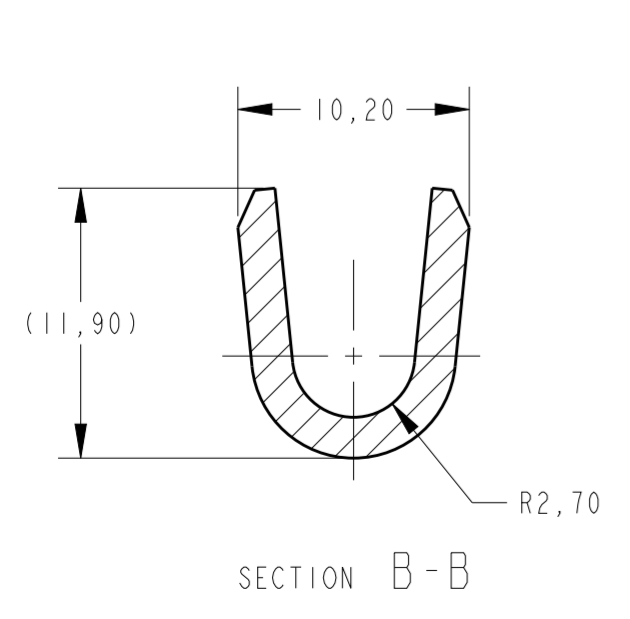
2819559-3 POLARIZAÇÃO "C"  
POLARIZATION "C"



2819559-4 POLARIZAÇÃO "D"  
POLARIZATION "D"



- 1 - TORQUE ESPECIFICADO PARA PORCA DO TERMINAL DE 3,8 A 5,6 Nm  
SPECIFIED TORQUE TO TERMINAL NUT IS 3,8 TO 5,6 Nm
- 2 - KIT APLICADOR PN: 7-1893976-1  
KIT APPLICATOR PN: 7-1893976-1



PARA TODAS POLARIZAÇÕES  
FOR ALL POLARIZATIONS

2	SPECIAL NUT M5	AÇO / STEEL	ZINC NICKEL
1	TERMINAL RINGUE TONGUE M5	LATÃO / BRASS	TIN PLATED
REQ. PER ASSY			
-4-3-2-1	ITEM	DESCRIPTION	MATERIAL
2819559			FINISH
THIS DRAWING IS A CONTROLLED DOCUMENT.		DWN NCLAPRESA 09AUG2016	TE Connectivity
DIMENSIONS: mm		CHK FFORTUNATO 09AUG2016	
TOLERANCES UNLESS OTHERWISE SPECIFIED:		APVD RKLME 09AUG2016	
0 PLC	±	PRODUCT SPEC	NAME
1 PLC	±	APPLICATION SPEC	TERMINAL ASSY., RING TONGUE M5
2 PLC	±0,3	WEIGHT	SIZE
3 PLC	±	CUSTOMER DRAWING	A2
4 PLC	±	SCALE	3:1
ANGLES	±	SHEET	OF
FINISH	±	REV	A

creo  
C reo Parametric 3.0  
DO NOT REVISE  
EXCEPT BY CAD

WIRE RANGE	INSUL. RANGE
10-16mm <sup>2</sup>	5,5-7,7