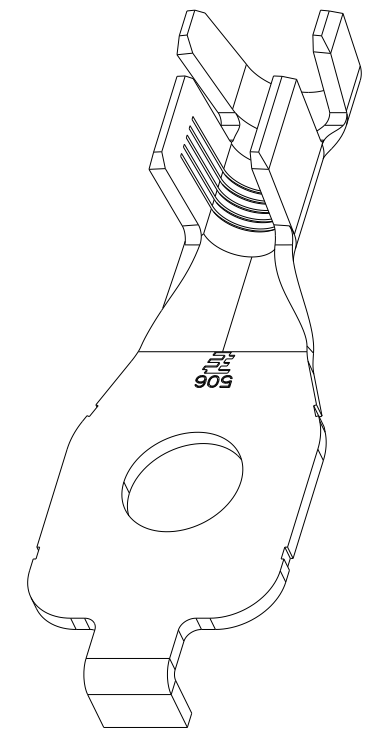
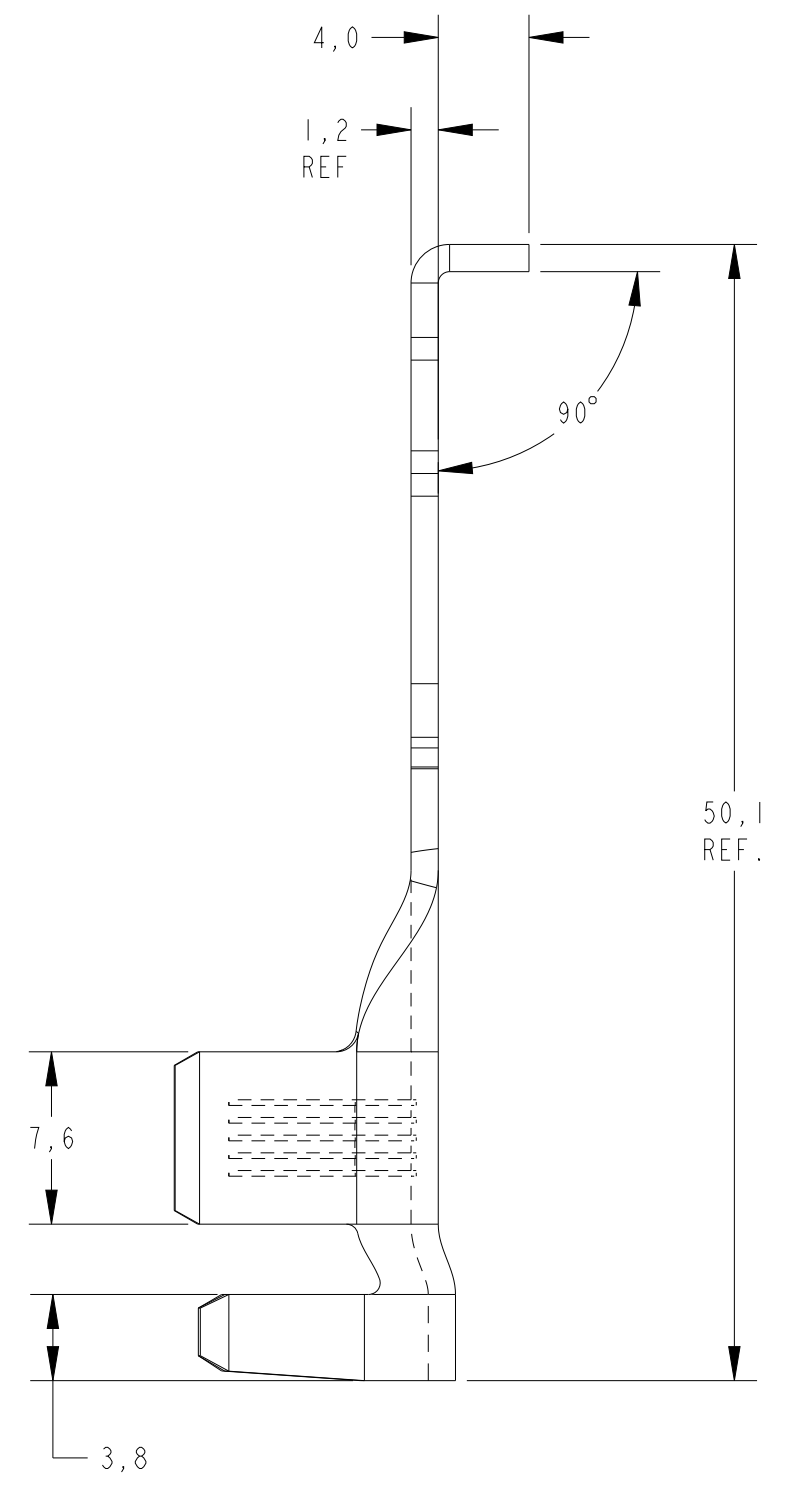
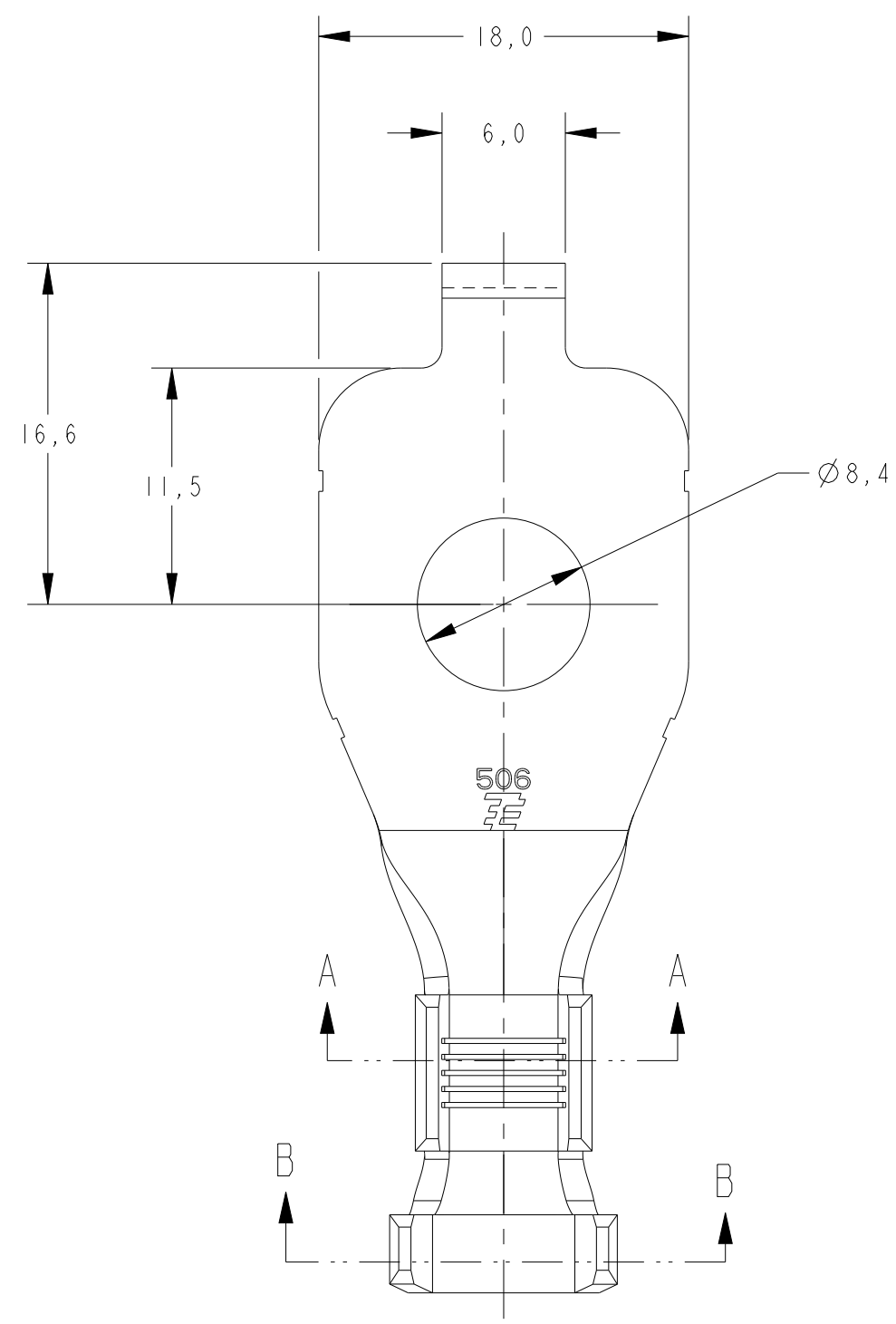


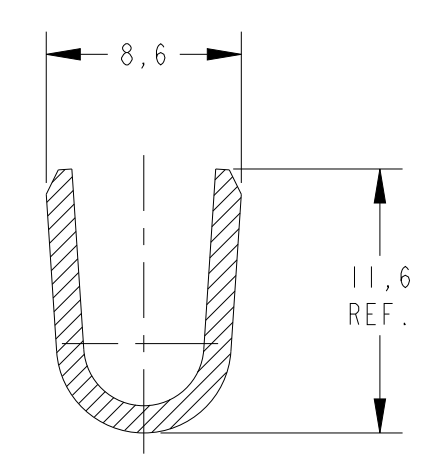
THIS DRAWING IS UNPUBLISHED. RELEASED FOR PUBLICATION 20
 © COPYRIGHT 20 ALL RIGHTS RESERVED.

LOC		DIST		REVISIONS			
P	LTR	DESCRIPTION	DATE	DWN	APVD		
AP	-						
A6		REVISED BY ECN-21-111464	06AUG2021	PSB	NMS		
A7		REVISED BY ECN-22-154112	30MAY2022	NMS	DAO		
A8		REVISED BY ECN-23-210531	27APR2023	MJI	NMS		
A9		REVISED BY ECN-23-214222	23MAY2023	MJI	NMS		

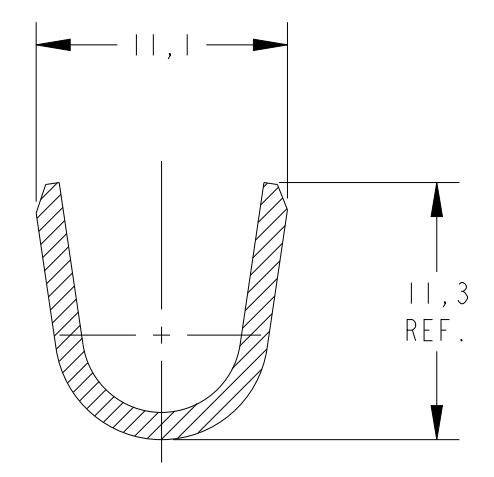
creo
 Creo Parametric 7.0
DO NOT REVISE
EXCEPT BY CAD



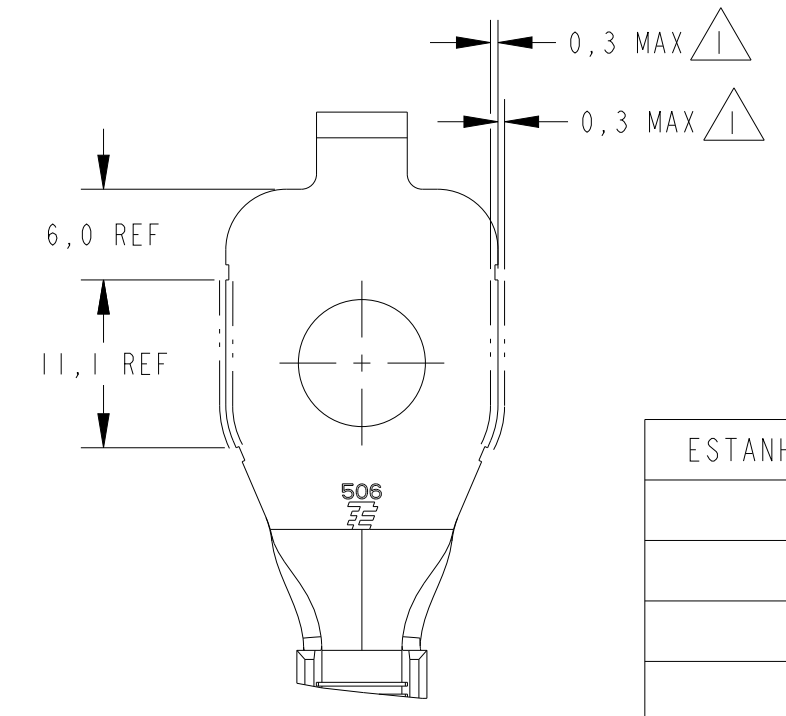
PERSPECTIVE VIEW
 SCALE 2:1



SECTION A-A
 SCALE 3:1



SECTION B-B
 SCALE 3:1



CUTOFF DETAIL
 SCALE 2:1

△ - VARIAÇÃO PERMITIDA NO CORTE DO CARRIER
 VARIATION ALLOWED DUE CARRIER CUTTING

FINISH	MATERIAL	PART NO
ESTANHO SOBRE NÍQUEL / TIN OVER NICKEL	LATÃO / BRASS	2819150-7
ESTANHADO / TINNED	LATÃO / BRASS	2819150-6
ESTANHADO / TINNED	LATÃO / BRASS	2819150-5
ESTANHADO / TINNED	LATÃO / BRASS	2819150-4
ESTANHADO / TINNED	LATÃO / BRASS	2819150-3
ESTANHADO / TINNED	LATÃO / BRASS	2819150-1

10 - 16	5,5 - 7,7
WIRE-RANGE (mm ²)	INSULATION RANGE (Ømm)

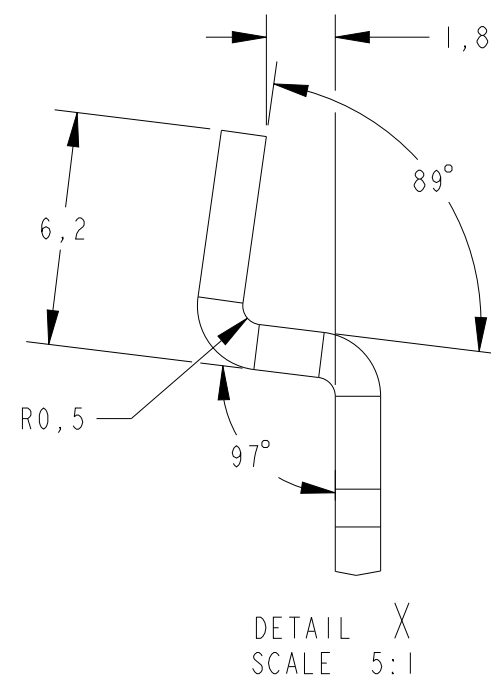
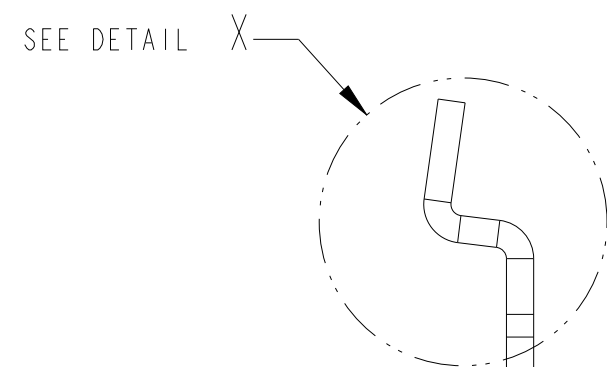
THIS DRAWING IS A CONTROLLED DOCUMENT.

DIMENSIONS: mm	TOLERANCES UNLESS OTHERWISE SPECIFIED:	DWN: NCLAPRESA 15AGU2014	TE Connectivity
	0 PLC ±	CHK: JRGOLDSCHMIDT 15AGU2014	
	1 PLC ±0,3	APVD: GBONUCCI 15AGU2014	
	2 PLC ±	PRODUCT SPEC	
MATERIAL: SEE TABLE	SEE TABLE	APPLICATION SPEC: 114-37016	NAME: TERMINAL RING TONGUE M8
		WEIGHT: 7,8g	SIZE: A2
		CUSTOMER DRAWING	CAGE CODE: 00779
			DRAWING NO: C-2819150
			RESTRICTED TO: -
			SCALE: 3:1
			SHEET 1 OF 5
			REV A9

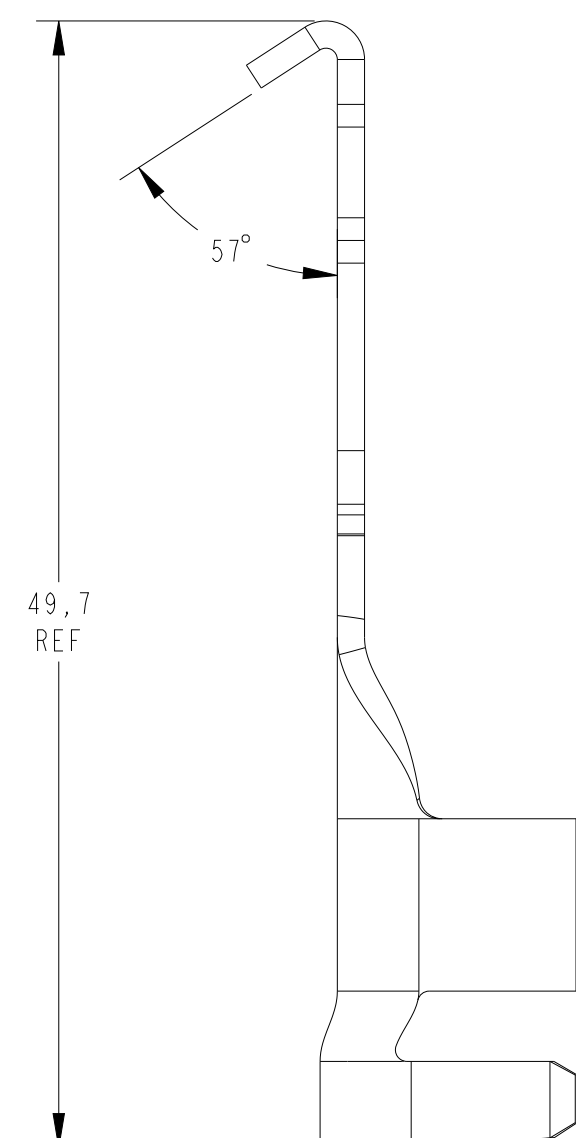
LOC	DIST	REVISIONS					
AP	-	P	LTR	DESCRIPTION	DATE	DWN	APVD
		-		SEE SHEET 1	-	-	-

creo
Creo Parametric 2.0
DO NOT REVISE
EXCEPT BY CAD


2819150-3



2819150-4



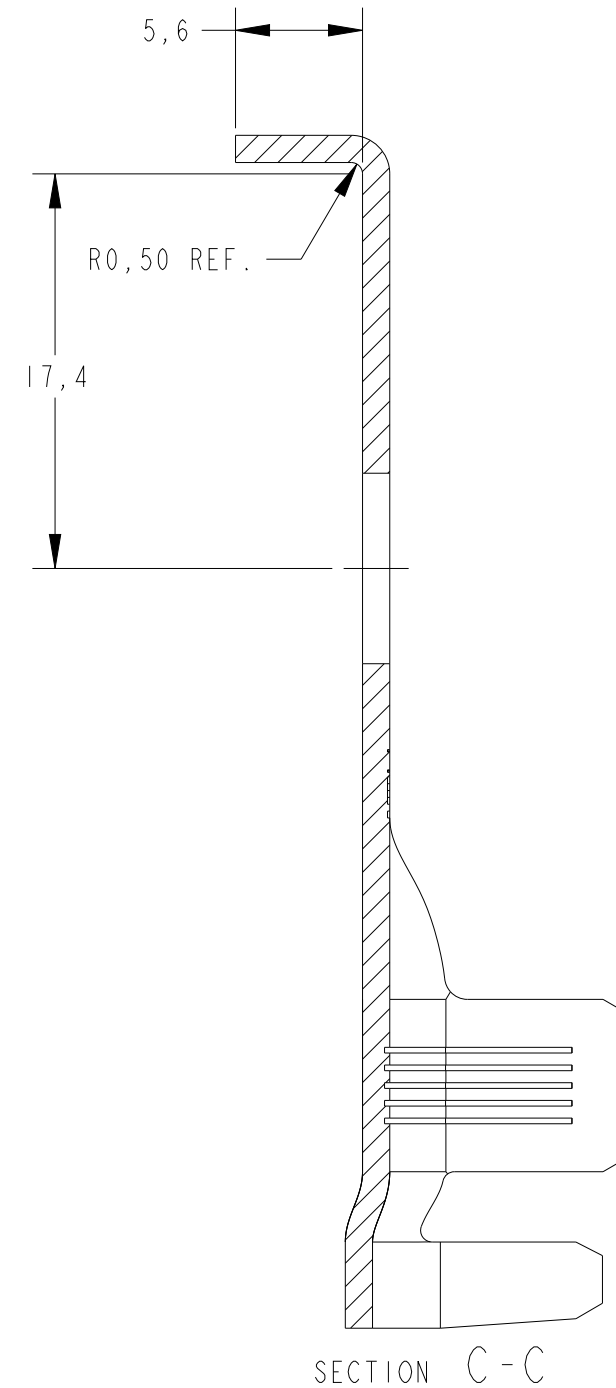
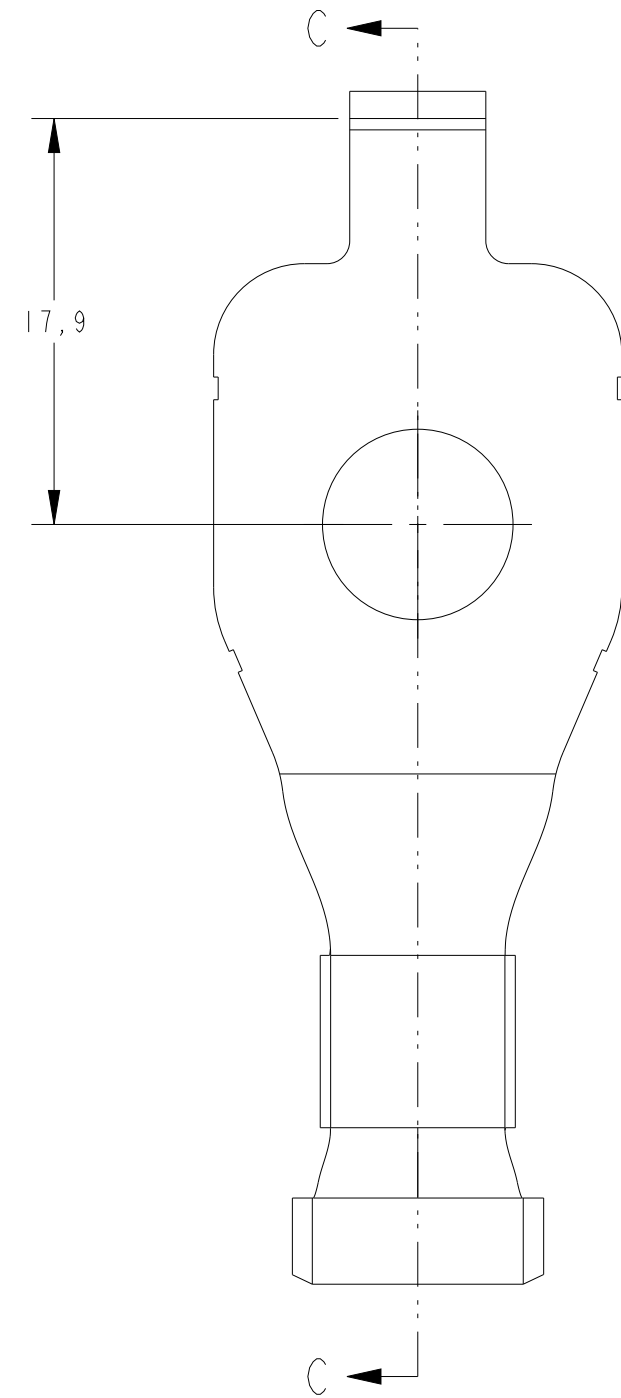
OUTRAS DIMENSÕES, VER FOLHA 1 DE 5
OTHER DIMENSIONS, SEE SHEET 1 OF 5

THIS DRAWING IS A CONTROLLED DOCUMENT.		DWN	15AGU2014		 TE Connectivity
		CHK	15AGU2014		
		APVD	15AGU2014		
		PRODUCT SPEC	GBONUCCI		
DIMENSIONS:		TOLERANCES UNLESS OTHERWISE SPECIFIED:		NAME	
mm	0 PLC ±	±0,3		TERMINAL RING TONGUE M8	
	1 PLC ±	±		-	
	2 PLC ±	±		-	
	3 PLC ±	±		-	
	4 PLC ±	±		-	
	ANGLES	±3°		SIZE	
	FINISH	SEE TABLE		CAGE CODE	
MATERIAL	SEE TABLE	APPLICATION SPEC		DRAWING NO	
		114-37016		RESTRICTED TO	
		WEIGHT		-	
		7,8g		-	
		CUSTOMER DRAWING		SCALE	
				3:1	
				SHEET	
				2 OF 5	
				REV	
				A9	

THIS DRAWING IS UNPUBLISHED. RELEASED FOR PUBLICATION 20
 © COPYRIGHT 20 ALL RIGHTS RESERVED.

LOC		DIST		REVISIONS			
P	LTR	DESCRIPTION	DATE	DWN	APVD		
-	-	SEE SHEET 1	-	-	-		

2819150-5



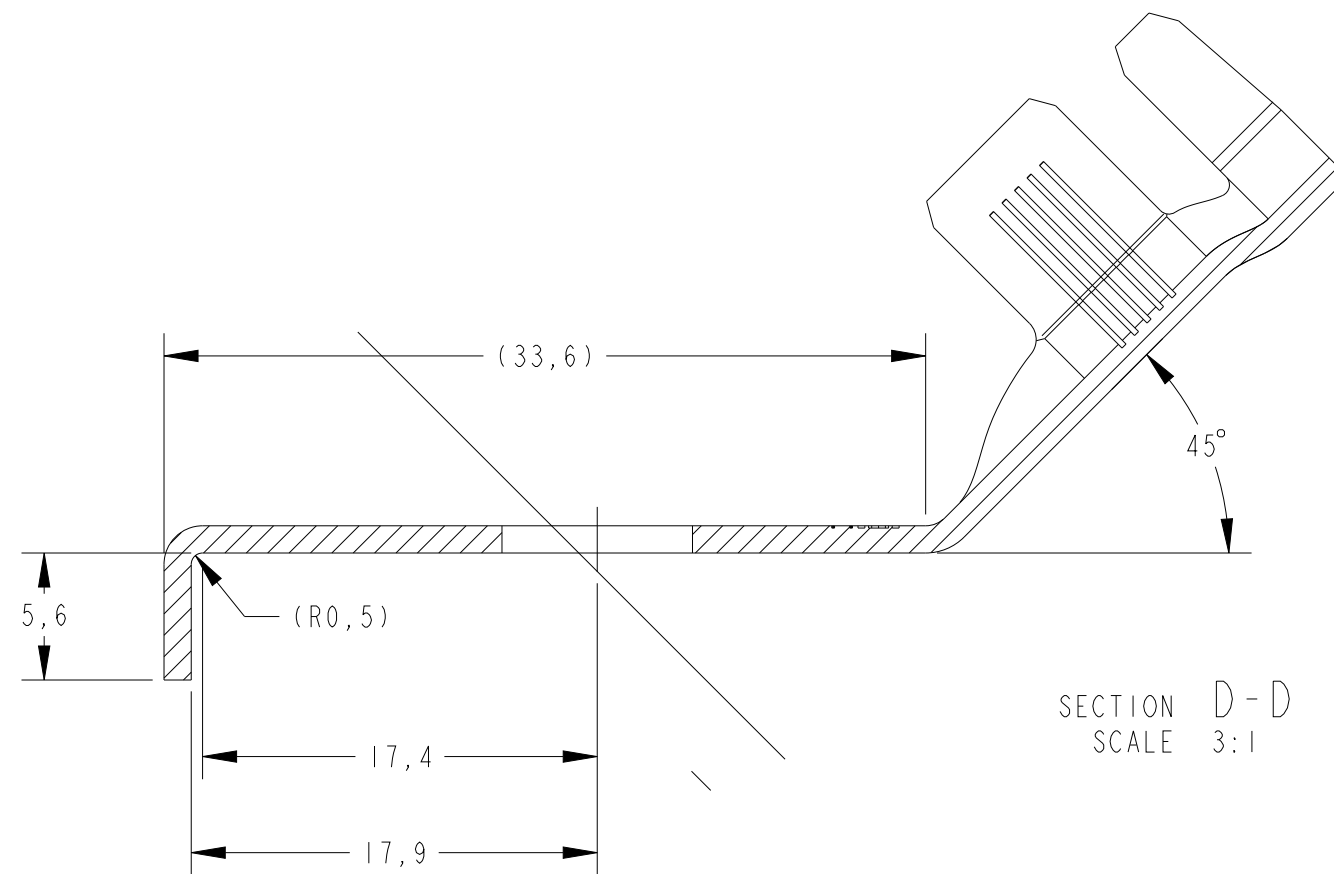
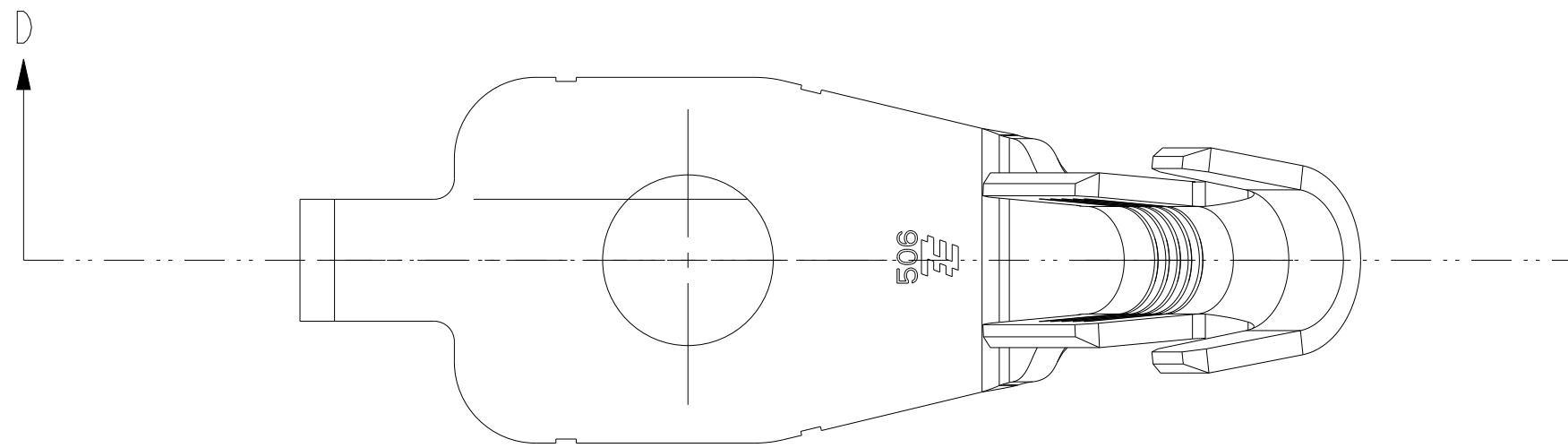
OUTRAS DIMENSÕES, VER FOLHA 1 DE 5
 OTHER DIMENSIONS, SEE SHEET 1 OF 5

THIS DRAWING IS A CONTROLLED DOCUMENT.		DWN NCLAPRESA 15AGU2014	TE Connectivity	
DIMENSIONS: mm		CHK JRGOLDSCHMIDT 15AGU2014		
TOLERANCES UNLESS OTHERWISE SPECIFIED:		APVD GBONUCCI 15AGU2014	NAME TERMINAL RING TONGUE M8	
		PRODUCT SPEC -	-	
MATERIAL SEE TABLE		APPLICATION SPEC 114-37016	SIZE A2	CAGE CODE 00779
FINISH SEE TABLE		WEIGHT 7,8g	DRAWING NO C-2819150	RESTRICTED TO -
CUSTOMER DRAWING			SCALE 3:1	SHEET 3 OF 5
			REV A9	


THIS DRAWING IS UNPUBLISHED. RELEASED FOR PUBLICATION 20
 © COPYRIGHT 20 ALL RIGHTS RESERVED.

LOC		DIST		REVISIONS			
P	LTR	DATE	DWN	APVD			
AP	-	-	-	-	SEE SHEET 1		

2819150-6



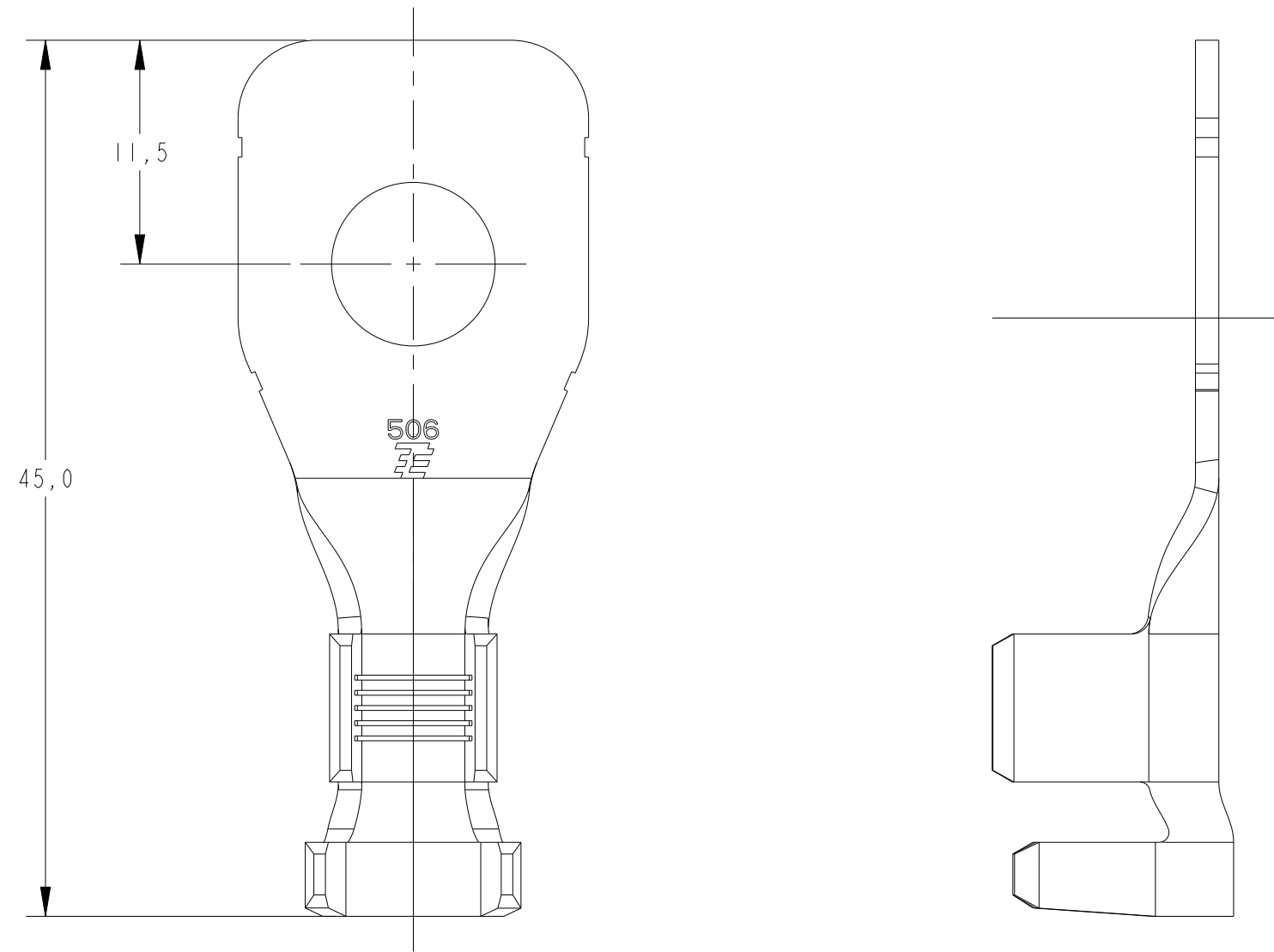
OUTRAS DIMENSÕES, VER FOLHA 1 DE 5
 OTHER DIMENSIONS, SEE SHEET 1 OF 5

THIS DRAWING IS A CONTROLLED DOCUMENT.		DWN NCLAPRESA 15AGU2014	 TE Connectivity	
DIMENSIONS: mm		CHK JRGOLDSCHMIDT 15AGU2014		
TOLERANCES UNLESS OTHERWISE SPECIFIED:		APVD GBONUCCI 15AGU2014	NAME TERMINAL RING TONGUE M8	
0 PLC ± 1 PLC ±0,3 2 PLC ± 3 PLC ± 4 PLC ± ANGLES ±3° FINISH		PRODUCT SPEC -	APPLICATION SPEC 114-37016	RESTRICTED TO -
MATERIAL SEE TABLE		WEIGHT 9,2g	SIZE A2	CAGE CODE 00779
SEE TABLE		CUSTOMER DRAWING	DRAWING NO C-2819150	SCALE 3:1
			SHEET 4	OF 5
			REV A9	

THIS DRAWING IS UNPUBLISHED. RELEASED FOR PUBLICATION 20
 © COPYRIGHT 20 ALL RIGHTS RESERVED.

LOC	DIST	REVISIONS			
P	LTR	DESCRIPTION	DATE	DWN	APVD
AP	-	SEE SHEET 1	-	-	-

2819150-7



OUTRAS DIMENSÕES, VER FOLHA 1 DE 5
 OTHER DIMENSIONS, SEE SHEET 1 OF 5

THIS DRAWING IS A CONTROLLED DOCUMENT.		DWN M. IBUSUKI 27MAY2023	STE TE Connectivity	
DIMENSIONS: mm		CHK N. SANTOS 27MAY2023		
TOLERANCES UNLESS OTHERWISE SPECIFIED:		APVD R. LEME 27MAY2023	NAME TERMINAL RING TONGUE M8	
0 PLC ± 1 PLC ±0,3 2 PLC ± 3 PLC ± 4 PLC ±		PRODUCT SPEC -	-	
ANGLES ±3°		APPLICATION SPEC 114-37016	SIZE A2	CAGE CODE 00779
FINISH		WEIGHT 7,5g	DRAWING NO C-2819150	RESTRICTED TO -
SEE TABLE		CUSTOMER DRAWING		SCALE 3:1 SHEET 5 OF 5 REV A9