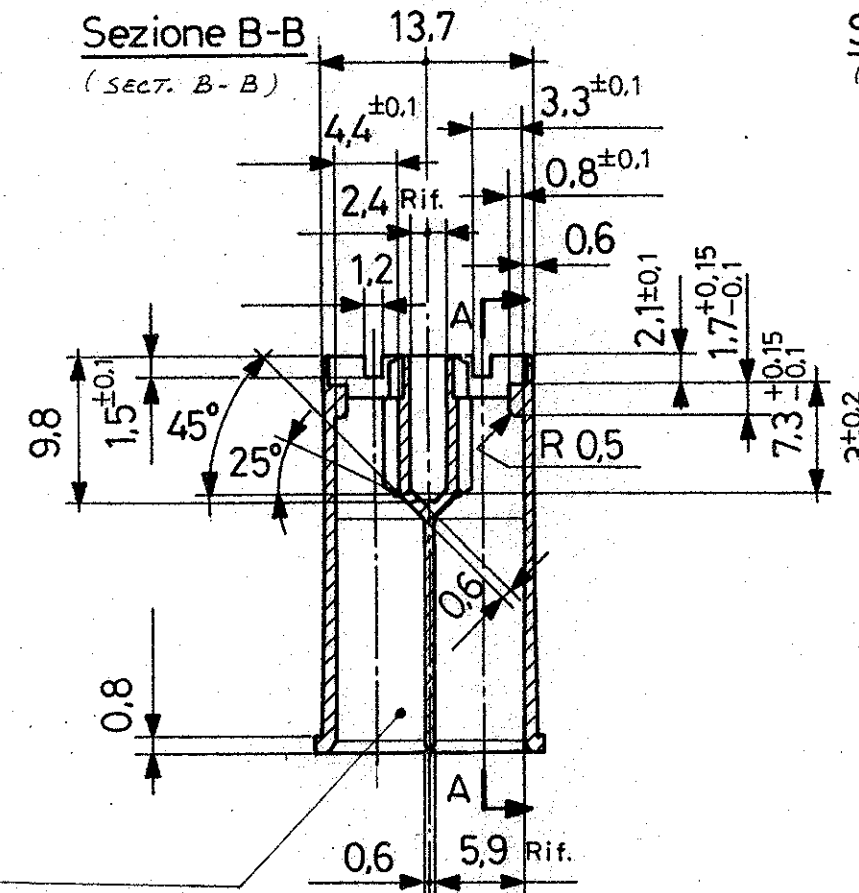


SCALA NON IMPEGNATIVA
(DO NOT SCALE)
DIMENSIONI IN mm
DIMENSIONS IN mm

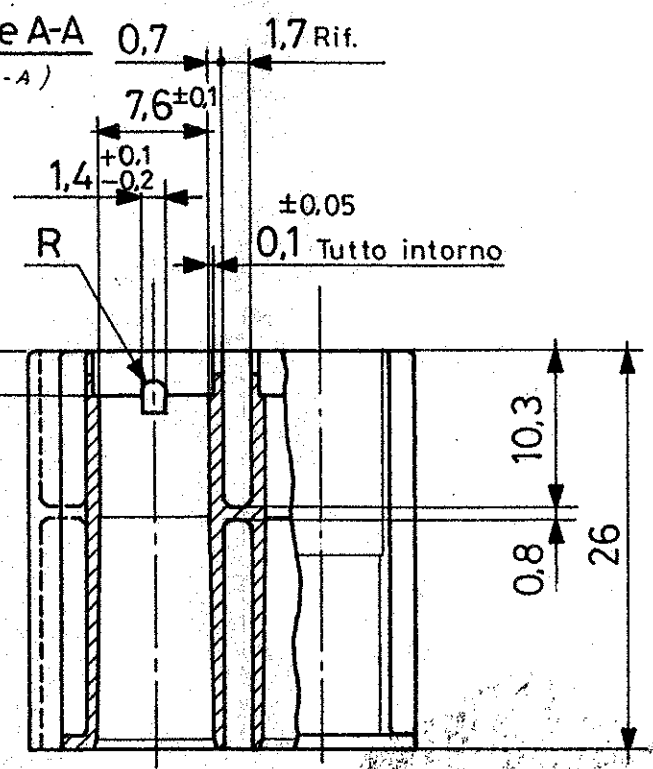
METRIC

PROIEZIONE EUROPEA
(EUROPEAN PROJECTION)

Sezione B-B
(SECT. B-B)

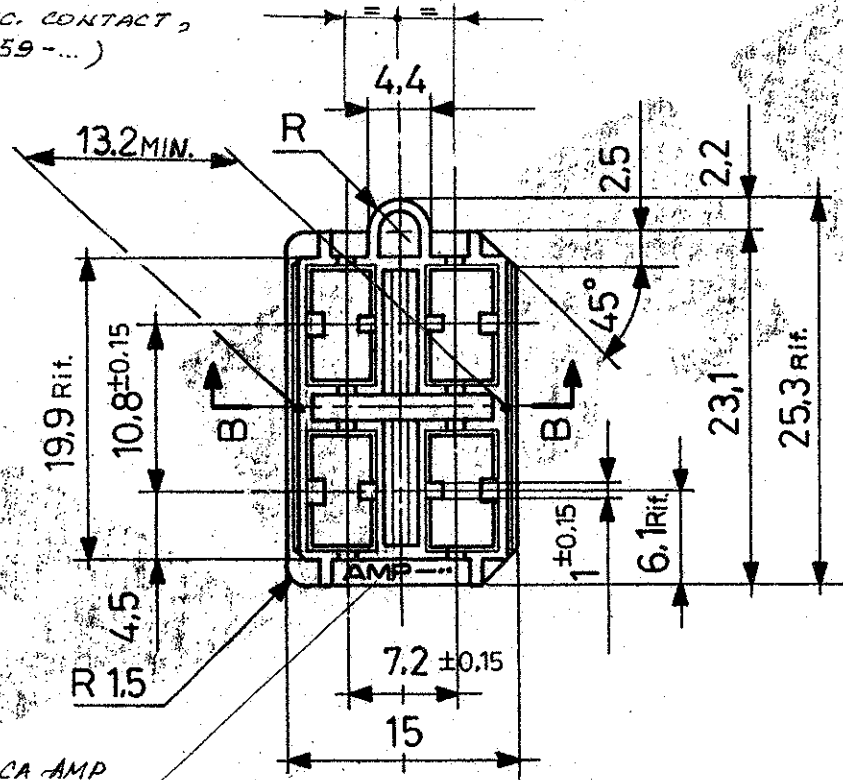


Sezione A-A
(SECT. A-A)



1 OBSOLETE PARTS: OBSOLETE CIS
STREAMLINING PER D.RENAUD/D.SINISI

QUATTRO CAVITÀ ADATTE PER
TERMINALI POSITIVE LOCK MK I,
ES. 160759-...
(FOUR CAVITIES SUITABLE FOR POSITIVE
LOCK MK I REC. CONTACT,
E.G. P/N 160759-...)



1 OBSOLETE
OBSOLETE

OBSOLETE	Verde (GREEN)	Poliammide 6.6 (PA 6.6 UNFILLED)	281889-4
OBSOLETE	Rosso (RED)		281889-3
	Nero (BLACK)		281889-2
	Naturale (CLEAR)		281889-1
	FINITURA / COLORE (FINISH / COLOUR)	MATERIALE (MATERIAL)	NUMERO (PART NUMBER)

CUSTOMER DWG. FOR REFERENCE ONLY **DISEGNO PER CLIENTE SOLO PER RIFERIMENTO**

THIS DRAWING IS UNPUBLISHED		RELEASE FOR PUBLICATION 1988	
© COPYRIGHT 1988 BY AMP INCORPORATED, HARRISBURG, PA ALL INTERNATIONAL RIGHT RESERVED AMP PRODUCTS MAY BE COVERED BY U.S. AND FOREIGN PATENT AND/OR PATENT PENDING			
TOLLERANZE: SE NON DIVERSAMENTE SPECIFICATO (TOLERANCES UNLESS OTHERWISE SPECIFIED)	DIAM. ISOLANTE (INS. DIA. RANGE)	RANGO FILO (WIRE RANGE)	SCALA (SCALE)
± 0.3	—	—	2:1

B1	REVISED PER ECO-09-026346	KK	27NOV 88
B	REVISED - OBSOLETE (ECO-0275-97)	4. AB. / C. T.	09 JUL 93
A	In Produzione	CB	29.6 88
REV. (REV. NO.)	REVISIONI (REVISION RECORD)	DIS. (DR.)	DATA (DATE)

ANGOLI (ANGLES) ± 2°		DIS. (DR.) Bassano 29-Feb. 88	
AMP ITALIA S.p.A. Corso F.lli Cervi, 15 COLLEGNO (TORINO)		DESCRIZIONE (DESCRIPTION) 4 Pos. Positive Lock MK-I- Rec. Hsg. (.250 Srs.)	
LOC. (LOC.) IA3	SIZE (SIZE) C	NUMERO (DWG NO.) C-281889	REV. (REV.) B1
FOLIO (SHEET) 1 DI 1 (OF 1)			