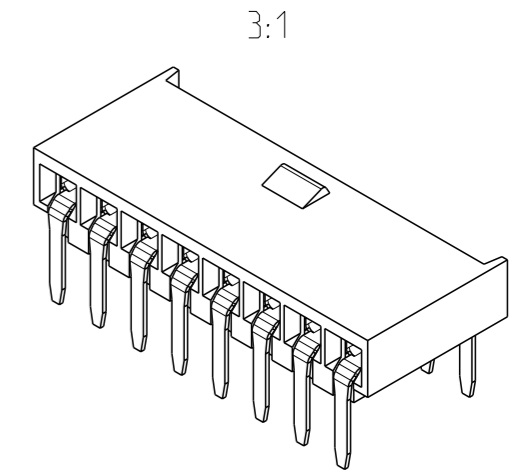
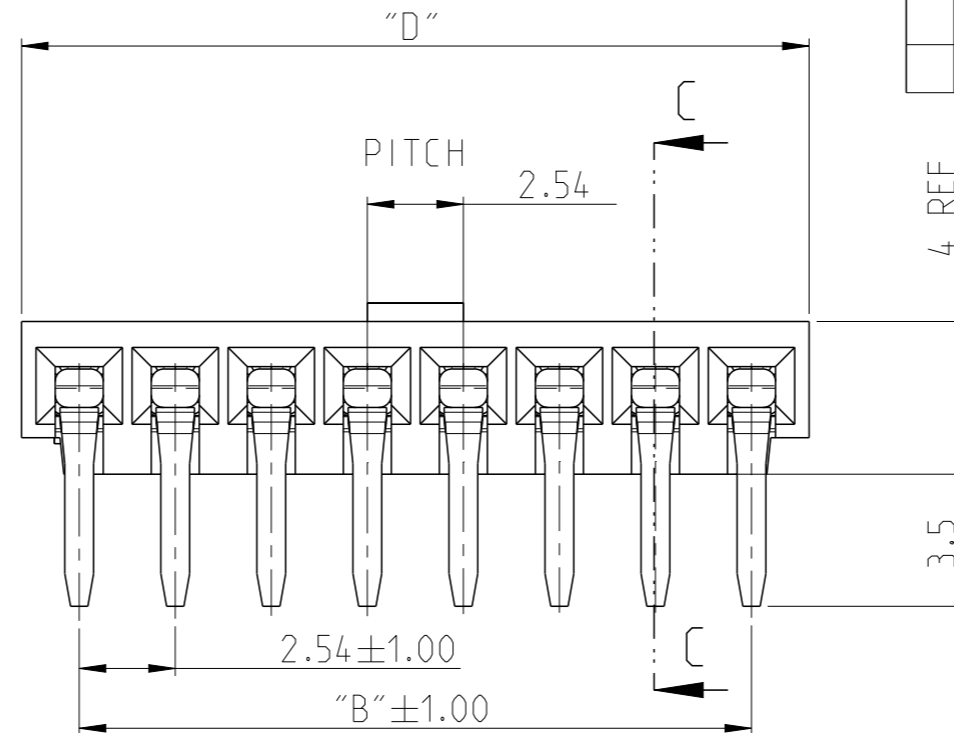
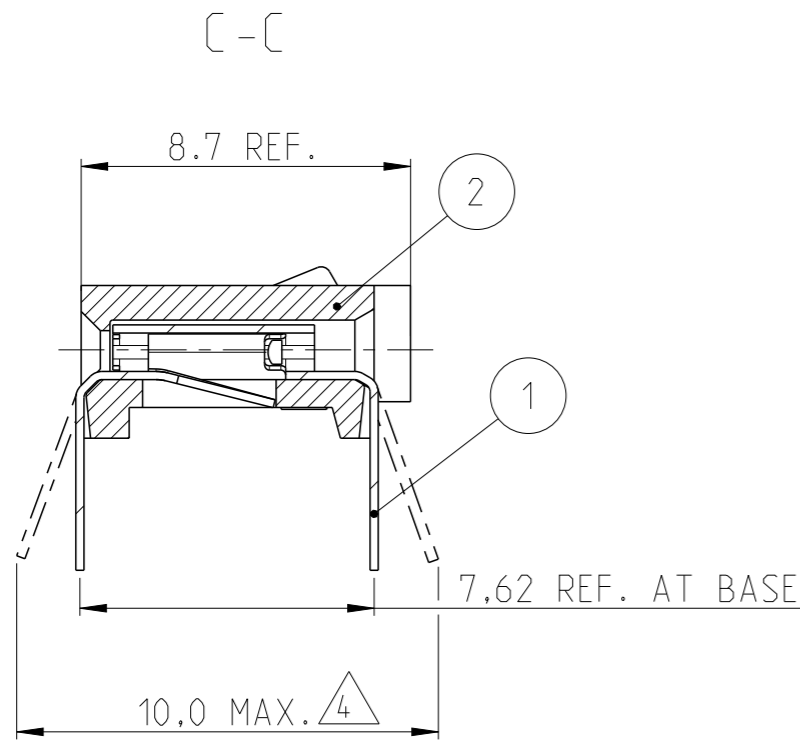


P	LTR	DESCRIPTION	DATE	DWN	APVD
	J1	PN 280580-2 REACTIVATED	17MAR2020	KJK	PS



NOTES:

- ① HOUSING: LCP, BLACK, UL94-V0
- ② CONTACTS: PHOSPHOR BRONZE, MIN. 0.38 μm GOLD ON CONTACT AREA AND GOLD FLASH ALL OVER, OVER NICKEL
- ③ CONTACTS: PHOSPHOR BRONZE, MIN. 0.76 μm TIN PLATED ALL OVER, EXCEPT FOR CUTTING EDGES.
- ④ THIS MAX. DIMENSION ASSURES PROPER POSITION OF CONNECTOR ON PCB DURING WAVE SOLDERING OPERATION
- ⑤ OBSOLETE

NO OF POS.	DIM "B"	DIM "D"	ITEM ② HOUSING (1 REQUIRED)	ASS'Y CONNECTOR WITH 0.38 μm GOLD PLATED CONTACT (STD PRESSURE)			ASS'Y CONNECTOR WITH TIN PLATED CONTACT (HIGH PRESSURE)		
				ASSEMBLY PART NUMBERS	ITEM ① CONTACT	CONTACT QUANTITY	ASSEMBLY PART NUMBERS	ITEM ① CONTACT	CONTACT QUANTITY
8	17.78	20.8	①	280578-2 ⑤	②	8	281334-4 ③	8	
9	20.32	23.4	↓	280579-2 ⑤	↓	9	281335-4	9	
12	27.94	31.0	↓	280580-2	↓	12	281336-1	12	
15	35.56	38.6	↓	280581-2	↓	15	281337-4	15	
22	53.34	56.4	↓	280582-2 ⑤	↓	22	281338-4	22	
4	7.62	10.7	↓	281218-2 ⑤	↓	4	281333-4	4	

THIS DRAWING IS A CONTROLLED DOCUMENT.		DWN RAVI.S 08AUG2019		NAME			
DIMENSIONS: mm		CHK KARTHIK J K 08AUG2019		AMPMODU II, SINGLE ROW, BOARD TO BOARD RECEPTACLE, HORIZONTAL MOUNT			
TOLERANCES UNLESS OTHERWISE SPECIFIED: ±0.3mm		APVD PRASHANTH S 08AUG2019		PRODUCT SPEC 108-20025			
0 PLC ± 1 PLC ± 2 PLC ± 3 PLC ± 4 PLC ± ANGLES ±2°		APPLICATION SPEC -		SIZE A3	CAGE CODE 00779	DRAWING NO C=281333	RESTRICTED TO -
MATERIAL -		WEIGHT -	CUSTOMER DRAWING		SCALE 5:1	SHEET 1 OF 1	REV J1