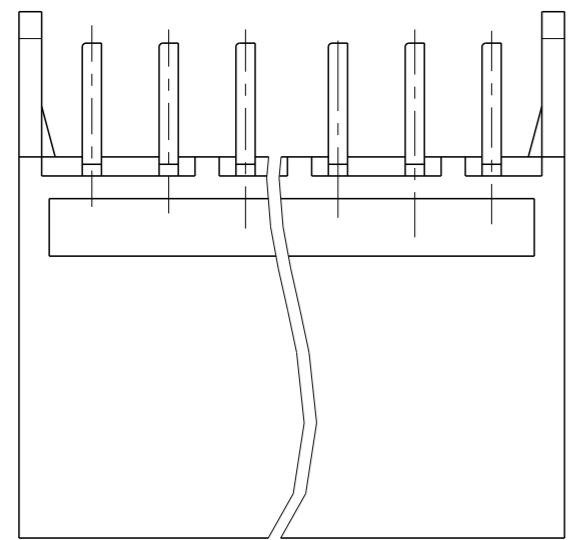
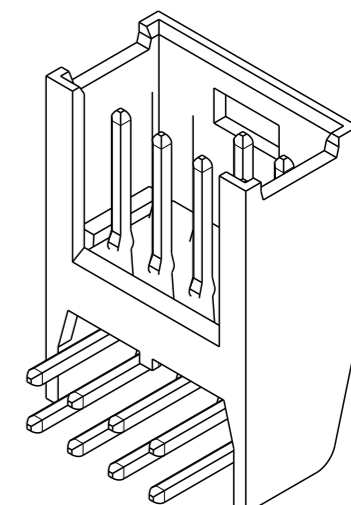
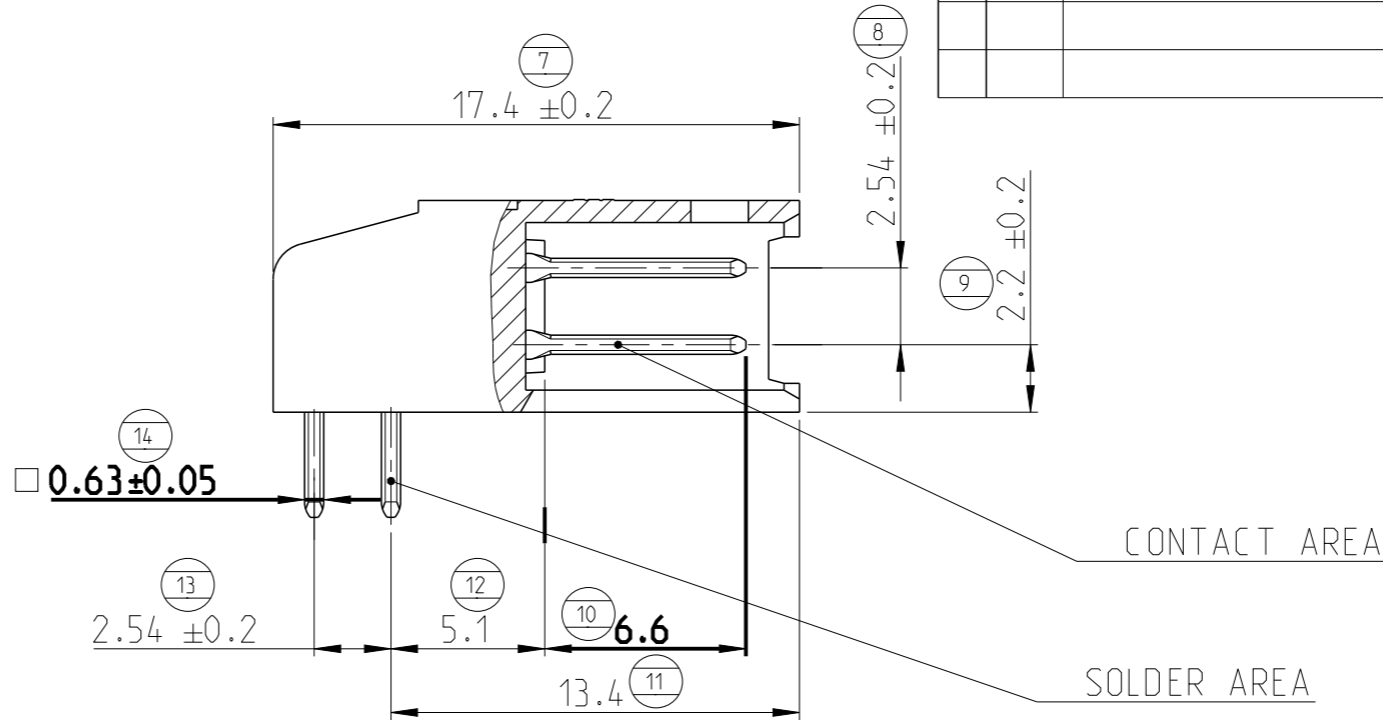
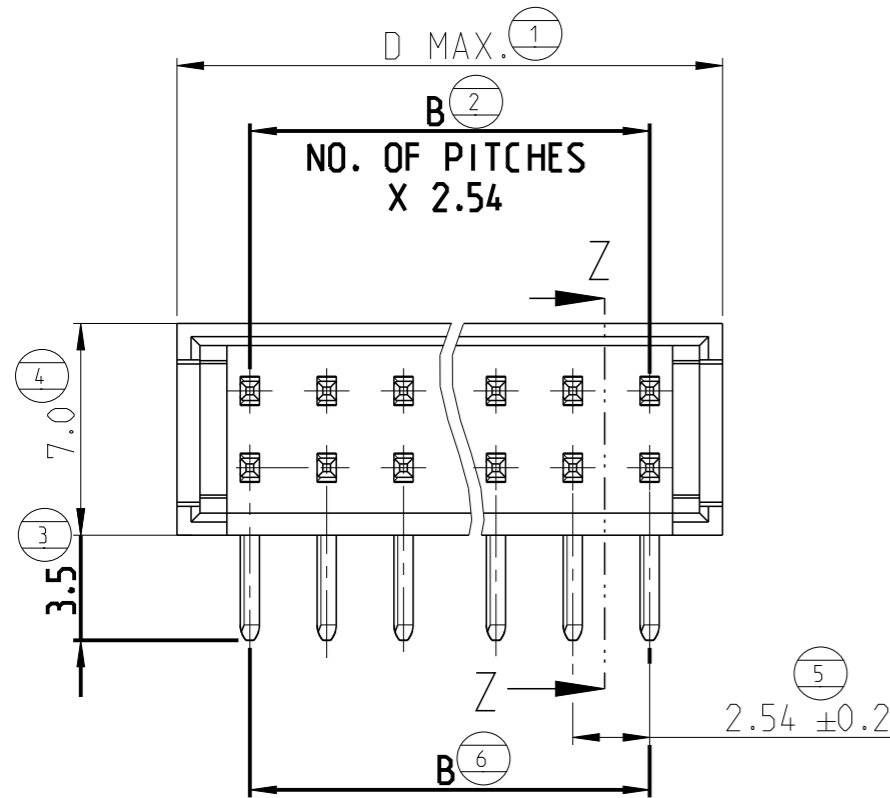


P	LTR	DESCRIPTION	DATE	DWN	APVD
AD		REDRAWN, PLASTIC SUPPLIER CHANGED	11MAY2021	SB	KJK
AE		PLATING CHANGED FROM BRIGHT TO MATTE TIN	06DEC2023	SP	KJK



- NOTES:
- △ FINISH: 3-5 μm TIN OVER MIN 1.27 μm NICKEL
  - △ FINISH: DUPLEX PLATED MIN. 0.38 μm GOLD IN CONTACT AREA AND 2.5 μm TIN IN SOLDER AREA, OVER MIN 1.27 μm NICKEL.
  - △ FINISH: DUPLEX PLATED MIN 0.76 μm GOLD IN CONTACT AREA AND 2.5 μm TIN IN SOLDER AREA, OVER MIN 1.27 μm NICKEL.

- MATERIALS:
- HOUSINGS: FLAME RETARDANT THERMOPLASTIC UL94V0, COLOR BLACK.
  - TIN AND GOLD PLATED CONTACTS: BRASS

△ OBSOLETE

15.2	10.16	<del>280393-3</del>	284124-1	<del>280393-1</del>	5
58.5	53.34	280393-3	280393-2	280393-1	22
48.3	43.18	281021-3	281021-2	281021-1	18
40.7	35.56	280392-3	280392-2	280392-1	15
33.1	27.94	280522-3	280522-2	280522-1	12
25.4	20.32	280510-3	280510-2	280510-1	9
22.9	17.78	280390-3	280390-2	280390-1	8
17.8	12.70	<del>282790-1</del>	<del>282790-1</del>	<del>282790-1</del>	6
12.7	7.62	280389-3	280389-2	280389-1	4
D	B	PART NUMBER	PART NUMBER	PART NUMBER	NO. POS.

THIS DRAWING IS A CONTROLLED DOCUMENT.

DWN: G. CAMPIA 12FEB1990  
 CHK: R. CANTORE 12FEB1990  
 APVD: -

PRODUCT SPEC: 108-20025  
 APPLICATION SPEC: -

WEIGHT: -

CUSTOMER DRAWING

SCALE: 5:1

SHEET: 1 OF 1

REV: AE

TE Connectivity

AMPMODU II SHROUDED HEADER  
 DUAL ROW, RIGHT ANGLE POST

SIZE: A3 CAGE CODE: 00779 DRAWING NO: C-280389 RESTRICTED TO: -