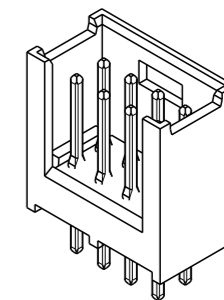
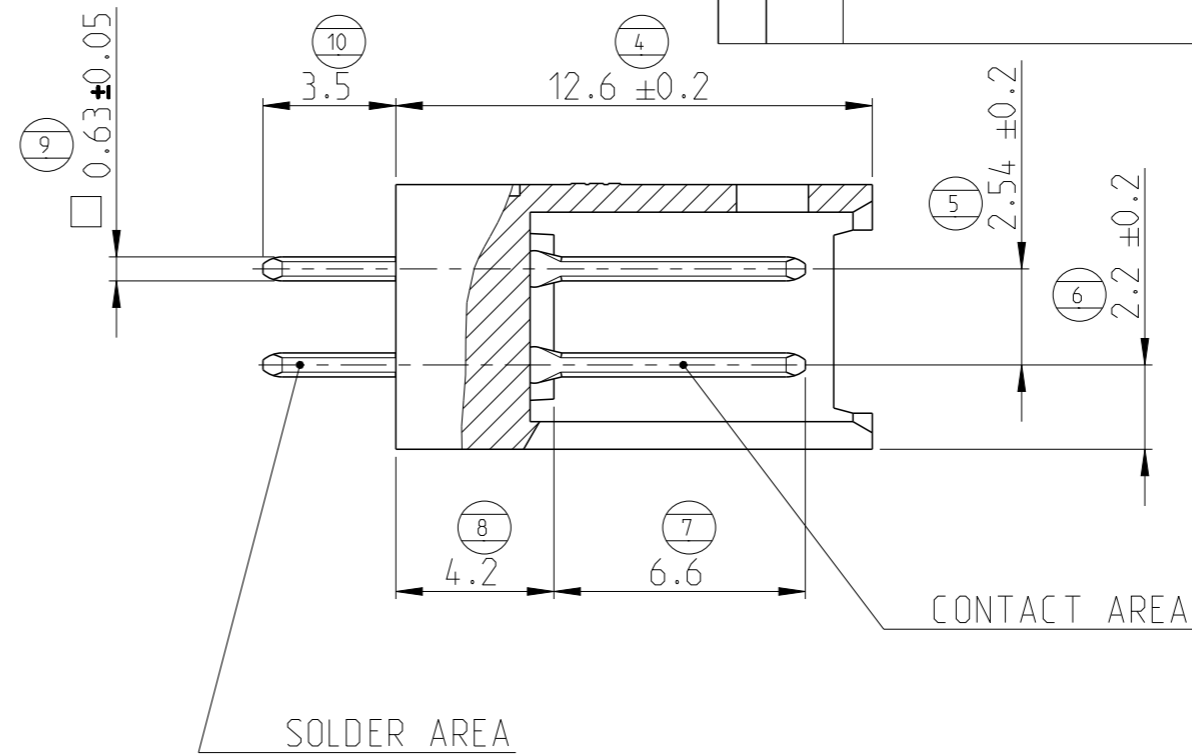
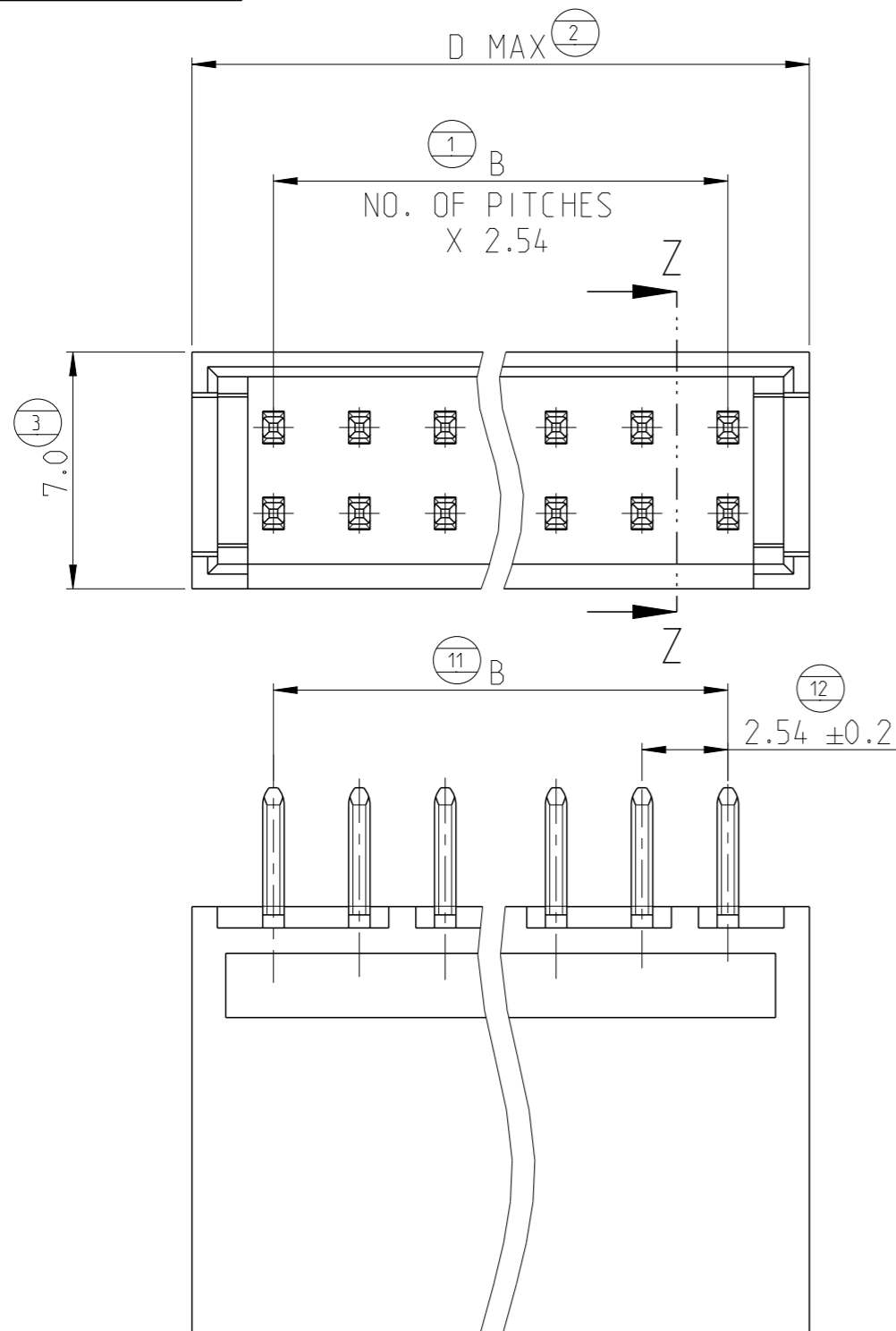


| P | LTR | DESCRIPTION                              | DATE      | DWN | APVD |
|---|-----|--|-----------|-----|------|
|   | U   | REDRAWN, RESIN SUPPLIER CHANGED          | 04JUN2021 | SB  | KJK  |
|   | V   | PLATING CHANGED FROM BRIGHT TO MATTE TIN | 06DEC2023 | SP  | KJK  |



2:1

PARTIAL SEC. Z-Z

|      |       |                     |             |                     |          |
|------|-------|---------------------|-------------|---------------------|----------|
| 58.5 | 53.34 | <del>280388-3</del> | 280388-2    | 280388-1            | 22       |
| 48.3 | 43.18 | <del>281019-3</del> | 281019-2    | <del>281019-1</del> | 18       |
| 40.7 | 35.56 | <del>280387-3</del> | 280387-2    | 280387-1            | 15       |
| 33.1 | 27.94 | <del>280521-3</del> | 280521-2    | 280521-1            | 12       |
| 25.4 | 20.32 | <del>280509-3</del> | 280509-2    | 280509-1            | 9        |
| 22.9 | 17.78 | <del>280385-3</del> | 280385-2    | 280385-1            | 8        |
| 12.7 | 7.62  | <del>280384-3</del> | 280384-2    | 280384-1            | 4        |
| D    | B     | PART NUMBER         | PART NUMBER | PART NUMBER         | NO. POS. |

NOTES:

- 1 FINISH: 3-5 μm TIN OVER MIN 1.27 μm NICKEL
- 2 FINISH: DUPLEX PLATED MIN. 0.38 μm GOLD IN CONTACT AREA AND 2.5 μm TIN IN SOLDER AREA, OVER MIN. 1.27 μm NICKEL.
- 3 FINISH: DUPLEX PLATED MIN. 0.76 μm GOLD IN CONTACT AREA AND 2.5 μm TIN IN SOLDER AREA, OVER MIN. 1.27 μm NICKEL.
- 4 MATERIALS:  
-HOUSINGS: FLAME RETARDANT THERMOPLASTIC, UL94V0, COLOR BLACK.  
-TIN AND GOLD PLATED CONTACTS: BRASS
- 5 PN OBSOLETE

|   |  |                            |                           |                    |                        |
|---|--|----------------------------|---------------------------|--------------------|------------------------|
| THIS DRAWING IS A CONTROLLED DOCUMENT.                            |  | DWN<br>G. CAMPIA 12FEB1990 | TE Connectivity           |                    |                        |
| DIMENSIONS:<br>mm   |  | CHK<br>-                   |                           |                    |                        |
| TOLERANCES UNLESS OTHERWISE SPECIFIED:<br>±0.3                    |  | APVD<br>-                  | PRODUCT SPEC<br>108-20025 |                    |                        |
| 0 PLC ±<br>1 PLC ±<br>2 PLC ±<br>3 PLC ±<br>4 PLC ±<br>ANGLES ±2° |  | APPLICATION SPEC<br>-      | SIZE<br>A3                | CAGE CODE<br>00779 | DRAWING NO<br>C-280384 |
| MATERIAL  |  | WEIGHT<br>-                | RESTRICTED TO<br>-        |                    |                        |
| CUSTOMER DRAWING  |  |                            | SCALE<br>5:1              | SHEET<br>1 OF 1    | REV<br>V               |