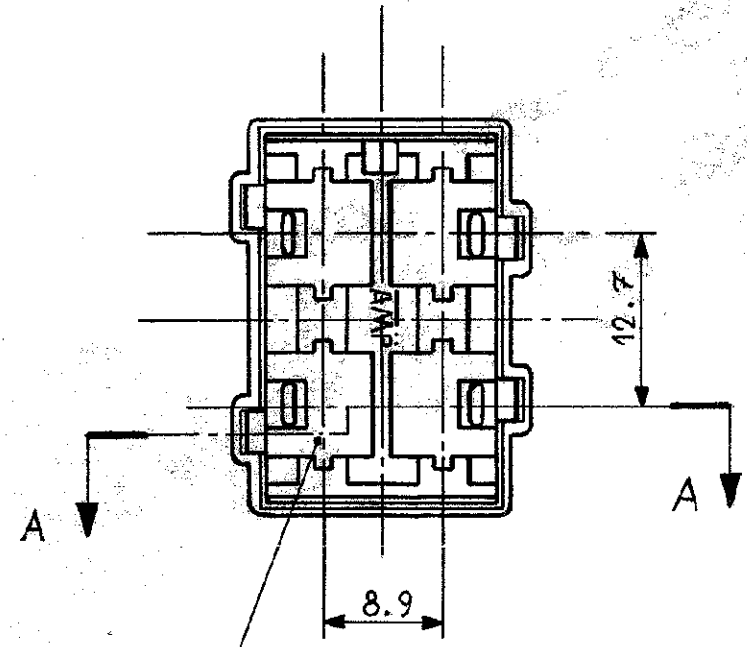
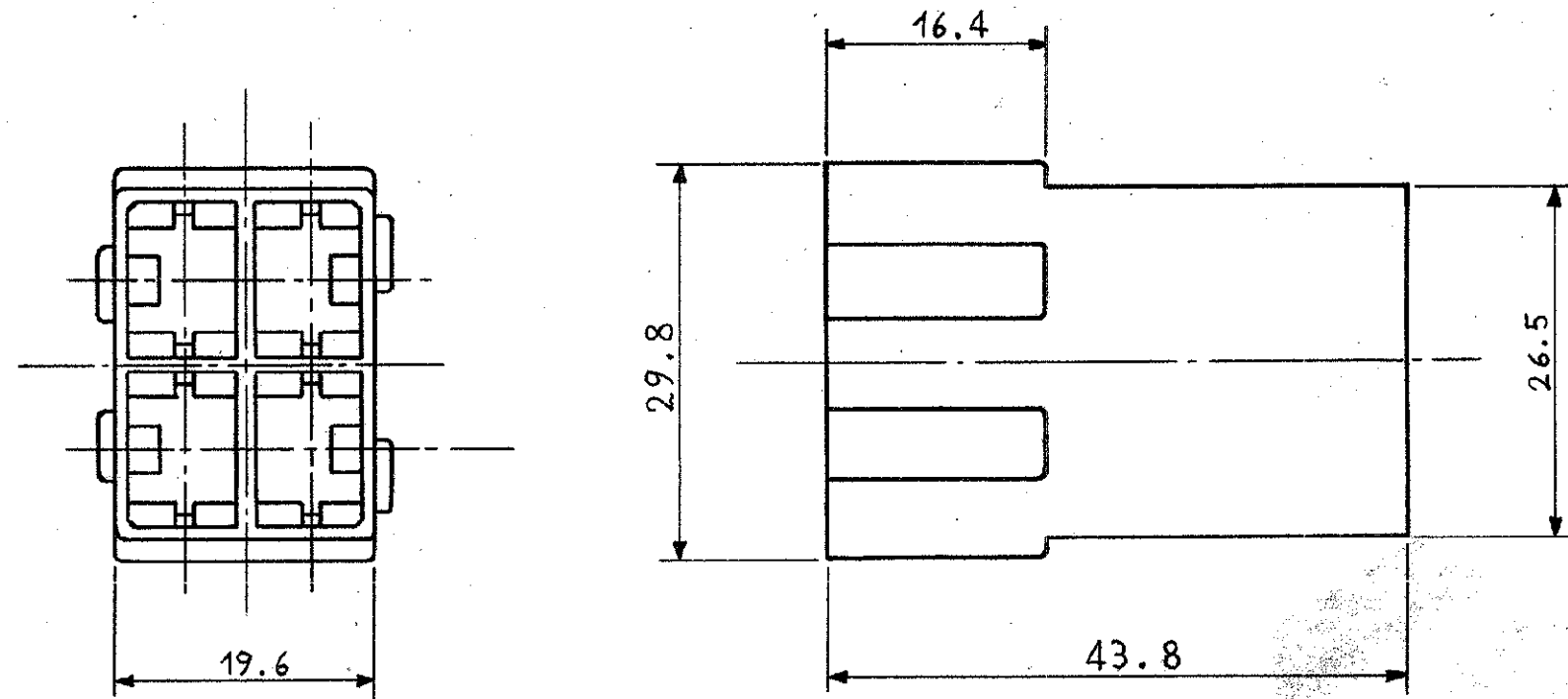
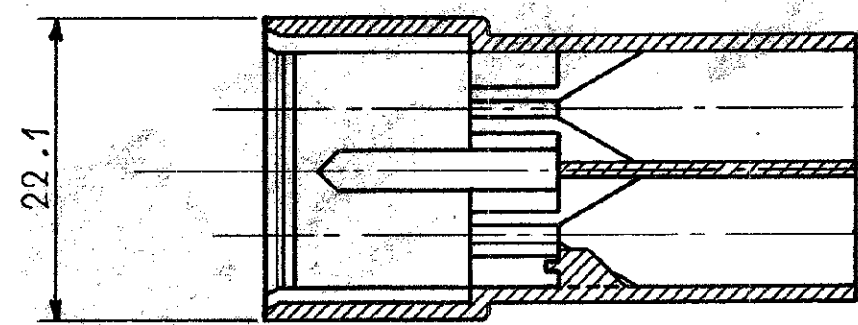


SCALA NON IMPEGNATIVA
(DO NOT SCALE)
DIMENSIONI IN mm
DIMENSIONS IN mm



4 TIPICHE LAVITA' PER
CONTATTI AMP FASTIN-FASTON
SERIE .375"

(TYPICAL CAVITIES SUITABLE
FOR FASTIN-FASTON TAB
TERM. .375" Sr.)



SEZ. A-A

OBSOLETE	—	—	—280072-1
----------	---	---	-----------

NATUR (CLEAR)	POLIAMMIDE 6.6 NAT. (PA 6.6 UNFILLED)	280072-0
FINITURA / COLORE (FINISH / COLOUR)	MATERIALE (MATERIAL)	NUMERO (PART NUMBER)

CUSTOMER DWG. FOR REFERENCE ONLY
DISEGNO PER CLIENTE SOLO PER RIFERIMENTO

THIS DRAWING IS UNPUBLISHED RELEASE FOR PUBLICATION 19

TOLLERANZE: SE NON DIVERSAMENTE SPECIFICATO (TOLERANCES UNLESS OTHERWISE SPECIFIED)	DIAM. ISOLANTE (INS. DIA. RANGE)	RANGO FILO (WIRE RANGE)	SCALA (SCALE)
±0,4	—	—	—

ANGOLI
(ANGLES) ±2°

DIS. C. TARTARI
(DR.) 27-4-71

DESCRIZIONE
(DESCRIPTION) 4 WAY FASTIN-ON TAB
.375 SERIES - HOUSING -



F2	REVISED PER ECR-17-013054	BDA	11JAN2018	CONT. F. TREVISIOL (CHK) 7-5-71	LOC. IA3	SIZE C-	NUMERO (DWG NO) 280072	REV. F2	FOGLIO (SHEET) 1 OF 1
F1	REVISED PER ECO-11-005294	RK	13APR 11	APP. (APP.)					
REV. (REV. NR)	REVISIONI (REVISION RECORD)	DIS. (DR)	DATA (DATE)						

DISTRIBUZIONE
(PRINT DIST.)