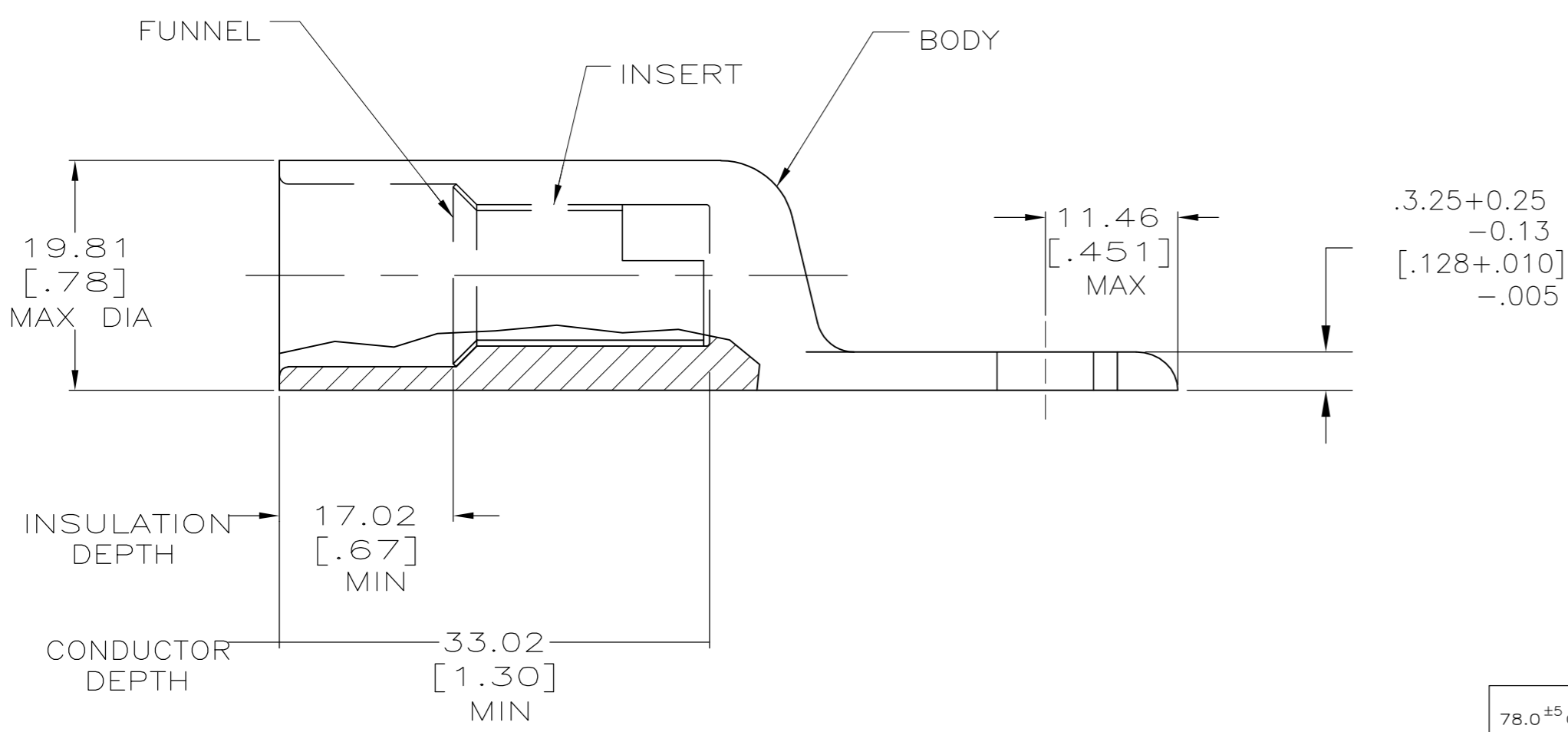
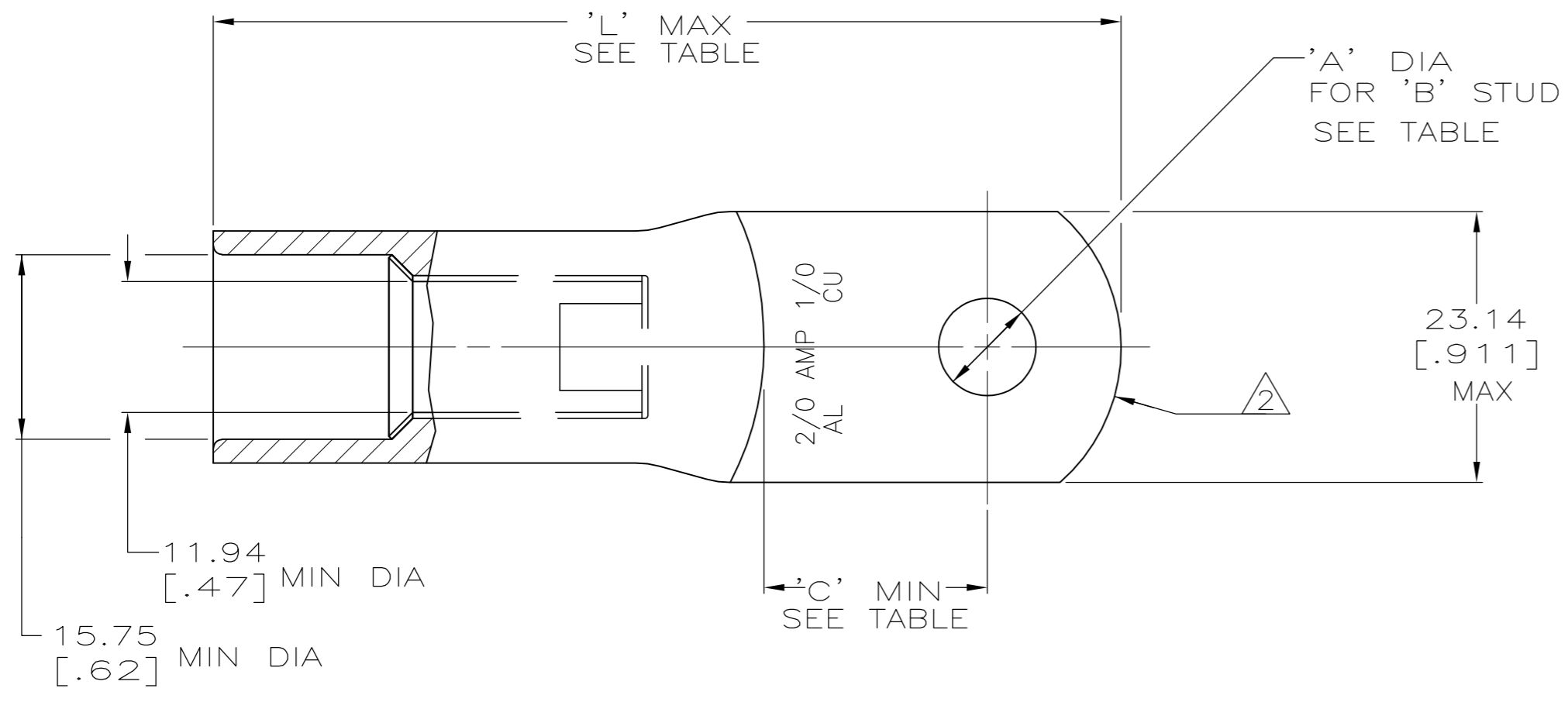


THIS DRAWING IS UNPUBLISHED. RELEASED FOR PUBLICATION
 © COPYRIGHT - By - ALL RIGHTS RESERVED.

LOC		DIST		REVISIONS			
P	LTR	DESCRIPTION		DATE	DWN	APVD	
	L	REV PER ECO 15-002995		11MAR15	KG	PD	

- 1 WIRE INSULATION: 12.70[.500] - 13.97[.550] DIA
- 2 THE TONGUE RADIUS FEATURE IS NOT A TOOLING CONTROLLED DIMENSION AND MAY NOT BE A TRUE RADIUS.



78.0 ^{±5} GRAMS	13.08 ^{±0.13} [.515 ^{±0.005}]	1/2	77.47 [3.05]	18.03 [.71]	BODY: COPPER ASTM-B187 ANNEALED TIN PL PER MIL-T-10727 0.00381[.000150] MIN THK	277152-5	
81 ^{±5} GRAMS	9.91 ^{±0.13} [.390 ^{±0.005}]	3/8				277152-4	
80 ^{±5} GRAMS	8.33 ^{±0.13} [.328 ^{±0.005}]	5/16	71.37 [2.81]	11.94 [.47]	INSERT & FUNNEL: BRASS ASTM B36 NICKEL PL SAE AMS QQ-N-290A, DATED JULY 2000, 0.00254 [.000100] MIN THK	277152-3	
76.3 ^{±5} GRAMS	9.91 ^{±0.13} [.390 ^{±0.005}]	3/8				277152-2	
-	6.73 ^{±0.13} [.265 ^{±0.005}]	1/4				277152-1	
WEIGHT		'A'	'B'	'L'	'C'	MATERIAL & FINISH	PART NO.

THIS DRAWING IS A CONTROLLED DOCUMENT.

DWN	DK SCHRUM	6/23/89
CHK	MS FEHER	10/16/90
APVD	AJ KAUFMAN	10/20/90

TE Connectivity

WIRE TERMINAL, RING TONGUE, SEALED COPALUM
71.3mm² [2/0] ALUMINUM
53.9mm² [1/0] COPPER

SIZE	CAGE CODE	DRAWING NO	RESTRICTED TO
A2	00779	C=277152	-

SCALE 2:1 SHEET 1 of 1 REV L