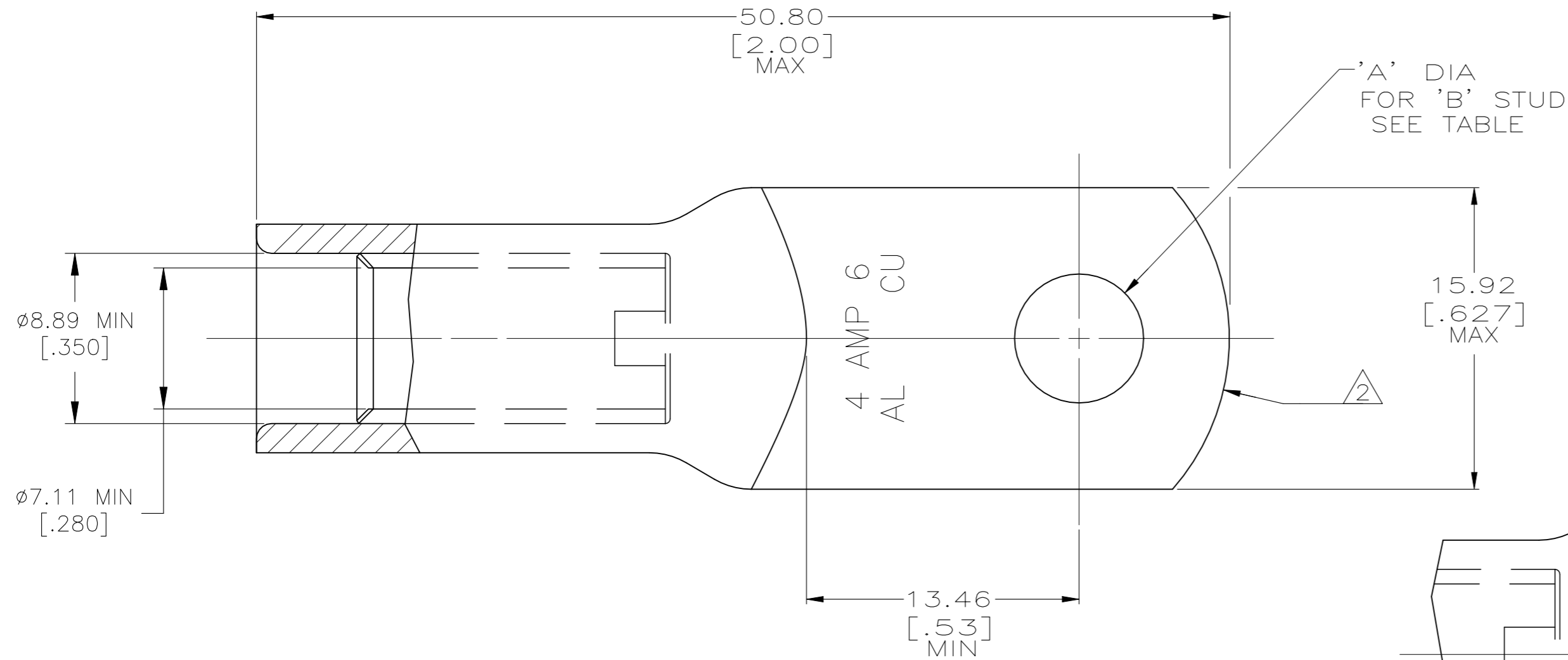
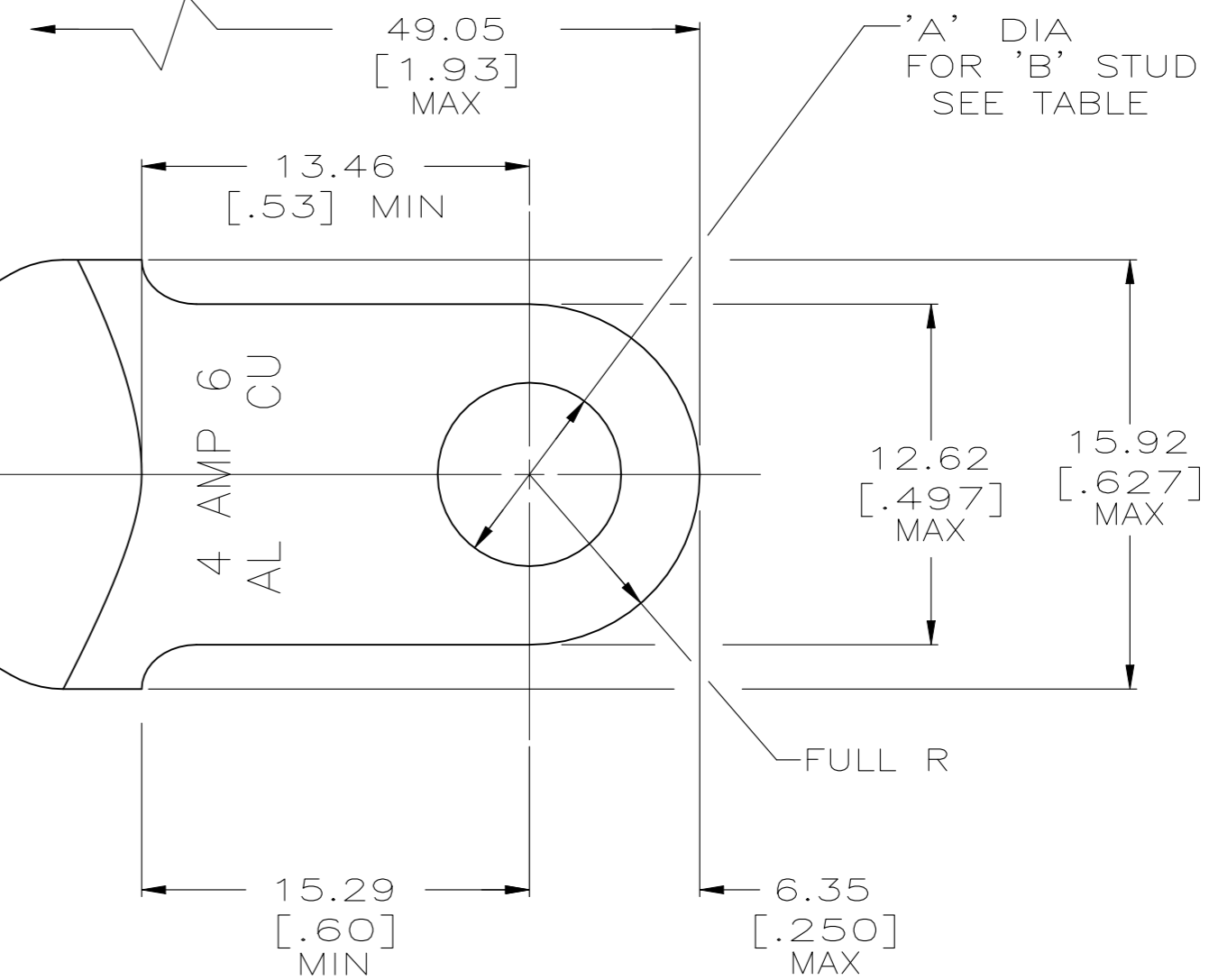
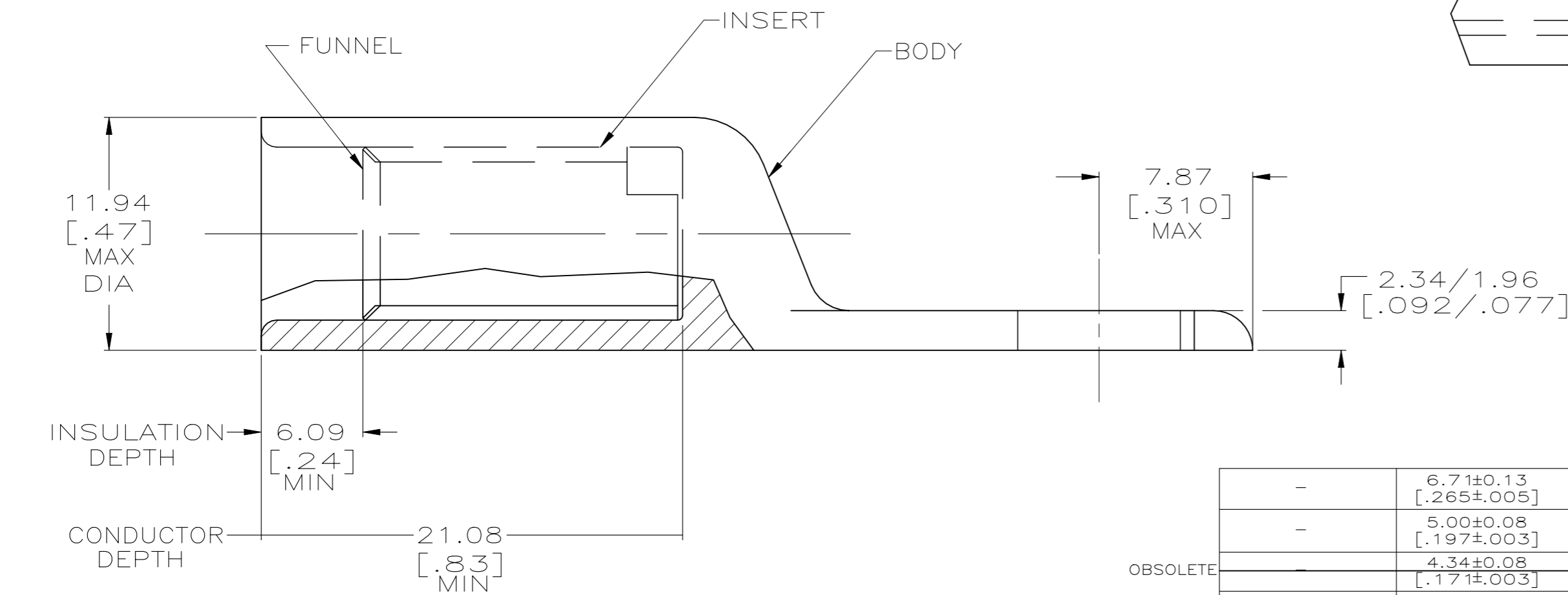


REVISIONS					
P	LTR	DESCRIPTION	DATE	DWN	APVD
M		REV PER eco-21-006731	31DEC2021	JAB	PD



- 1 WIRE INSULATION: 7.01[.276] – 7.75[.305] DIA
- 2 THE TONGUE RADIUS FEATURE IS NOT A TOOLING CONTROLLED DIMENSION AND MAY NOT BE A TRUE RADIUS.
- 3 TERMINAL ALSO ACCEPTS #3 AWG (27MM2) ALUMINUM WIRE PER EUROPEAN REQUIREMENT EN3373 AND TEST REPORT 425E/90.



FOR 277149-6, -7, & -8 ONLY

WEIGHT	'A'	'B'	MATERIAL & FINISH	PART NO.
-	6.71±0.13 [.265±.005]	1/4	BODY: COPPER ASTM-B187 ANNEALED TIN PL MIL-T-10727 0.00381[.000150] MIN THK	277149-8
-	5.00±0.08 [.197±.003]	#10		277149-7
OBSELETE	4.34±0.08 [.171±.003]	#8		277149-6
-	4.34±0.08 [.171±.003]	#8		277149-5
18.5 GRAMS	9.91±0.13 [.390±.005]	3/8	INSERT & FUNNEL: BRASS ASTM B36 NICKEL PL SAE AMS QQ-N-290A, DATED JULY 2000, 0.00254 [.000100] MIN THK	277149-4
18.9 GRAMS	8.33±0.13 [.328±.005]	5/16		277149-3
19.4 GRAMS	6.71±0.13 [.265±.005]	1/4		277149-2
OBSELETE 19.8 GRAMS	5.00±0.08 [.197±.003]	#10		277149-1

JURISDICTION	EAR
CLASSIFICATION	9E991.y
DATE OF MARKING	31DEC2021
WARNING – THIS DOCUMENT CONTAINS TECHNOLOGY WHOSE EXPORT IS RESTRICTED BY THE EXPORT ADMINISTRATION REGULATIONS ("EAR") PURSUANT TO 15 C.F.R. PARTS 730-774. VIOLATIONS OF THE EAR ARE SUBJECT TO SEVERE CRIMINAL PENALTIES UNDER THE EXPORT CONTROL REFORM ACT, AS AMENDED (TITLE 50, U.S.C., SEC. 4801, ET SEQ.).	

THIS DRAWING IS A CONTROLLED DOCUMENT.

DWN	DK_SCHRUM	6/23/89
CHK	MS_FEHER	10/16/90
APVD	WJ_VOCKROTH	10/16/90
PRODUCT SPEC	108-11011	
APPLICATION SPEC	114-2134	
WEIGHT	0.000000	
CUSTOMER DRAWING		

SCALE 4:1 SHEET 1 OF 1 REV M

TE Connectivity

WIRE TERMINAL, COPALUM
SEALED, RING TONGUE,
WIRE SIZE [4] AL OR [6] COPPER

RESTRICTED TO