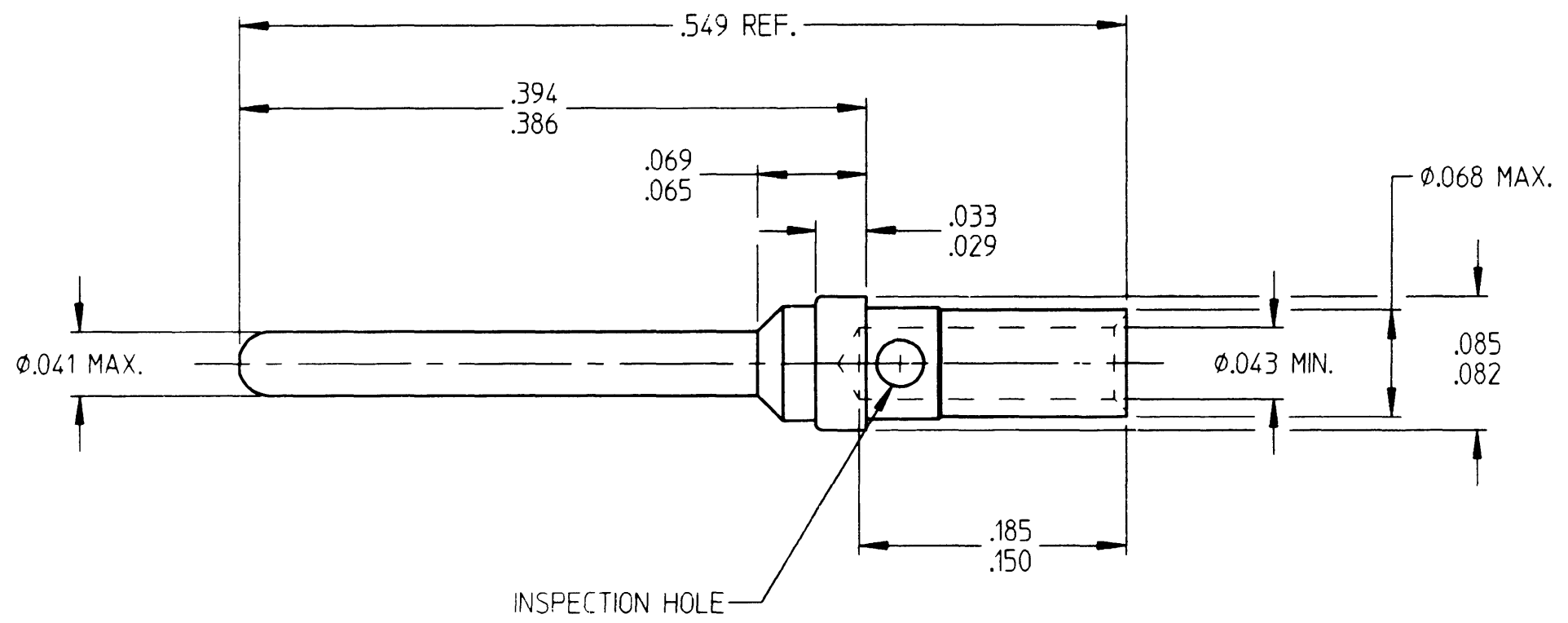


A	2560-202-2090	REVISIONS			
		REV	DESCRIPTION	DATE	APPROVED
		A	REVISED PER E.O. C1363	9-3-93	<i>B</i>



- NOTE:
- DIMENSIONS ARE IN INCHES UNLESS OTHERWISE SPECIFIED.
 - MATERIAL COPPER ALLOY.
 - FINISH DEUTSCHCOAT V.
 - CRIMP TOOL DANIELS AFM8.
POSITIONER DANIELS K13-1.
RECOMMENDED STRIP LENGTH 5/32 TO 3/16.

SIGNATURE & DATE	
DR	R. GROSS 7-27-93
CHK	Jo POWELL 8-2-93
PE	<i>R. Gross</i> 7-27-93
APPD	
SCALE	WT

CONTACT, PIN
 CRIMP TYPE
 REAR RELEASE
 SIZE 20
 ENVELOPE

CP	MATL CODE
DEUTSCH ENGINEERED CONNECTING DEVICES Municipal Airport Banning, California	
B	2560-202-2090
DWG SIZE	CODE 11139 SHEET 1 OF 1

2560-202-2090_env_A