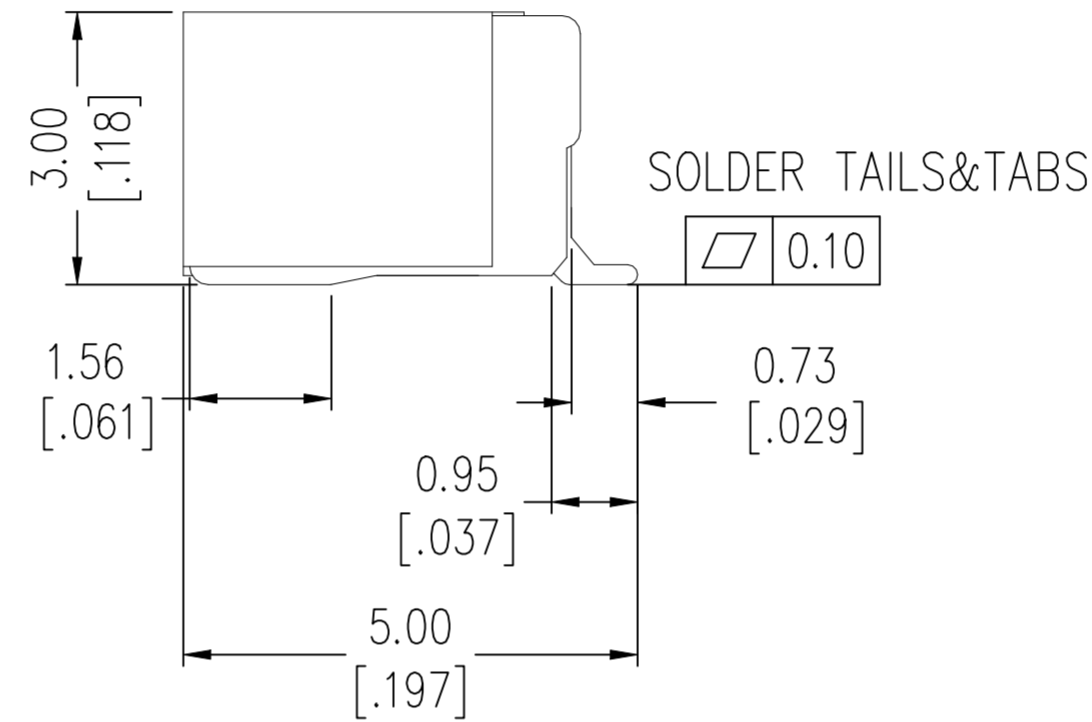
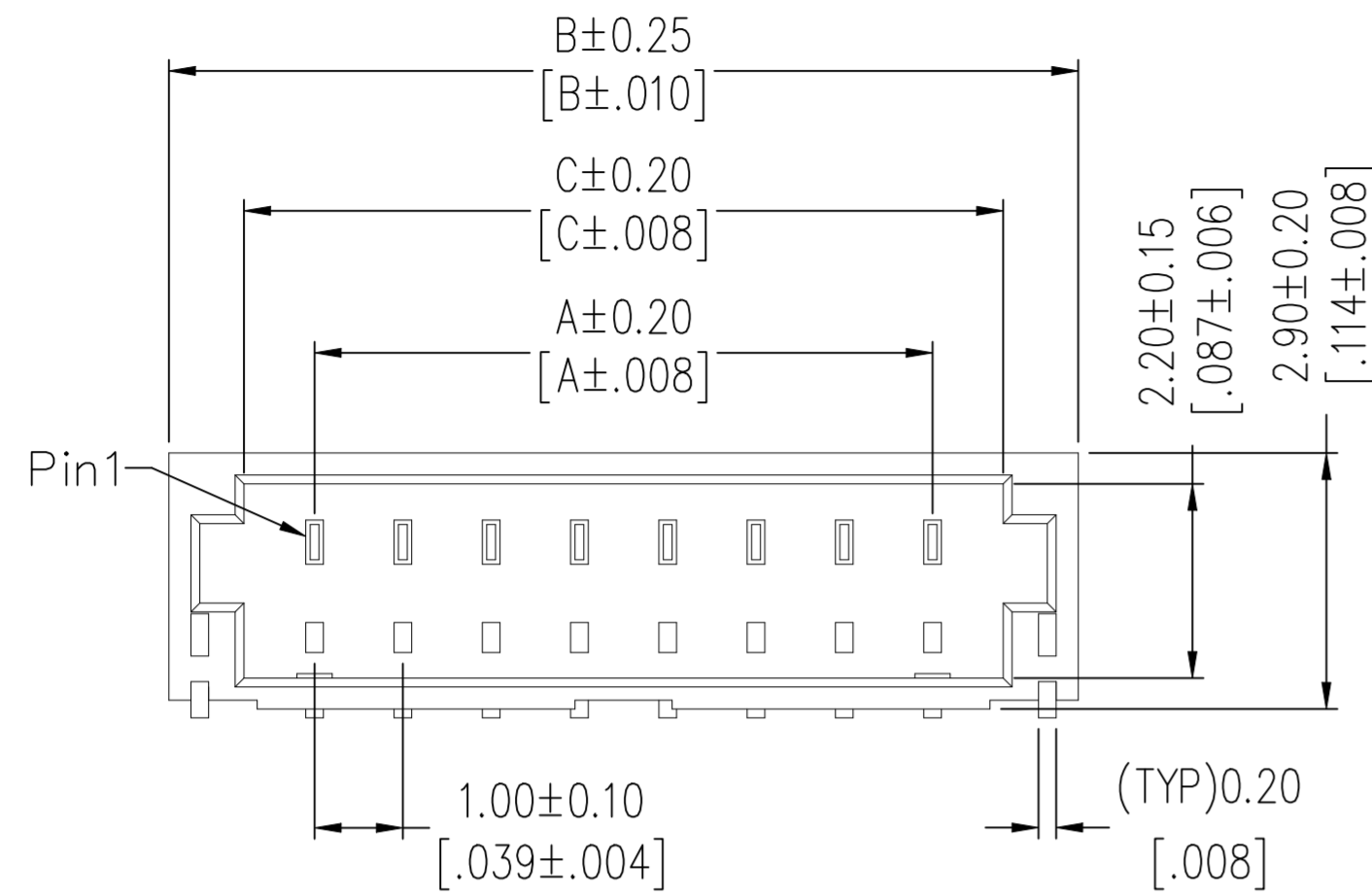


P	LTR	DESCRIPTION	DATE	DWN	APVD
A		INITIAL RELEASE	18DEC23	G.C	H.L

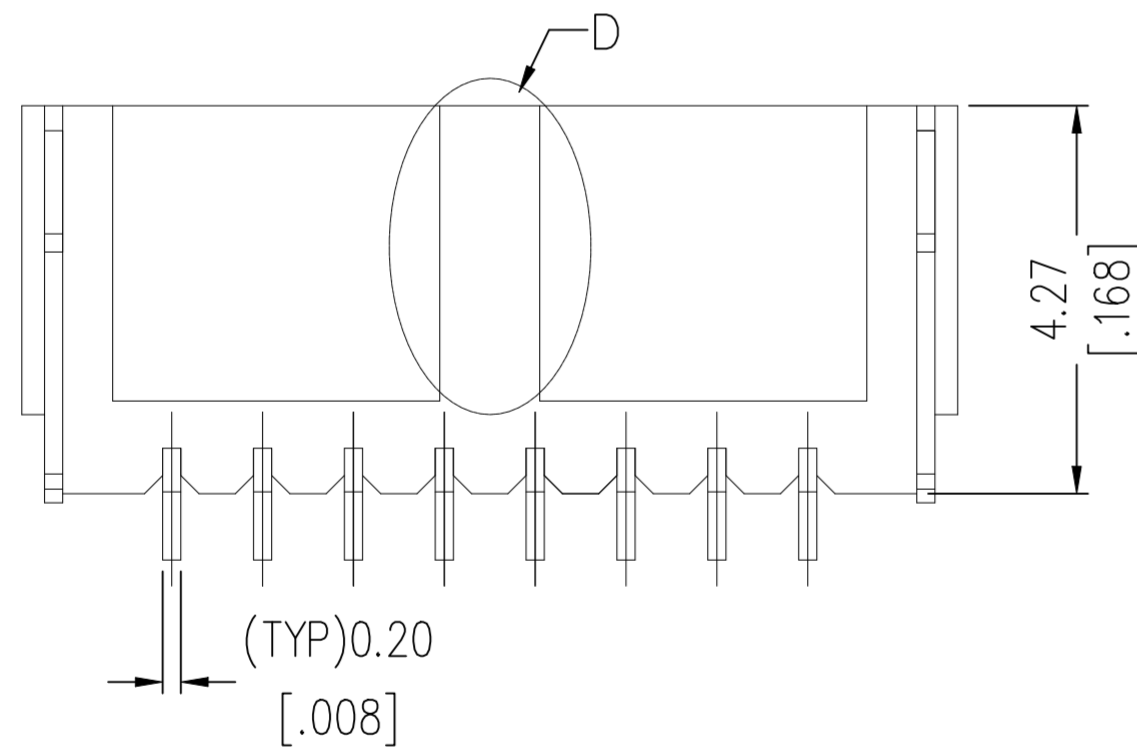


NOTES:

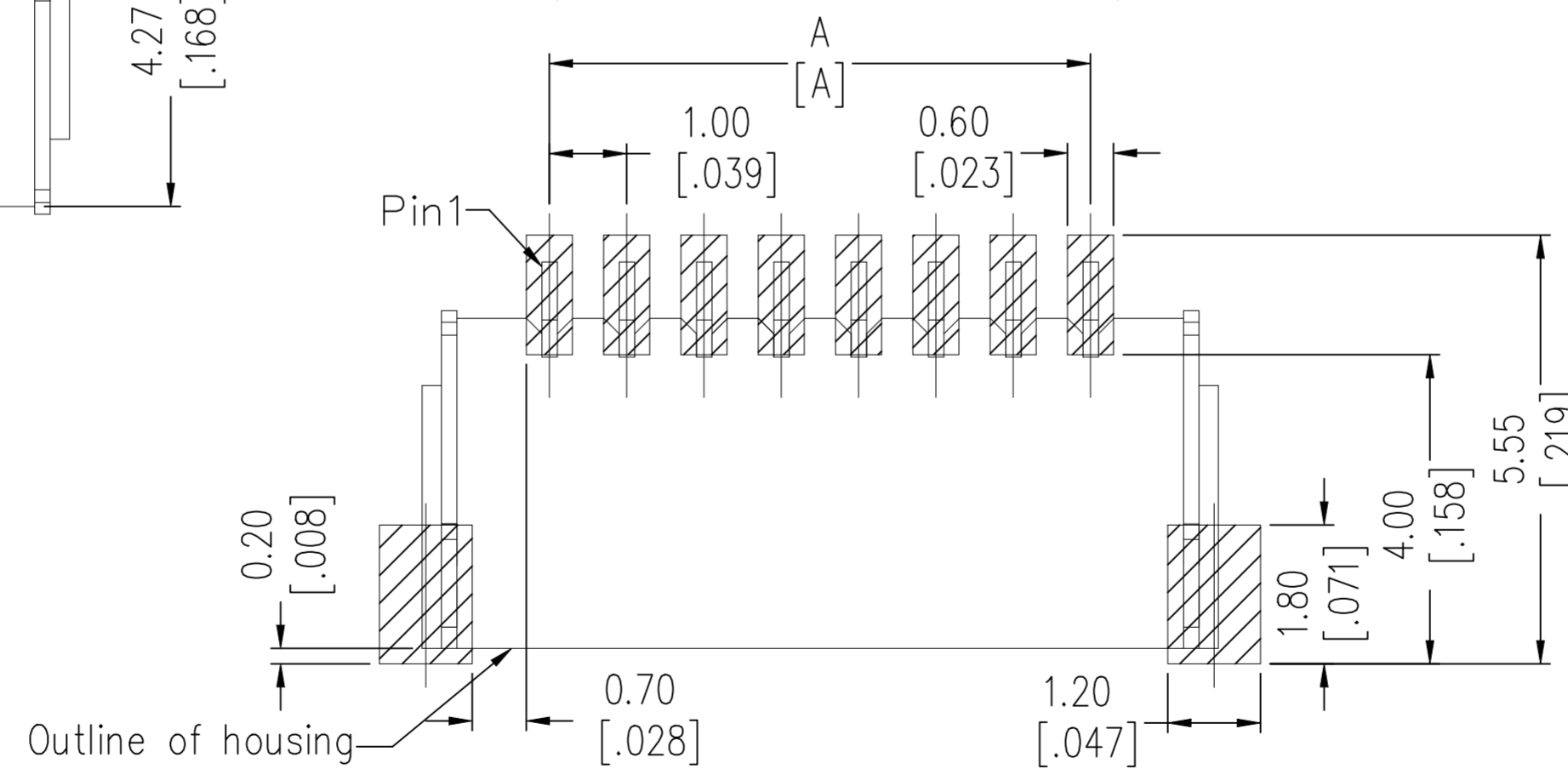
Rated Current: 1.0A AC/DC(28#AWG)
 Rated Voltage: 50V AC/DC
 Contact Resistance: 20mΩ Max.
 Withstand Voltage: 500V AC/Minute
 Insulation Resistance: 100MΩ Min.
 Operation Temperature: -25°C to +85°C

Housing Material: Thermoplastic (UL94V-0)
 CAP Material: Thermoplastic (UL94V-0)
 Contact Material: Brass,
 80u"MIN. Matte tin over 30u"MIN. Nickel
 Solder Tabs: Brass,
 80u"MIN. Matte tin over 30u"MIN. Nickel
 02-05P Without Slot "D"

Recommended process:
 IR soldering, Peak temperature: 260±5°C, 5s



Recommended P.C.B Layout (Top Side)
 (PCB BOARD TOLERANCE ±0.05)



15	14.00	17.30	15.60	1-2473276-5
14	13.00	16.30	14.60	1-2473276-4
13	12.00	15.30	13.60	1-2473276-3
12	11.00	14.30	12.60	1-2473276-2
11	10.00	13.30	11.60	1-2473276-1
10	9.00	12.30	10.60	1-2473276-0
09	8.00	11.30	9.60	2473276-9
08	7.00	10.30	8.60	2473276-8
07	6.00	9.30	7.60	2473276-7
06	5.00	8.30	6.60	2473276-6
05	4.00	7.30	5.60	2473276-5
04	3.00	6.30	4.60	2473276-4
03	2.00	5.30	3.60	2473276-3
02	1.00	4.30	2.60	2473276-2
PINS	DIM A	DIM B	DIM C	PN

THIS DRAWING IS A CONTROLLED DOCUMENT.

DWN	GOWTHAM	18DEC23
CHK	CONNOR KANG	-
APVD	HOPE LU	18DEC23
PRODUCT SPEC	108-161192	
APPLICATION SPEC	114-160811	
WEIGHT	0	
CUSTOMER DRAWING		

TE Connectivity Ltd.

WIR TO BOARD CONNECTOR
 SIDE ENTRY, SINGLE ROW ,SMT TYPE

SIZE	A2	CAGE CODE	00779	DRAWING NO	C=2473276	RESTRICTED TO	-
SCALE	1:1	SHEET	1 of 3	REV	A		

4 3 2 1

© - TE Connectivity. All Rights Reserved.

REVISIONS					
P	LTR	DESCRIPTION	DATE	DWN	APVD
-	-	SEE SHEET 1	-	-	-

HSF

CARRIER FOR 2 TO 5 PIN & 7 TO 14 PIN

CARRIER FOR 15 PIN

TE P/N	PIN	W	F	PCS/Reel	PCS/Inner Box	PCS/Outer Box
2473276-2	2P	16.0±0.30	7.50±0.15	1500	6000	18000
2473276-3	3P					
2473276-4	4P					
2473276-5	5P					
2473276-7	7P	24.0±0.30	11.50±0.15	1500	4500	13500
2473276-8	8P					
2473276-9	9P					
1-2473276-0	10P					
1-2473276-1	11P					
1-2473276-2	12P					
1-2473276-3	13P	32.0±0.30	14.20±0.15	1500	3000	9000
1-2473276-4	14P					
1-2473276-5	15P					

No.1:

Before package, pay attention to leave more than 160mm(min) empty, after put the products into the carrier groove, packing with the cover bend then, Note: the tension between tape and cover bend is 10g~120g

Outer box: CTN-18KTE

No.4:
Seal, pack, label.

No.3:

Put inner box into outer box, (3pcs inner box/outer box) pay attention to the unified label direction.

Inner box: CTN-18E

No.2:

Pack the reel in the PE-33 waterproof bag packing, put 1pcs drying agent, seal it with vacuum machine and put it into the inner box, seal it with sealing glue, with labels.

THIS DRAWING IS A CONTROLLED DOCUMENT.		DWN GOWTHAM	27OCT23	TE Connectivity Ltd.	
DIMENSIONS: mm		CHK CONNOR KANG	-		
TOLERANCES UNLESS OTHERWISE SPECIFIED:		APVD HOPE LU	18DEC23	NAME WIR TO BOARD CONNECTOR SIDE ENTRY, SINGLE ROW ,SMT TYPE	
0 PLC ± -		PRODUCT SPEC	-	SIZE A2	
1 PLC ± -		APPLICATION SPEC	-	CAGE CODE 00779	DRAWING NO C=2473276
2 PLC ± 0.25		WEIGHT 0	-	RESTRICTED TO	
3 PLC ± -		FINISH	-	SCALE 1:1	
4 PLC ± -		MATERIAL	-	SHEET 2 of 3	
ANGLES ± -		CUSTOMER DRAWING	-	REV A	
FINISH					

1471-9 (1/15)

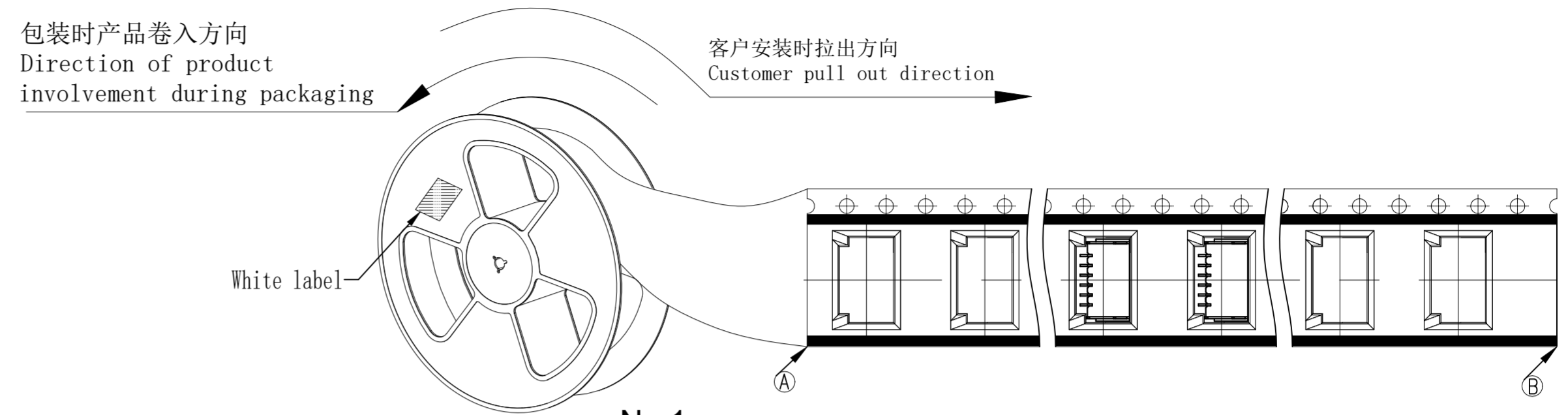
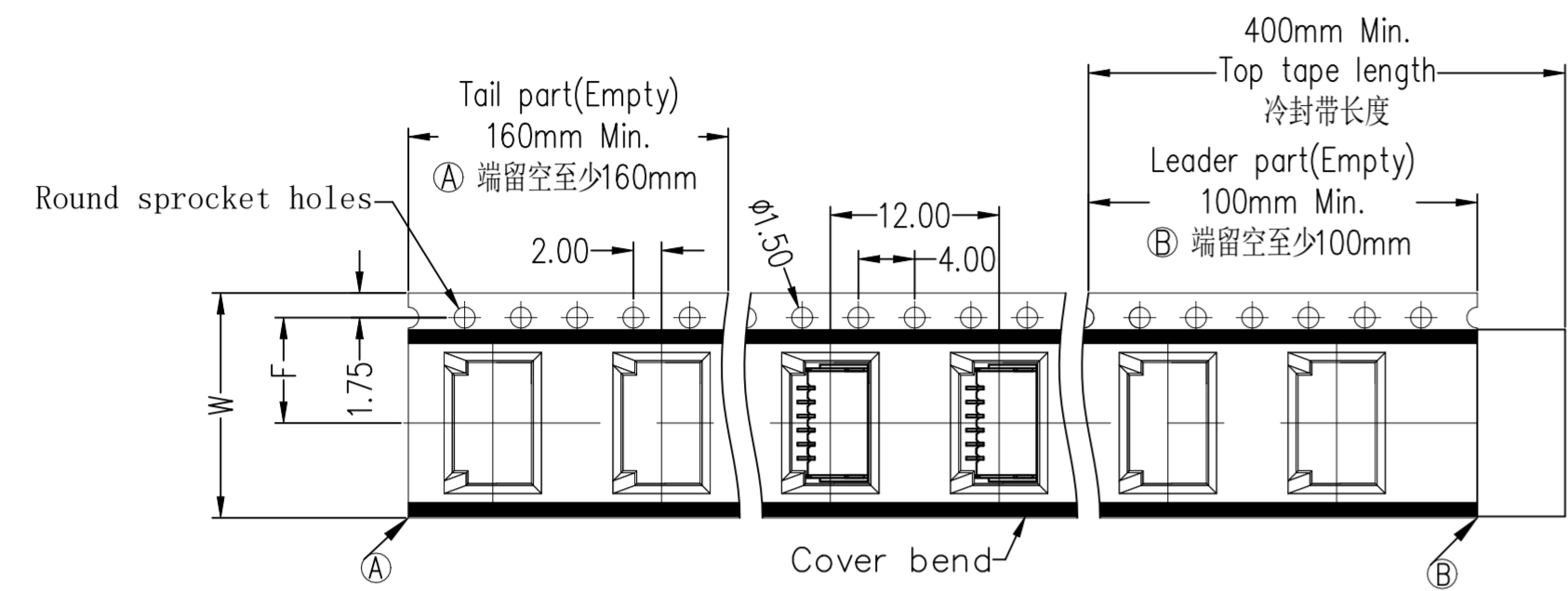
2473276

B

A

HSF

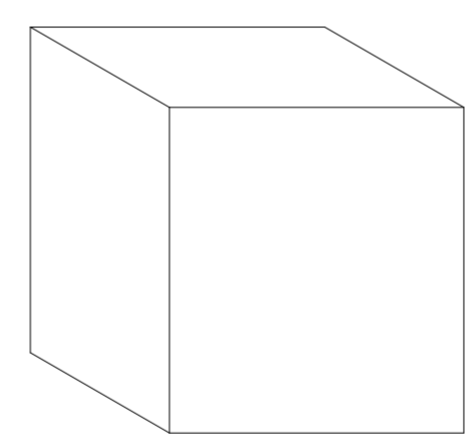
REVISIONS					
P	LTR	DESCRIPTION	DATE	DWN	APVD
-	-	SEE SHEET 1	-	-	-



No.1:
 Before package, pay attention to leave more than 160mm(min) empty, after put the products into the carrier groove, packing with the cover bend then,
 Note: the tension between tape and cover bend is 10g~120g

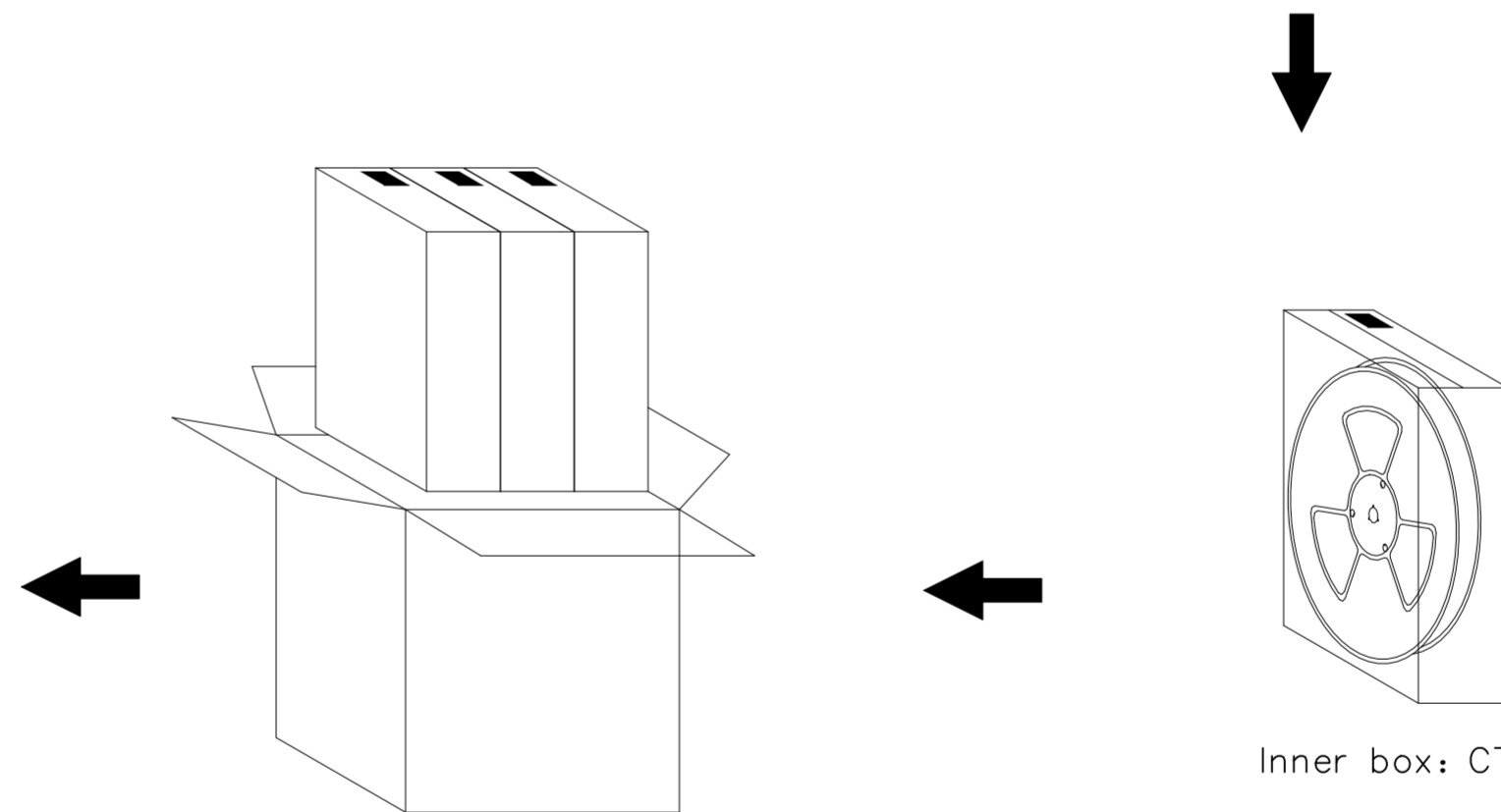
Remark:
 Special product direction
 Only For 2473276-6 (6PIN)

Detail
 Scale 2:1



Outer box: CTN-18KTE

No.4:
 Seal, pack, label.



Inner box: CTN-18E

No.3:
 Put inner box into outer box,
 (3pcs inner box/outer box)
 pay attention to the unified label direction.

No.2:
 Pack the reel in the PE-33 waterproof bag packing,
 put 1pcs drying agent,
 seal it with vacuum machine and put it into the inner box,
 seal it with sealing glue, with labels.

TE P/N	PIN	W	F	PCS/Reel	PCS/Inner Box	PCS/Outer Box
2473276-6	6P	16.0±0.30	7.50±0.15	1500	6000	18000

THIS DRAWING IS A CONTROLLED DOCUMENT.		DWN GOWTHAM 18DEC23	TE Connectivity Ltd.	
DIMENSIONS: mm		CHK CONNOR KANG		
TOLERANCES UNLESS OTHERWISE SPECIFIED:		APVD HOPE LU 18DEC23	NAME WIR TO BOARD CONNECTOR SIDE ENTRY, SINGLE ROW ,SMT TYPE	
0 PLC ± -		APPLICATION SPEC	SIZE A2	CAGE CODE 00779
1 PLC ± -		WEIGHT 0	DRAWING NO C=2473276	RESTRICTED TO
2 PLC ± 0.25		CUSTOMER DRAWING	SCALE 1:1	SHEET 3 of 3
3 PLC ± -			REV A	
4 PLC ± -				
ANGLES ± -				
FINISH				