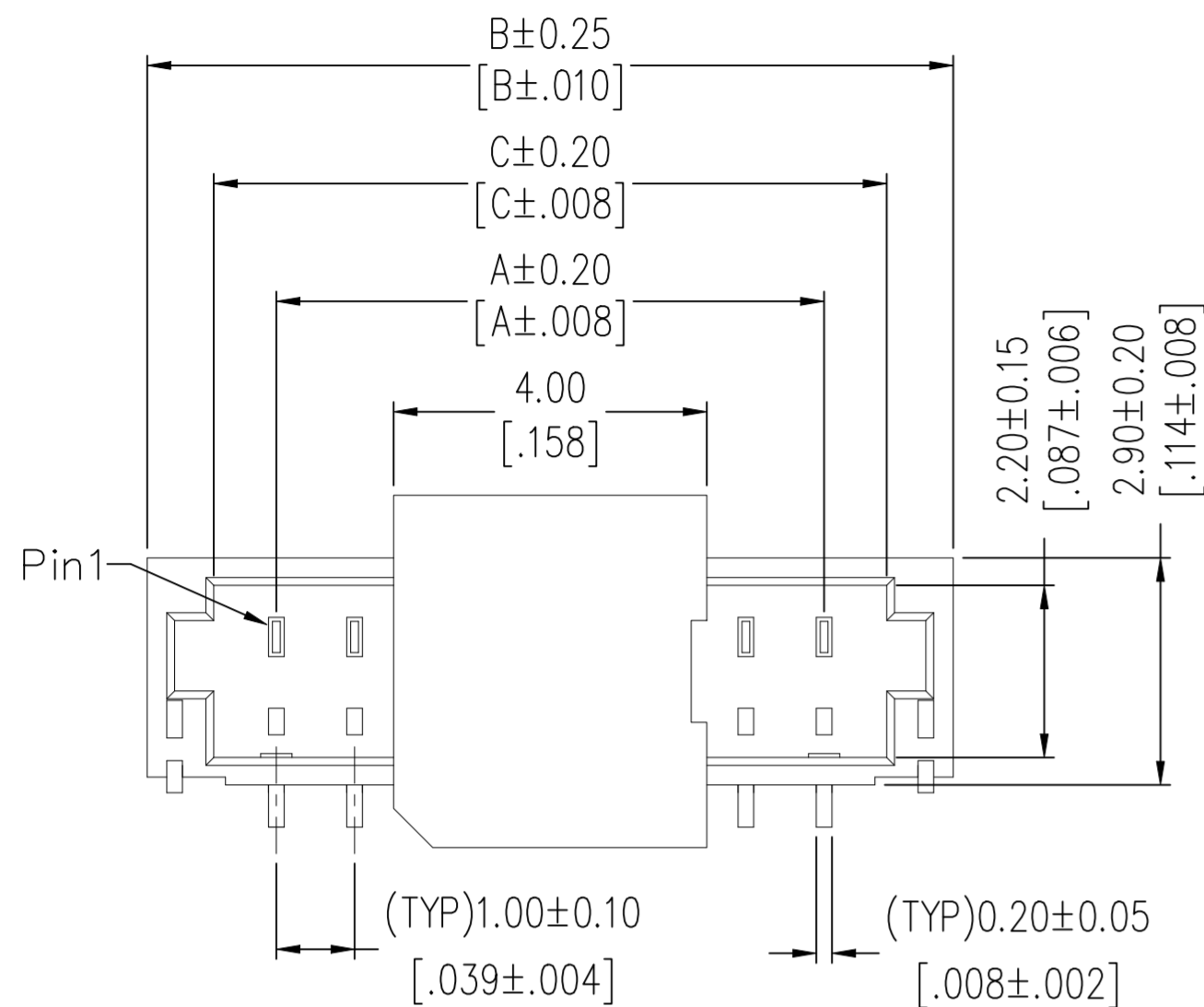
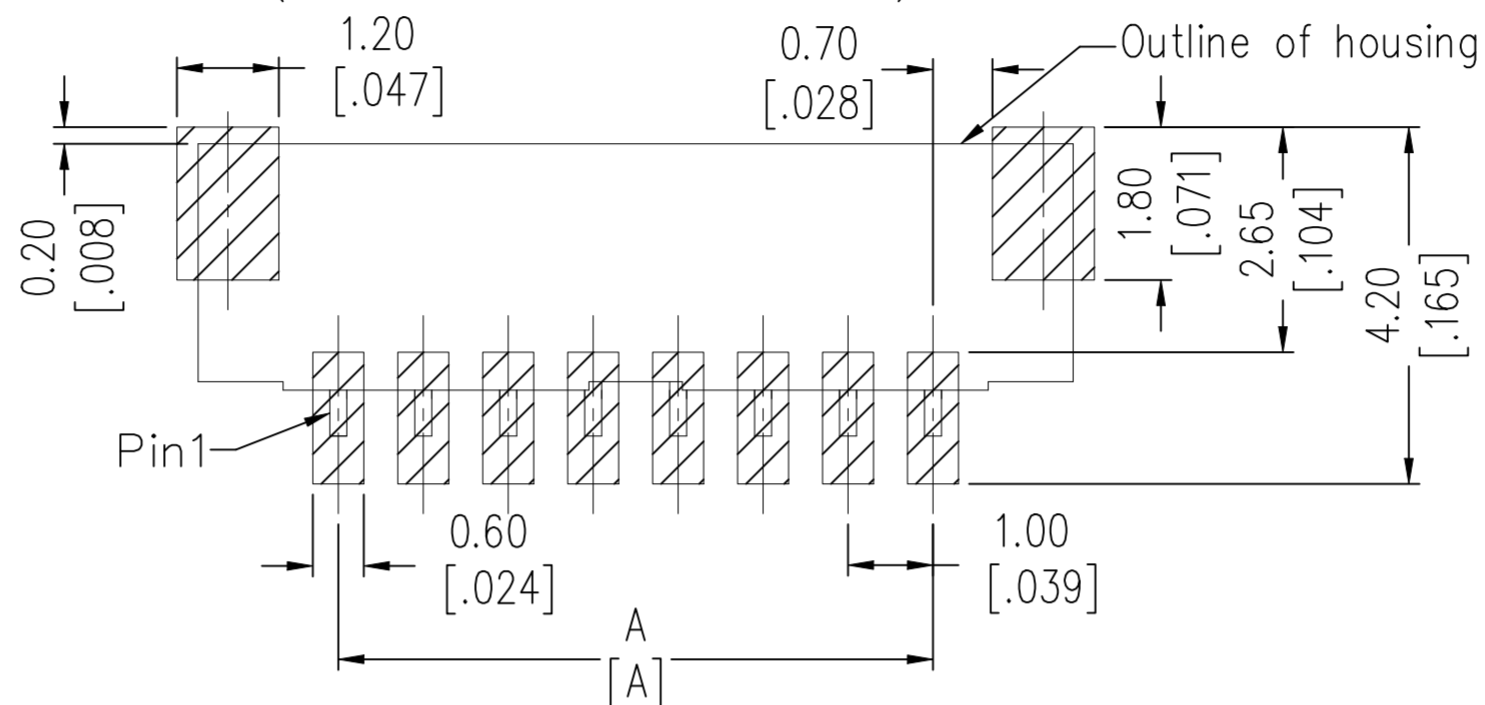


| REVISIONS | | | | |
|-----------|-----|-----------------|---------|---------|
| P | LTR | DESCRIPTION | DATE | APVD |
| A | | INITIAL RELEASE | 18DEC23 | G.C H.L |



Recommended P.C.B Layout (Top Side)
(PCB BOARD TOLERANCE±0.05)

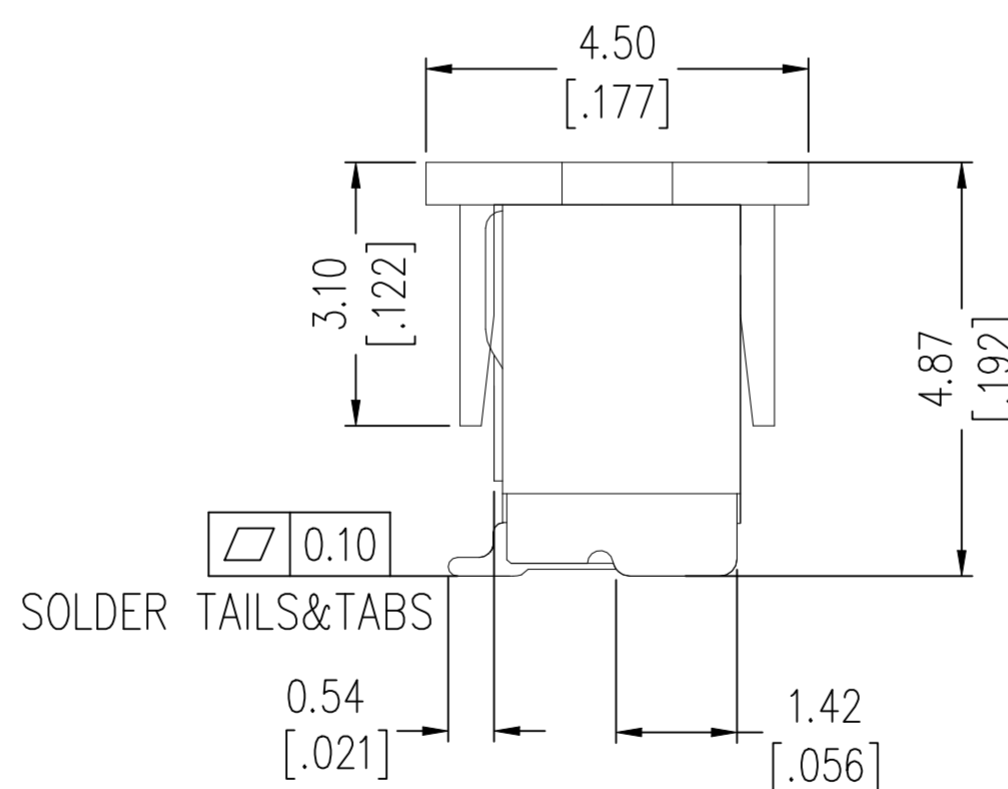
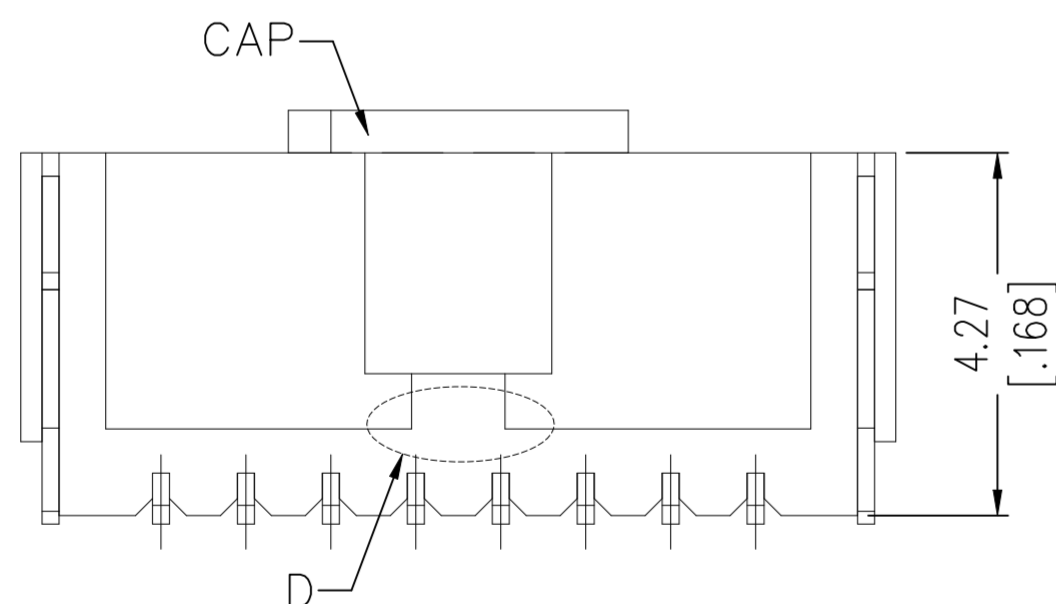


NOTES:

Rated Current:1.0A AC/DC(28#AWG)
Rated Voltage:50V AC/DC
Contact Resistance:20mΩ Max.
Withstand Voltage:500V AC/Minute
Insulation Resistance:100MΩ Min.
Operation Temperature:-25°C to +85°C

Housing Material:Thermoplastic (UL94V-0)
CAP Material:Thermoplastic (UL94V-0)
Contact Material:Brass,
80u"MIN. Matte tin over 30u"MIN. Nickel
Solder Tabs:Brass,
80u"MIN. Matte tin over 30u"MIN. Nickel
02-05P Without Slot "D"

Recommended process:
IR soldering,Peak temperature:260±5°C,5s



| | | | | |
|------|-------|-------|-------|-------------|
| 15 | 14.00 | 17.30 | 15.60 | 1-2473274-5 |
| 14 | 13.00 | 16.30 | 14.60 | 1-2473274-4 |
| 13 | 12.00 | 15.30 | 13.60 | 1-2473274-3 |
| 12 | 11.00 | 14.30 | 12.60 | 1-2473274-2 |
| 11 | 10.00 | 13.30 | 11.60 | 1-2473274-1 |
| 10 | 9.00 | 12.30 | 10.60 | 1-2473274-0 |
| 09 | 8.00 | 11.30 | 9.60 | 2473274-9 |
| 08 | 7.00 | 10.30 | 8.60 | 2473274-8 |
| 07 | 6.00 | 9.30 | 7.60 | 2473274-7 |
| 06 | 5.00 | 8.30 | 6.60 | 2473274-6 |
| 05 | 4.00 | 7.30 | 5.60 | 2473274-5 |
| 04 | 3.00 | 6.30 | 4.60 | 2473274-4 |
| 03 | 2.00 | 5.30 | 3.60 | 2473274-3 |
| 02 | 1.00 | 4.30 | 2.60 | 2473274-2 |
| PINS | DIM A | DIM B | DIM C | PN |

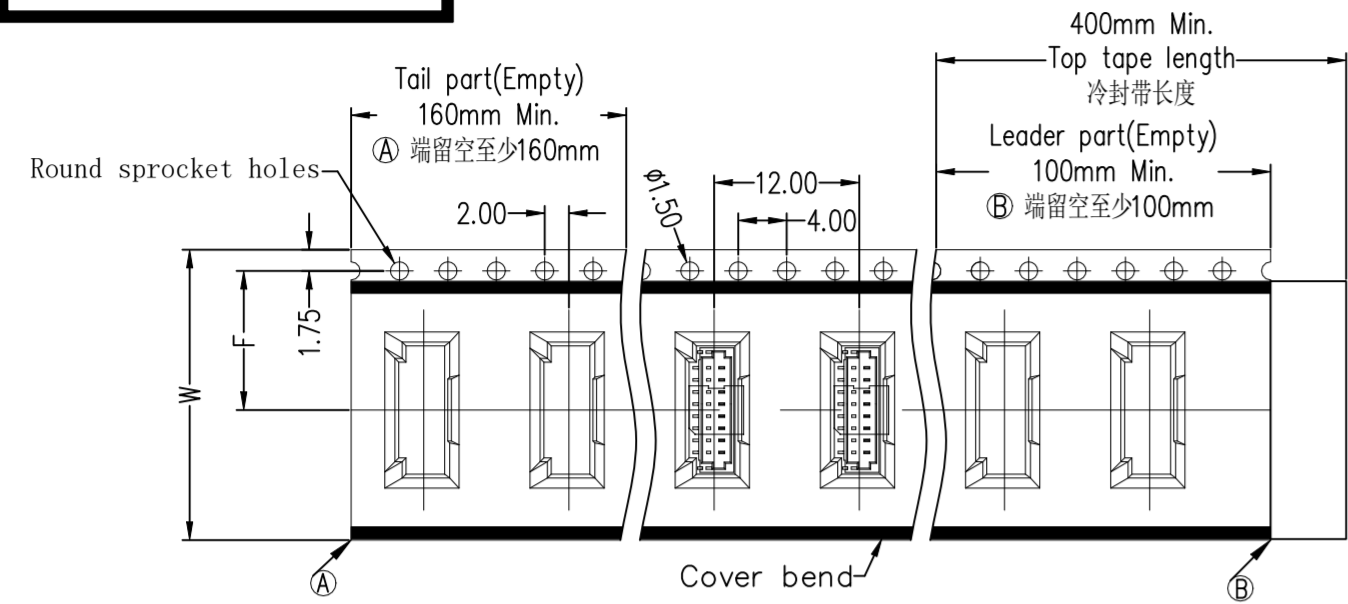
THIS DRAWING IS A CONTROLLED DOCUMENT.

| | | | |
|------------------|-------------|---------|---|
| DWN | GOWTHAM | 18DEC23 | TE Connectivity Ltd. |
| CHK | CONNOR KANG | - | |
| APVD | HOPE LU | 18DEC23 | |
| PRODUCT SPEC | 108-161192 | | |
| APPLICATION SPEC | 114-160811 | | NAME |
| MATERIAL | | | 1.00MM PITCH WIRE TO BOARD CONNECTOR, HEADER, SMT, VERTICAL TYPE. |
| FINISH | | | SIZE |
| | | | A2 |
| | | | CAGE CODE |
| | | | 00779 |
| | | | DRAWING NO |
| | | | C=2473274 |
| | | | RESTRICTED TO |
| | | | - |
| | | | SCALE |
| | | | 1:1 |
| | | | SHEET |
| | | | 1 OF 2 |
| | | | REV |
| | | | A |

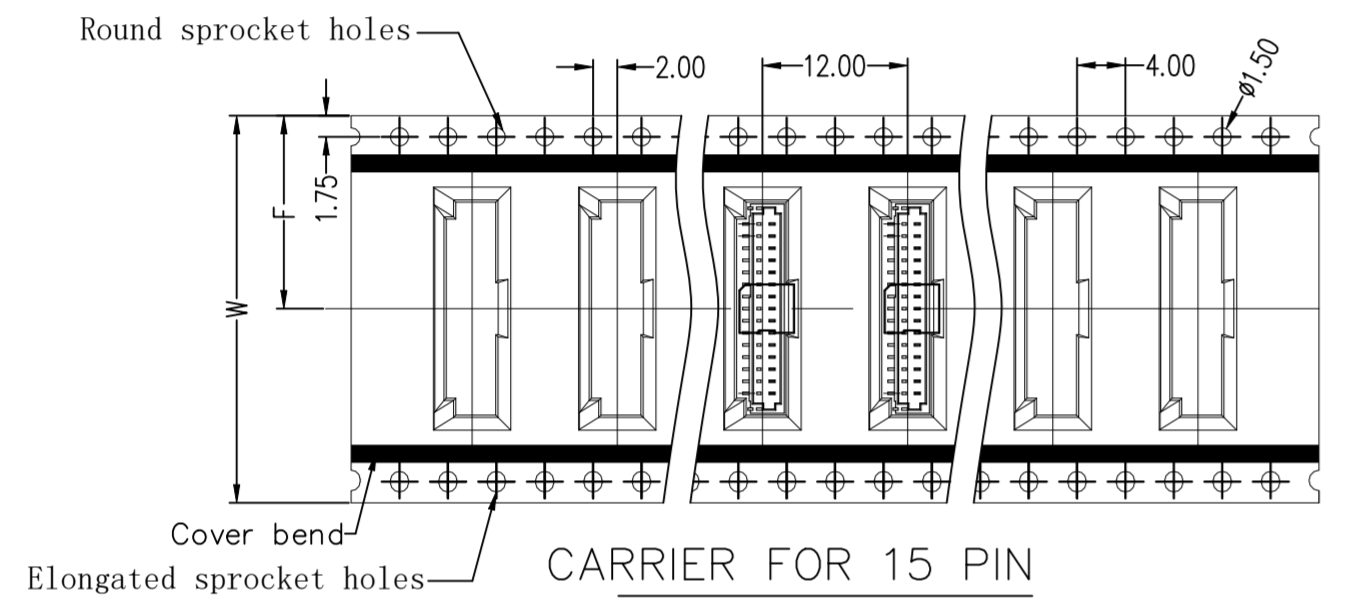
CUSTOMER DRAWING

| REVISIONS | | | | | |
|-----------|-----|-------------|------|-----|------|
| P | LTR | DESCRIPTION | DATE | DWN | APVD |
| - | - | SEE SHEET 1 | - | - | - |

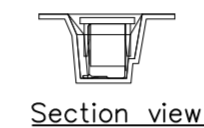
HSF



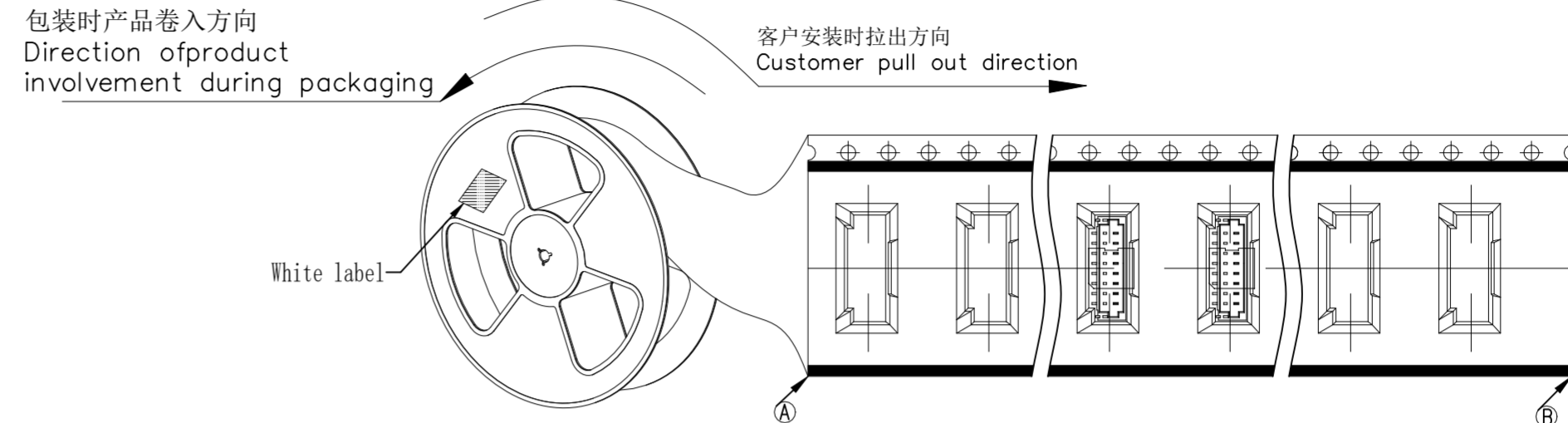
CARRIER FOR 2 TO 14 PIN



CARRIER FOR 15 PIN

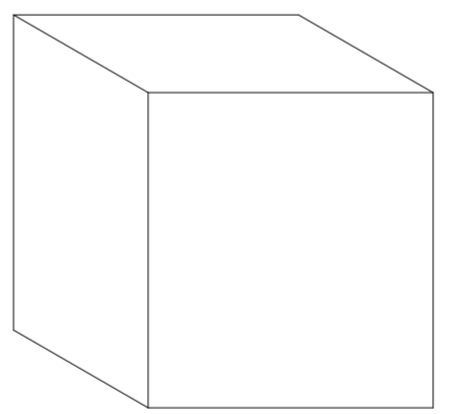


Section view



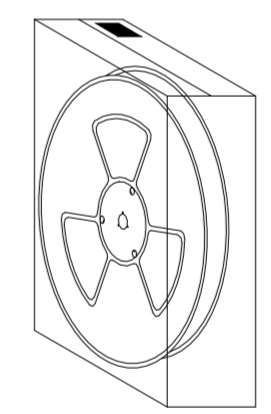
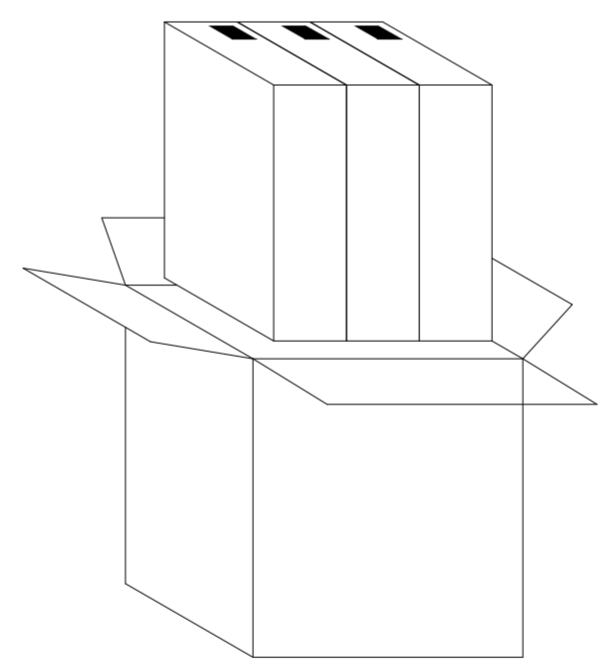
No.1:
 Before package, pay attention to leave more than 160mm(min) empty, after put the products into the carrier groove, packing with the cover bend then,
 Note: the tension between tape and cover bend is 10g~120g

| TE P/N | PIN | W | F | PCS/Reel | PCS/Inner Box | PCS/Outer Box |
|-------------|-----|-----------|------------|----------|---------------|---------------|
| 2473274-2 | 2P | 16.0±0.30 | 7.50±0.15 | 1000 | 4000 | 12000 |
| 2473274-3 | 3P | | | | | |
| 2473274-4 | 4P | | | | | |
| 2473274-5 | 5P | | | | | |
| 2473274-6 | 6P | | | | | |
| 2473274-7 | 7P | 24.0±0.30 | 11.50±0.15 | 1000 | 3000 | 9000 |
| 2473274-8 | 8P | | | | | |
| 2473274-9 | 9P | | | | | |
| 1-2473274-0 | 10P | | | | | |
| 1-2473274-1 | 11P | | | | | |
| 1-2473274-2 | 12P | 32.0±0.30 | 14.20±0.15 | 1000 | 2000 | 6000 |
| 1-2473274-3 | 13P | | | | | |
| 1-2473274-4 | 14P | | | | | |
| 1-2473274-5 | 15P | | | | | |



Outer box: CTN-18KTE

No.4:
 Seal, pack, label.



Inner box: CTN-18E

No.3:
 Put inner box into outer box, (3pcs inner box/outer box) pay attention to the unified label direction.

No.2:
 Pack the reel in the PE-33 waterproof bag packing, put lpcs drying agent, seal it with vacuum machine and put it into the inner box, seal it with sealing glue, with labels.

| | | | | |
|--|--|----------------------------|---|--|
| THIS DRAWING IS A CONTROLLED DOCUMENT. | | DWN GOWTHAM 18DEC23 | TE Connectivity Ltd. | |
| DIMENSIONS: mm | | CHK CONNOR KANG | | |
| TOLERANCES UNLESS OTHERWISE SPECIFIED: | | APVD HOPE LU 18DEC23 | NAME 1.00MM PITCH WIRE TO BOARD CONNECTOR, HEADER, SMT, VERTICAL TYPE. | |
| 0 PLC ± - | | PRODUCT SPEC | SIZE A2 | |
| 1 PLC ± - | | APPLICATION SPEC | CAGE CODE 00779 | |
| 2 PLC ± 0.25 | | WEIGHT 0 | DRAWING NO C=2473274 | |
| 3 PLC ± 0.15 | | MATERIAL | RESTRICTED TO | |
| 4 PLC ± - | | FINISH | SCALE 1:1 | |
| ANGLES ± - | | CUSTOMER DRAWING | SHEET 2 of 2 | |
| FINISH | | | REV A | |