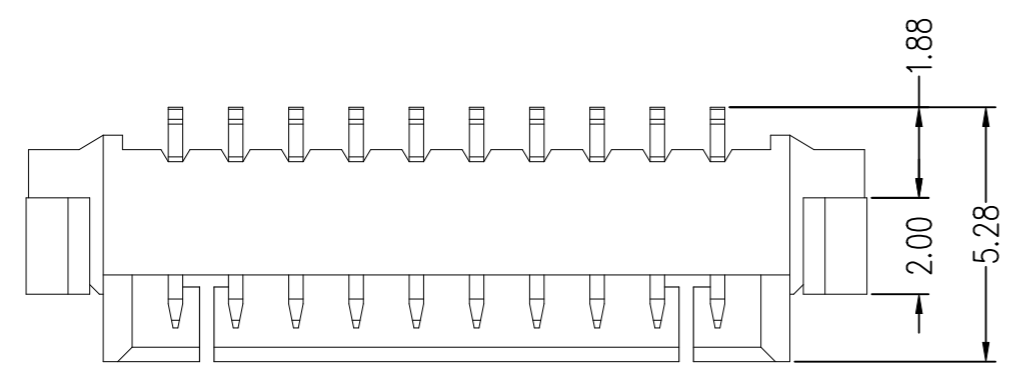
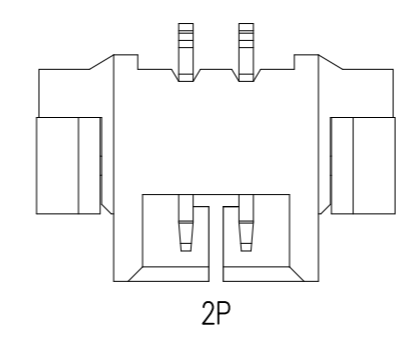


© - TE Connectivity. All Rights Reserved.

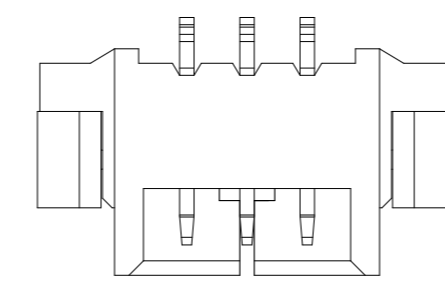
REVISIONS					
P	LTR	DESCRIPTION	DATE	DWN	APVD
	A	INITIAL RELEASE	21DEC2023	G.C	H.L



4~15P

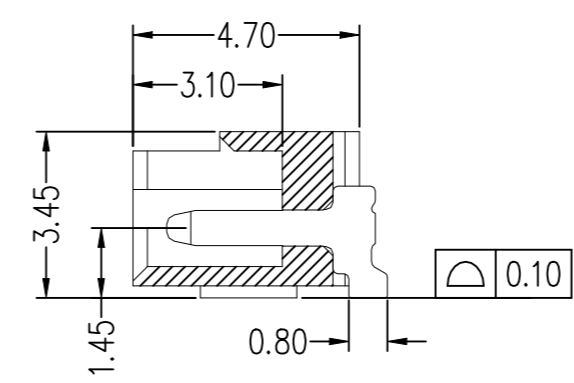
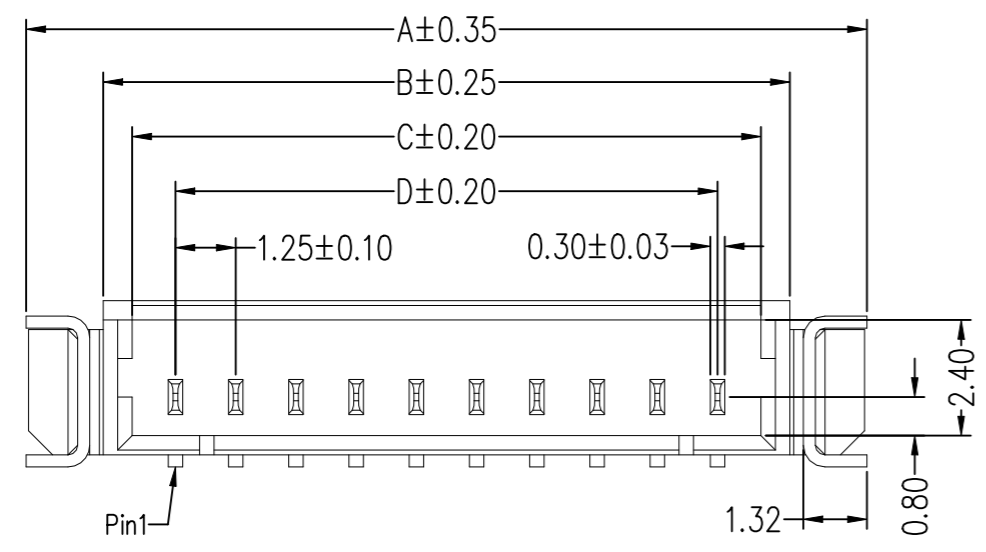


2P

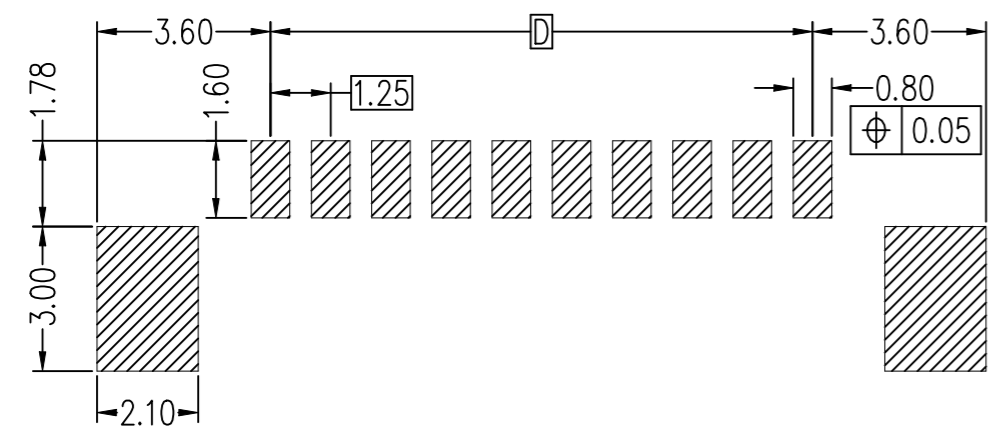


3P

- NOTES:
- Current Rating: 1.0A
 - Contact Resistance: 20mΩ Max
 - Withstand Voltage: 500V AC
 - Insulation Resistance: 100MΩ Min
 - Operation Temperature: -25°C to +85°C
 - Housing: High temperature thermoplastic, UL94V-0, Natural
 - Contact: Brass (See Table) over 50u" nickel
 - Tab: Brass 100u" Matte tin over 50u" nickel



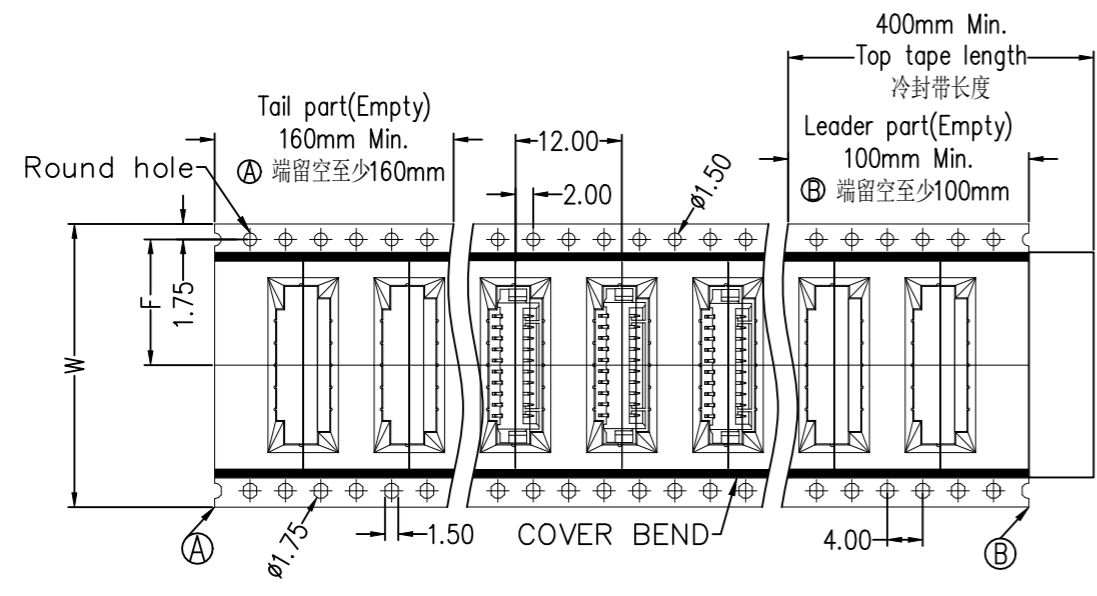
CONTACT PLATING	HOUSING COLOR	PINS	DIM A	DIM B	DIM C	DIM D	PN
30u"Gold	Black	2	7.45	4.25	3.05	1.25	5-2473250-2
		15	23.70	20.50	19.30	17.50	4-2473250-5
		14	22.45	19.25	18.05	16.25	4-2473250-4
		13	21.20	18.00	16.80	15.00	4-2473250-3
		12	19.95	16.75	15.55	13.75	4-2473250-2
		11	18.70	15.50	14.30	12.50	4-2473250-1
		10	17.45	14.25	13.05	11.25	4-2473250-0
		9	16.20	13.00	11.80	10.00	3-2473250-9
		8	14.95	11.75	10.55	8.75	3-2473250-8
		7	13.70	10.50	9.30	7.50	3-2473250-7
		6	12.45	9.25	8.05	6.25	3-2473250-6
		5	11.20	8.00	6.80	5.00	3-2473250-5
		4	9.95	6.75	5.55	3.75	3-2473250-4
		3	8.70	5.50	4.30	2.50	3-2473250-3
		2	7.45	4.25	3.05	1.25	3-2473250-2
30u"Gold	Natural	15	23.70	20.50	19.30	17.50	4-2473250-5
		14	22.45	19.25	18.05	16.25	4-2473250-4
		13	21.20	18.00	16.80	15.00	4-2473250-3
		12	19.95	16.75	15.55	13.75	4-2473250-2
		11	18.70	15.50	14.30	12.50	4-2473250-1
		10	17.45	14.25	13.05	11.25	4-2473250-0
		9	16.20	13.00	11.80	10.00	3-2473250-9
		8	14.95	11.75	10.55	8.75	3-2473250-8
		7	13.70	10.50	9.30	7.50	3-2473250-7
		6	12.45	9.25	8.05	6.25	3-2473250-6
		5	11.20	8.00	6.80	5.00	3-2473250-5
		4	9.95	6.75	5.55	3.75	3-2473250-4
		3	8.70	5.50	4.30	2.50	3-2473250-3
		2	7.45	4.25	3.05	1.25	3-2473250-2
		100u" Matte tin	Natural	15	23.70	20.50	19.30
14	22.45			19.25	18.05	16.25	1-2473250-4
13	21.20			18.00	16.80	15.00	1-2473250-3
12	19.95			16.75	15.55	13.75	1-2473250-2
11	18.70			15.50	14.30	12.50	1-2473250-1
10	17.45			14.25	13.05	11.25	1-2473250-0
9	16.20			13.00	11.80	10.00	2473250-9
8	14.95			11.75	10.55	8.75	2473250-8
7	13.70			10.50	9.30	7.50	2473250-7
6	12.45			9.25	8.05	6.25	2473250-6
5	11.20			8.00	6.80	5.00	2473250-5
4	9.95			6.75	5.55	3.75	2473250-4
3	8.70			5.50	4.30	2.50	2473250-3
2	7.45			4.25	3.05	1.25	2473250-2



RECOMMENDED P.C.B LAYOUT (COMPONENT SIDE)(TOLERANCE: ±0.05)

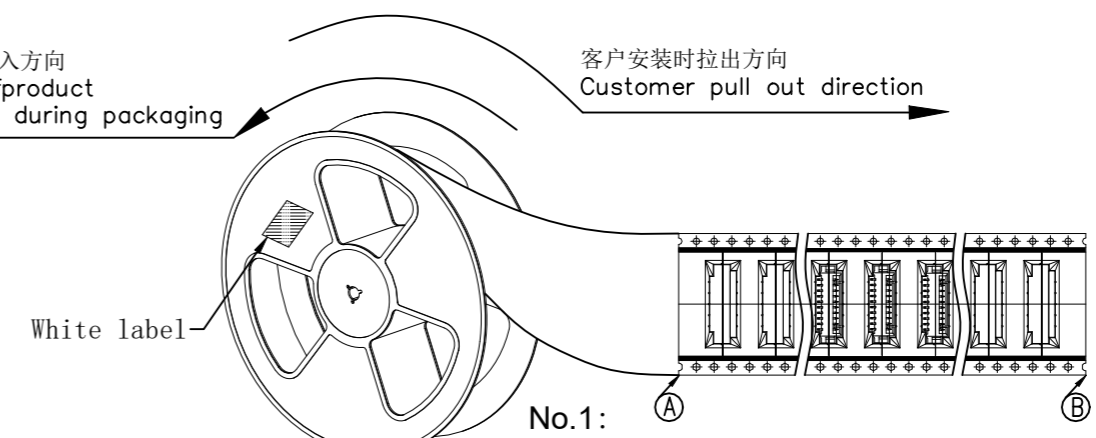
THIS DRAWING IS A CONTROLLED DOCUMENT.		DWN	21DEC23		STE TE Connectivity
		CHK	-		
		APVD	21DEC23		
		NAME	-		
DIMENSIONS: mm		TOLERANCES UNLESS OTHERWISE SPECIFIED:		WIRE TO BOARD MALE HEADER 1.25MM PITCH, SMT, RIGHT ANGLE	
		0 PLC ± - 1 PLC ± - 2 PLC ± 0.25 3 PLC ± - 4 PLC ± - ANGLES ± -			
MATERIAL		FINISH		RESTRICTED TO	
-		-		-	
		PRODUCT SPEC		SIZE	
		108-161194		A3	
		APPLICATION SPEC		CAGE CODE	
		114-160812		00779	
		WEIGHT		DRAWING NO	
		0		C-2473250	
CUSTOMER DRAWING		SCALE		SHEET	
		1:1		1 OF 2	
				REV	
				A	

REVISIONS					
P	LTR	DESCRIPTION	DATE	DWN	APVD
-	-	SEE SHEET 1	-	-	-

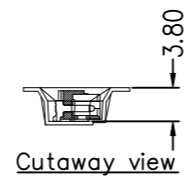


包装时产品卷入方向
Direction of product involvement during packaging

客户安装时拉出方向
Customer pull out direction



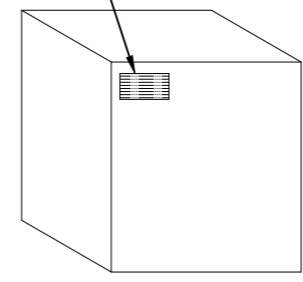
No.1:
Before package, pay attention to leave more than 160mm(min) empty, after put the products into the carrier groove, packing with the cover bend then, Note: the tension between tape and cover bend is 10g~120g



Note:
1. $W \leq 24$, Only Round sprocket holes
2. $W \geq 32$, Round sprocket holes and Elongated sprocket holes

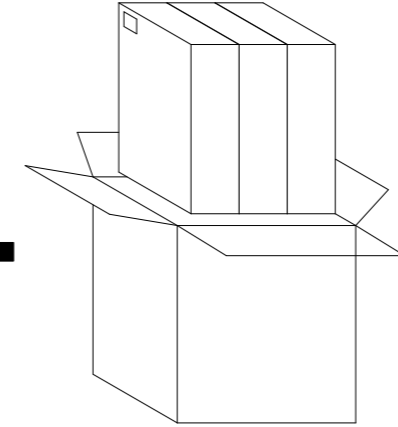
Environmental label

PIN	TE P/N	W	F	PCS/Reel	PCS/Inner Box	PCS/Outer Box
2	5-2473250-2	16.0 ± 0.30	7.50 ± 0.15	1300	5200	15600
	3-2473250-2					
	2473250-2					
3	3-2473250-3	24.0 ± 0.30	11.50 ± 0.15	1300	3900	11700
	2473250-3					
4	3-2473250-4	32.0 ± 0.30	14.20 ± 0.15	1300	2600	7800
	2473250-4					
5	3-2473250-5	44.0 ± 0.30	20.20 ± 0.15	1300	2600	7800
	2473250-5					
6	3-2473250-6	44.0 ± 0.30	20.20 ± 0.15	1300	2600	7800
	2473250-6					
7	3-2473250-7	44.0 ± 0.30	20.20 ± 0.15	1300	2600	7800
	2473250-7					
8	3-2473250-8	44.0 ± 0.30	20.20 ± 0.15	1300	2600	7800
	2473250-8					
9	3-2473250-9	44.0 ± 0.30	20.20 ± 0.15	1300	2600	7800
	2473250-9					
10	4-2473250-0	44.0 ± 0.30	20.20 ± 0.15	1300	2600	7800
	1-2473250-0					
11	4-2473250-1	44.0 ± 0.30	20.20 ± 0.15	1300	2600	7800
	1-2473250-1					
12	4-2473250-2	44.0 ± 0.30	20.20 ± 0.15	1300	2600	7800
	1-2473250-2					
13	4-2473250-3	44.0 ± 0.30	20.20 ± 0.15	1300	2600	7800
	1-2473250-3					
14	4-2473250-4	44.0 ± 0.30	20.20 ± 0.15	1300	2600	7800
	1-2473250-4					
15	4-2473250-5	44.0 ± 0.30	20.20 ± 0.15	1300	2600	7800
	1-2473250-5					

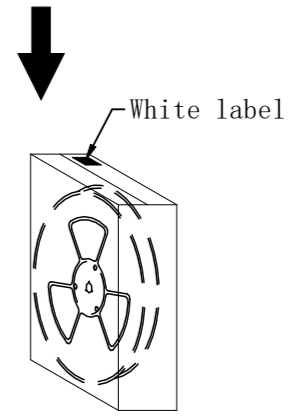


Outer box: CTN-18KTE

No.4:
Seal, pack, label.



No.3:
Put inner box into outer box, (3pcs inner box/outer box) pay attention to the unified label direction.



Inner box: CTN-18E

No.2:
Pack the reel in the PE-33 waterproof bag packing, put 1pcs drying agent, seal it with vacuum machine and put it into the inner box, seal it with sealing glue, with labels.

THIS DRAWING IS A CONTROLLED DOCUMENT.		DWN GOWTHAM 21DEC23	TE Connectivity				
DIMENSIONS: mm		CHK CONNOR KANG					
TOLERANCES UNLESS OTHERWISE SPECIFIED:		APVD HOPE LU 21DEC23	NAME				
0 PLC ± - 1 PLC ± - 2 PLC ± 0.25 3 PLC ± - 4 PLC ± - ANGLES ± -		PRODUCT SPEC	WIRE TO BOARD MALE HEADER 1.25MM PITCH, SMT, RIGHT ANGLE				
MATERIAL		FINISH	APPLICATION SPEC	SIZE	CAGE CODE	DRAWING NO	RESTRICTED TO
-		-	-	0	A300779	C-2473250	-
CUSTOMER DRAWING			SCALE	SHEET	REV		
			1:1	2 OF 2	A		