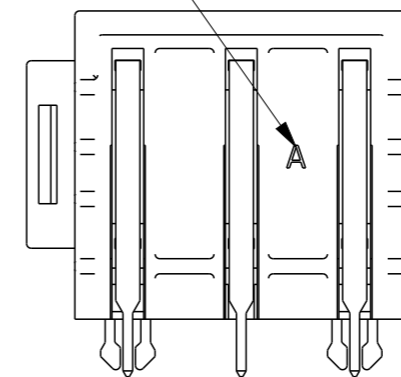
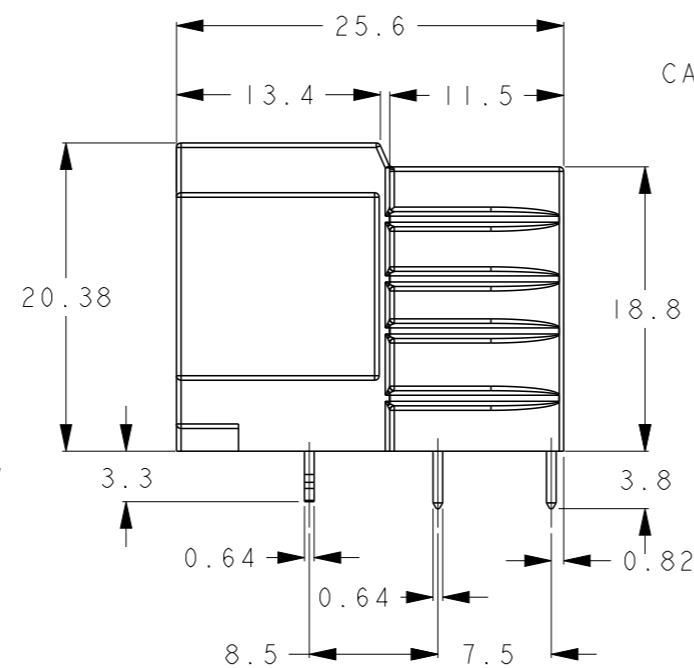
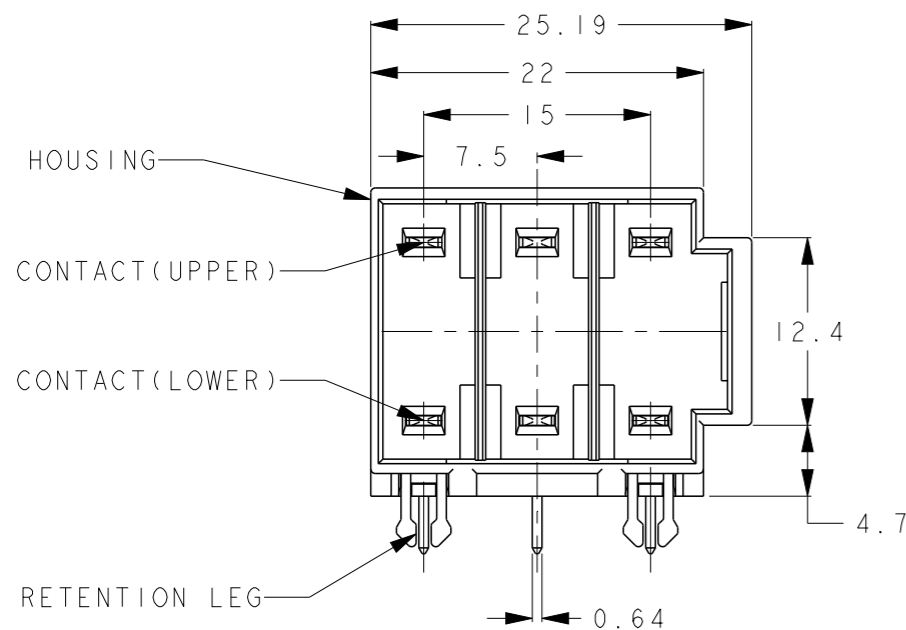
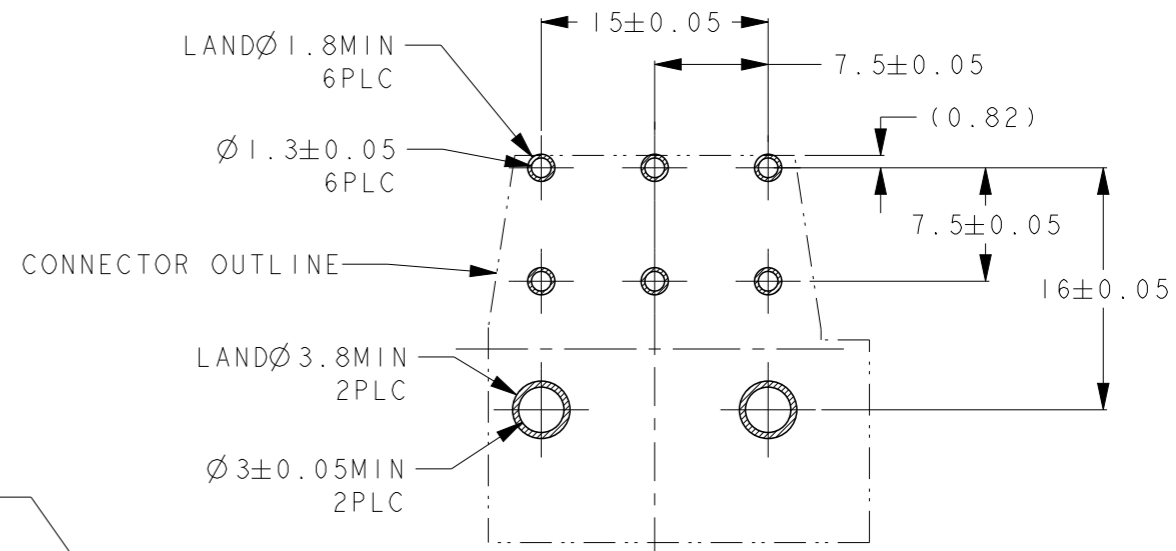
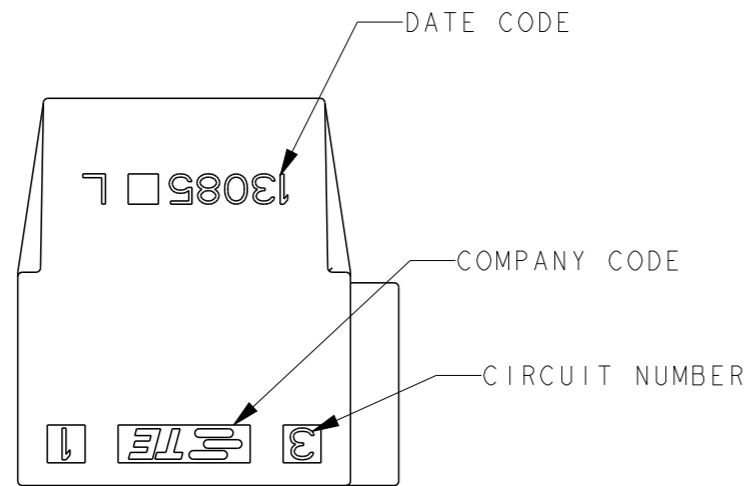
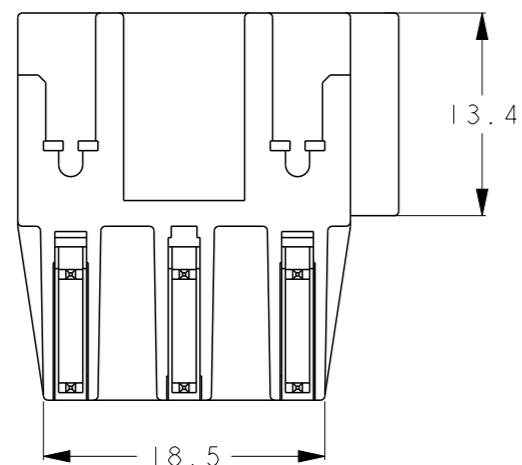


LOC	DIST	REVISIONS					
		P	LTR	DESCRIPTION	DATE	DWN	APVD
			A	INITIAL	02FEB2024	F.Z	R.B




PCB THICKNESS: 1.6±0.1  
**RECOMMENDED PCB LAYOUT**

- MATERIAL  
 HOUSING: THERMOPLASTIC POLYESTER. COLOR: BLACK.  
 CONTACT: COPPER ALLOY  
 RETENSION LEG: COPPER ALLOY
- PLATING  
 CONTACT POINT: UNDER Ni PLATING. ALL OVER: 0.002mmMin.  
 OVER Au PLATING: 0.0002mmMin.  
 RETENSION LEG AND TINE : UNDER Ni PLATING. 0.002mmMin.  
 OVER Tin PLATING. 0.002mmMin.



2470382-1  
 PART NUMBER

THIS DRAWING IS A CONTROLLED DOCUMENT.		DWN Fisher.ZHU 30AUG2023	 TE Connectivity	
DIMENSIONS: mm		CHK Rick.BIAN 30AUG2023		
TOLERANCES UNLESS OTHERWISE SPECIFIED: ±0.3		APVD Rick.BIAN 30AUG2023	NAME DYNAMIC D3950 6P HEADER ASSEMBLY LC	
0 PLC ± 1 PLC ±0.5 2 PLC ±0.13 3 PLC ±0.013 4 PLC ±0.000J ANGLES ±5		PRODUCT SPEC 108-161106	RESTRICTED TO	
MATERIAL SEE NOTE		APPLICATION SPEC 411-78272	SIZE A300779	CAGE CODE C-2470382
FINISH SEE NOTE		WEIGHT -	DRAWING NO 2470382	
		CUSTOMER DRAWING	SCALE 2:1	SHEET 1 OF 1 REV A