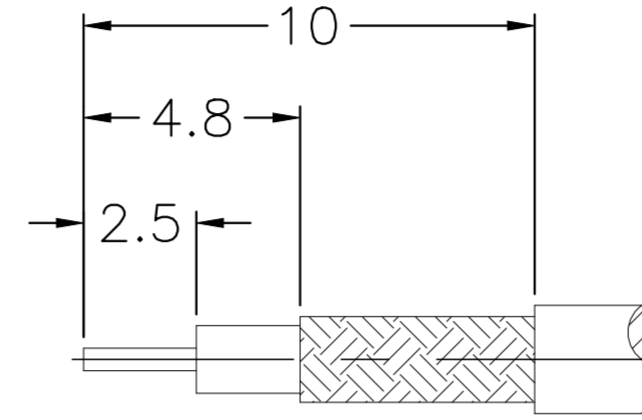
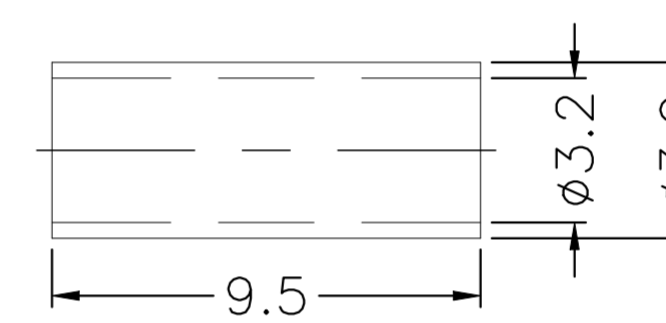
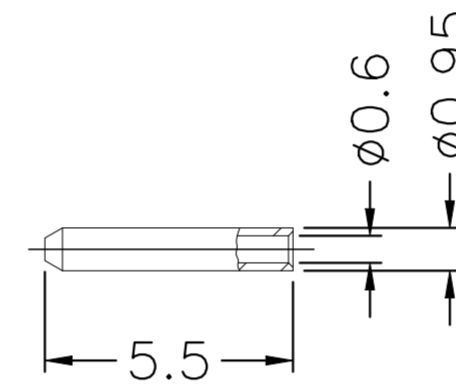
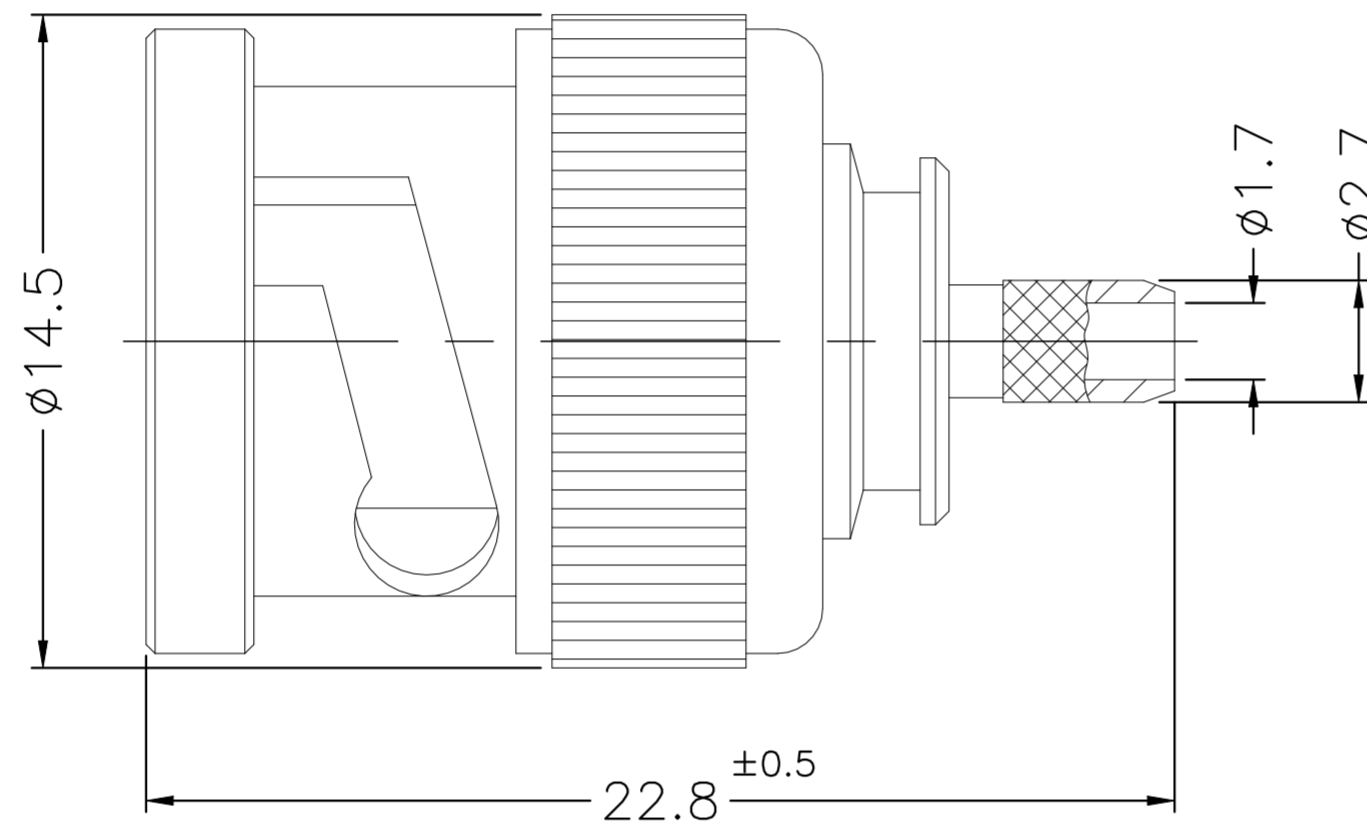


REVISIONS					
P	LTR	DESCRIPTION	DATE	DWN	APVD
	A	GTP(ECN-23-231219)	15SEP2023	ED	WH



RECOMMENDED CABLE STRIPPING DIM'S



NOTES:

- 1 PACK IN ACCORDANCE WITH TE SPEC 107-3275;
- 2 ALL DIMENSIONS ARE NOMINAL FOR REFERENCE ONLY UNLESS OTHERWISE STATED;
- 3 ELECTRICAL CHARACTERISTICS :
 FREQUENCY RANGE : DC-4GHz
 NOMINAL IMPEDANCE : 50 OHMS
 INSULATION RESISTANCE : 5000 MOHMS
 WORKING VOLTAGE : 335 VRMS MAX
 DIELECTRIC WITHSTANDING VOLTAGE : 750 VOLTS MAX
 VSWR : 1.2 MAX (DC-4GHz)
 CONTACT RESISTANCE :
 CENTER CONTACT : 3 mOHMS MAX
 OUTER CONTACT : 2 mOHMS MAX;
- 4 MECHANICAL CHARACTERISTICS :
 DURABILITY : 500 CYCLES
 CABLE RETENTION FORCE(Cable assembly): 10 lbs min.
- 5 TEMPERATURE RANGE: -65°-+165°;
- 6 CRIMPED FERRULE, HEX CRIMP SIZE .128";
 CRIMPED CONTACT PIN, SQ. CRIMP SIZE 0.7mm;
- 7 RoHS: COMPLIANT.

QTY	DESCRIPTION	MATERIAL	DESCRIPTION	ITEM
1	BRIGHT TIN 200u"/NICKEL/COPPER	BRASS	FERRULE	10
1	GOLD 50u"/NICKEL/COPPER	BRASS	CONTACT PIN	9
1	NICKEL 100u"/COPPER	BRASS	WASHER	8
1	NICKEL 100u"/COPPER	SK5	SPRING	7
1	RED	SILICONE	GASKET	6
1	NICKEL 100u"/COPPER	BRASS	BARREL	5
1	GOLD 50u"/NICKEL/COPPER	PHOSPHOR BRONZE	CONTACT PIN	4
1	NATURAL	PTFE	INSULATOR	3
1	NICKEL 100u"/COPPER	BERYLLIUM COPPER	OUTER CONTACT	2
1	NICKEL 100u"/COPPER	BRASS	SHELL	1
2466287-1	PLATING	MATERIAL	DESCRIPTION	ITEM

THIS DRAWING IS A CONTROLLED DOCUMENT.

DWN	ED	11SEP2023		TE Connectivity	
CHK	ED	11SEP2023		BNC PLUG, STRAIGHT, CRIMP, MATCH WITH RG174, 188, 316, 4GHZ	
APVD	WH	11SEP2023		-	
DIMENSIONS: mm			PRODUCT SPEC	SIZE	A2
			APPLICATION SPEC	CAGE CODE	00779
0 PLC ± 0.3 1 PLC ± 0.2 2 PLC ± 0.1 3 PLC ± - 4 PLC ± - ANGLES ± 5° FINISH -			WEIGHT	DRAWING NO	C=2466287
MATERIAL SEE TABLE			CUSTOMER DRAWING	SCALE	8:1

RESTRICTED TO -

SHEET 1 OF 1 REV A