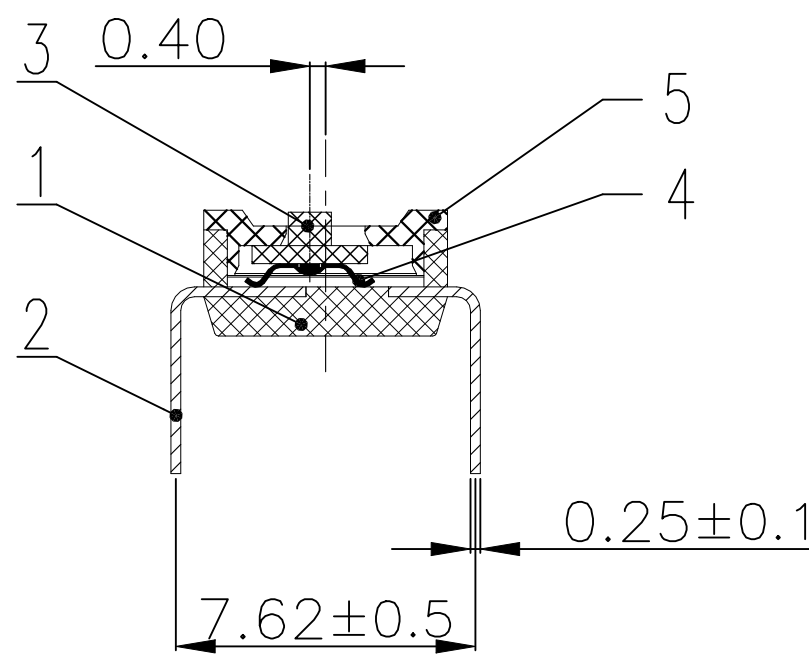
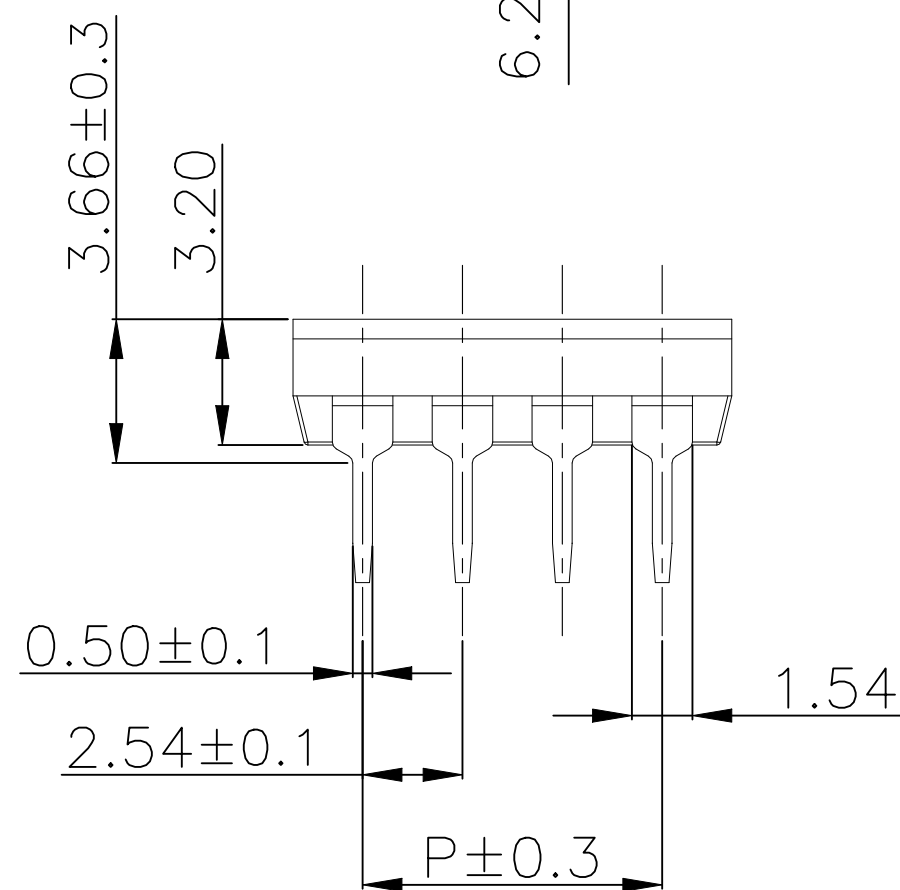
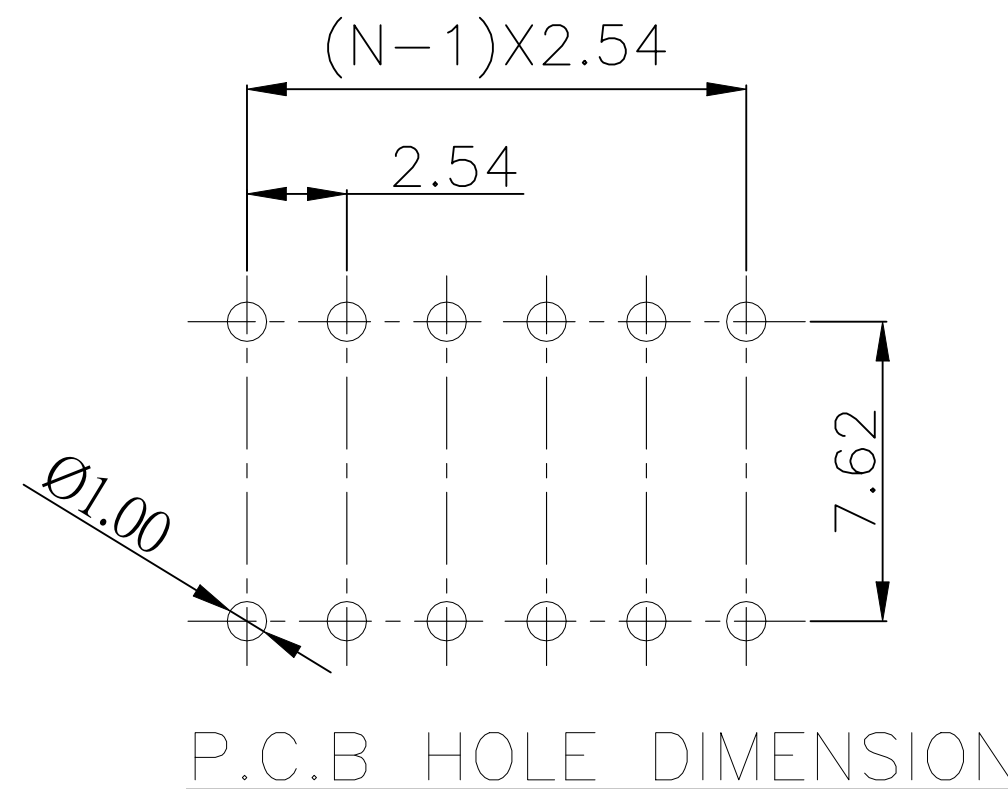
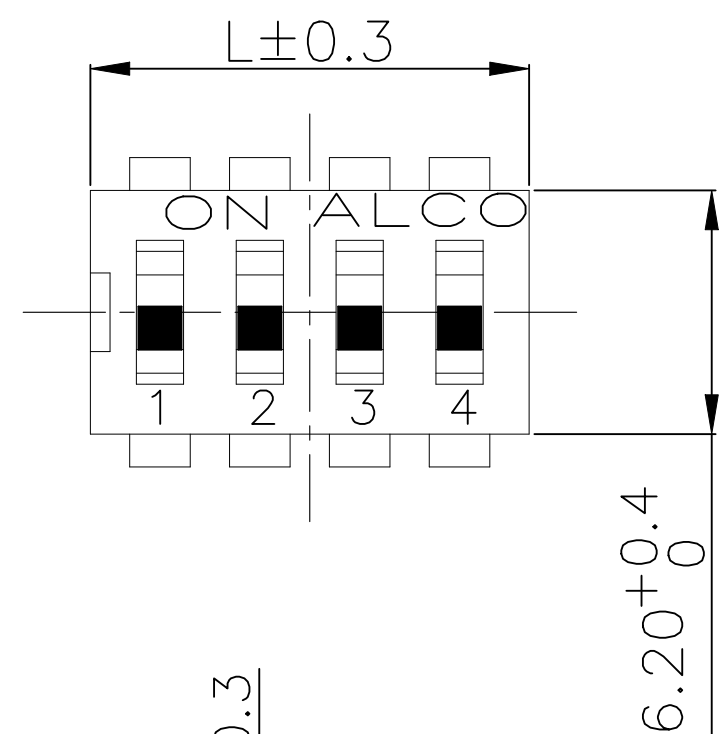


REVISIONS					
P	LTR	DESCRIPTION	DATE	DWN	APVD
1		NEW DRAWING	19MAY2023	LP	MY



SPECIFICATION

- Rating :
 - Switching : 25mA,24VDC
 - Non-Switching : 100mA,50VDC
- Contact Resistance :
 - Initial 50mΩ Max
 - After Life Test 150mΩ Max
- Insulation Resistance : 100MΩ Min/500 VDC
- Withstand Voltage: 500VAC for 1 minute
- Operating Force : 1Kgf Max
- Stroke : 0.9mm
- Mechanical Life : 1,000 Cycles
- Electrical Life : Min 1,000 Cycles/25mA,24VDC
- Operating Temperature guarantee range : -40°C~+85°C
- Storage Temperature : -40°C~+85°C
- Soldering Information :
 - Wave Soldering : 250±10°C, 5sec Max
 - Manual Soldering : 30W iron, 320±5°C, 3sec Max
 - Keep in "OFF" Position During Soldering

NOTE

- Switches to be Received In The "OFF" Position and Packaged In Clear Tubes to Accommodate Auto Insertion
- Top Surface to be Clearly Marked as Shown
- All raw materials must comply with RoHS

Model No. Explanation
ADF N XX T XX 04

MATERIAL:
04: ROHS COMPLIANT

PACKAGING:
TU: TUBE
TR: TAPE REEL

TERMINALS:
T: THROUGH HOLE

POSITIONS:
SEE TABLE

MODEL TYPE:
N: NEXT GEN DIP SWITCH

TYPE:
ADF (FLUSH TYPE ACTUATOR, AUTO INSERTABLE THROUGH HOLE DIP SWITCH)

5	COVER	-	PA9T	UL94V-0
4	CONTACT	-	BERYLLIUM COPPER	PLATE : GOLD FLASH/NICKEL
3	ACTUATOR	-	PA46	UL94V-0
2	TERMINAL	-	PHOSPHOR BRONZE	PLATE : GOLD FLASH/NICKEL
1	T/CASE	-	PA9T	UL94V-0
NO.	PART NAME	PART(CODE) NO	MATERIAL	NOTE

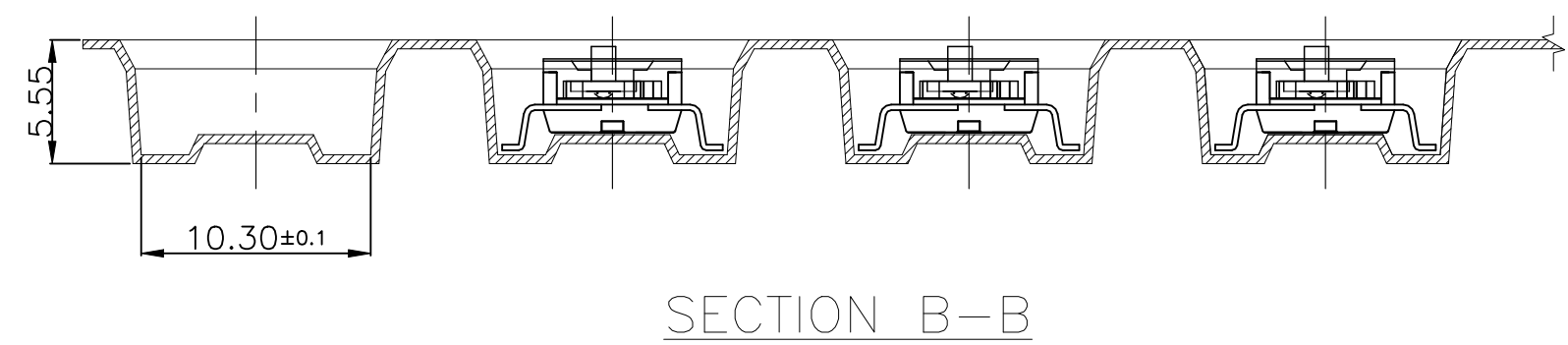
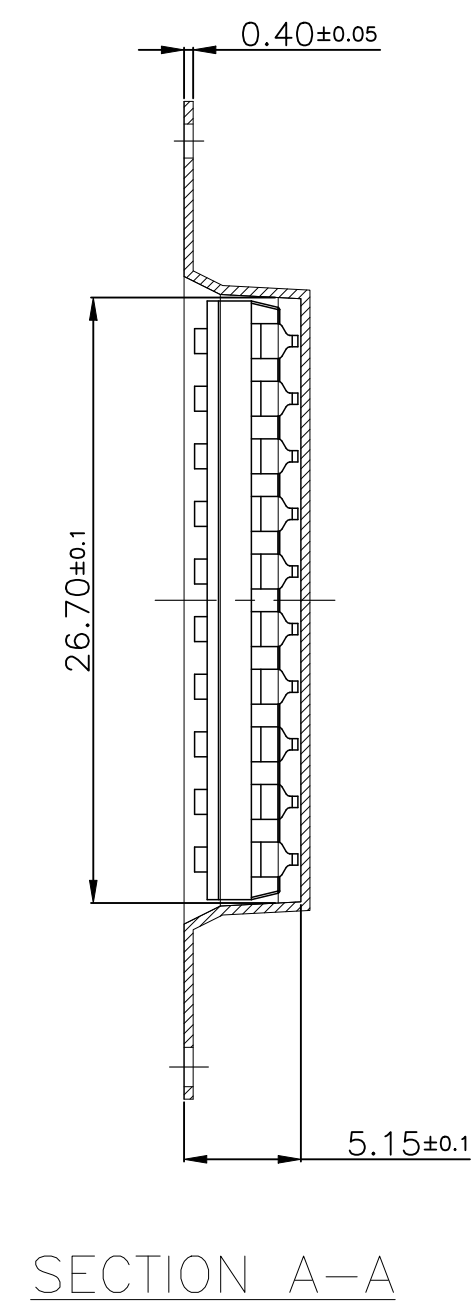
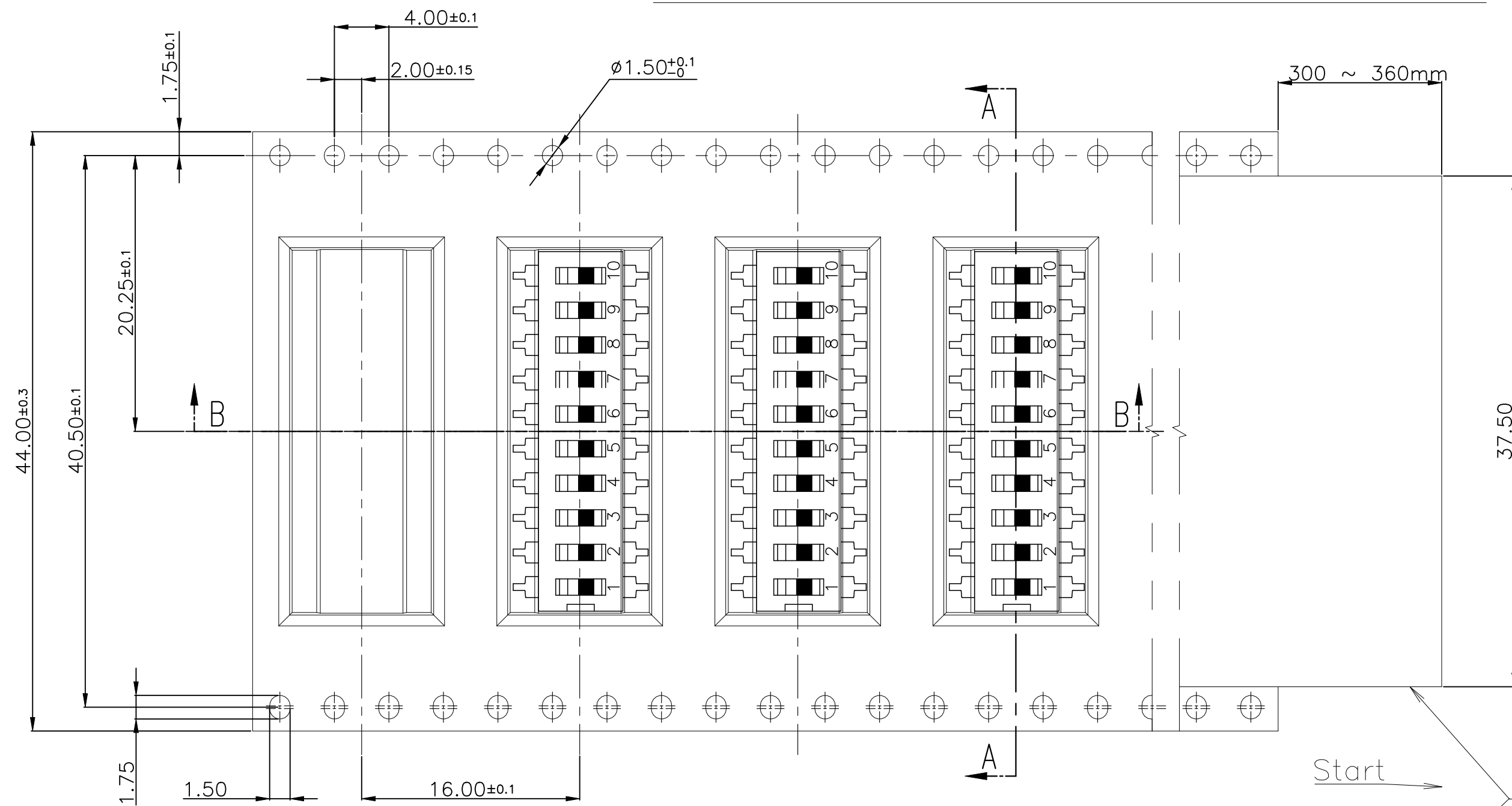
AUTOMOTIVE STANDARD MANAGEMENT TOLERANCE

DIMENSION	0 to 3	3 to 6	6 to 30	30to120	120to400	Angular tolerance unless otherwise specified : ±2'
TORERANCE	±0.15	±0.2	±0.25	±0.3	±0.5	

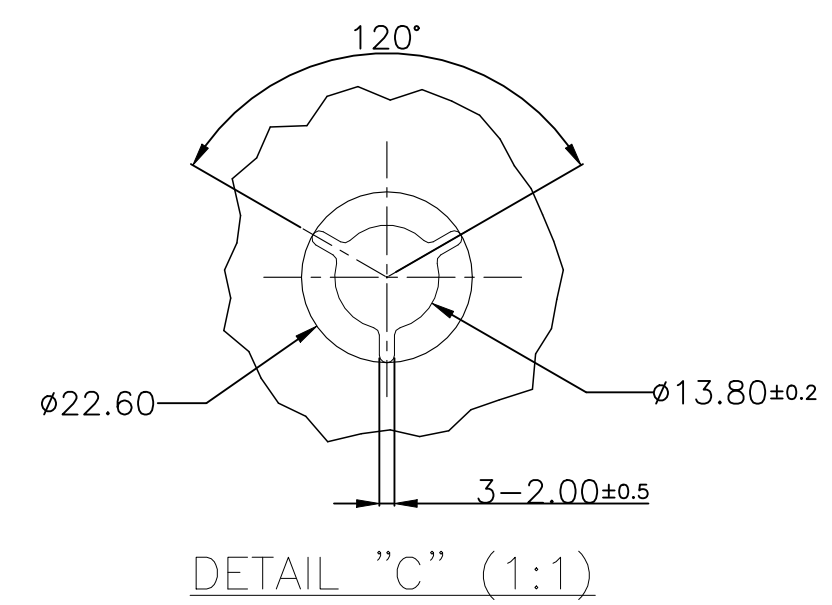
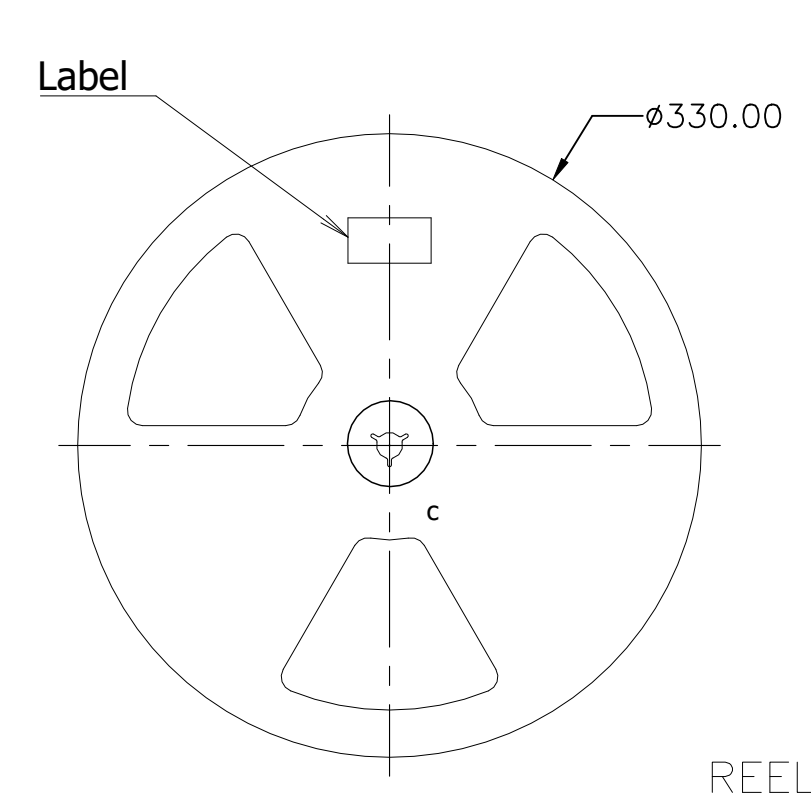
1	ADF NEXT GEN 04 POS. THT TU	4P	11.16	7.62	ADFN04TTU04	2461924-1
SL NO.	DESCRIPTION	POSITION	DIM "L" (mm)	DIM "P" (mm)	TE SMART PN	TE PN
THIS DRAWING IS A CONTROLLED DOCUMENT.						
DIMENSIONS: mm		TOLERANCES UNLESS OTHERWISE SPECIFIED:		DWN 19MAY2023 LINGANATHAN P		
0 PLC ± -		1 PLC ± -		CHK 19MAY2023 MANOJ. YADAV		
2 PLC ± -		2 PLC ± -		APVD 19MAY2023 MANOJ. YADAV		
3 PLC ± -		3 PLC ± -		NAME		
4 PLC ± -		4 PLC ± -		PRODUCT SPEC		
ANGLES ± -		FINISH		APPLICATION SPEC		
MATERIAL		WEIGHT		SIZE CAGE CODE DRAWING NO RESTRICTED TO		
-		-		A2 00779 C=2461924		
CUSTOMER DRAWING				SCALE 1:1		SHEET 1 OF 2 REV 1

TAPE & REEL PACKAGING DETAILS

REVISIONS					
P	LTR	DESCRIPTION	DATE	DWN	APVD
-	-	SEE SHEET 1	-	-	-



Packing Specification		
Non-Pocket Portion	Trailer Portion	200mm [20 pocket min]
	Leader Portion	20 pocket min
S/W Packing Q'TY		800 pcs



THIS DRAWING IS A CONTROLLED DOCUMENT.		DWN 19MAY2023 LINGANATHAN P		
DIMENSIONS: mm		CHK 19MAY2023 MANOJ. YADAV		
TOLERANCES UNLESS OTHERWISE SPECIFIED:		APVD 19MAY2023 MANOJ. YADAV	NAME ADF NEXT GEN 04 POS. THT TU	
<ul style="list-style-type: none"> 0 PLC ± - 1 PLC ± - 2 PLC ± - 3 PLC ± - 4 PLC ± - ANGLES ± - 		PRODUCT SPEC	SIZE A2	
MATERIAL		APPLICATION SPEC	CAGE CODE 00779	DRAWING NO C=2461924
FINISH		WEIGHT	RESTRICTED TO	
		CUSTOMER DRAWING	SCALE 1:1	SHEET 2 OF 2
			REV 1	