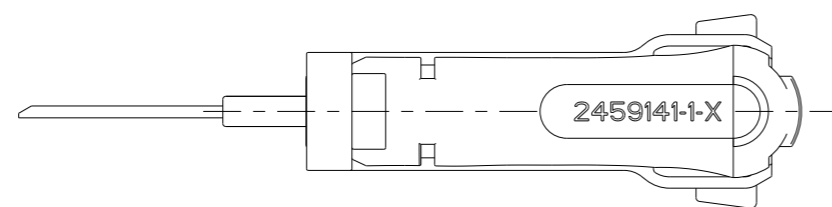
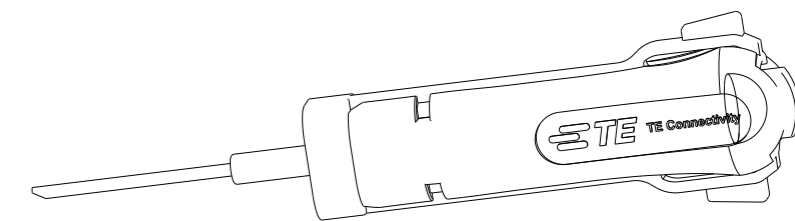
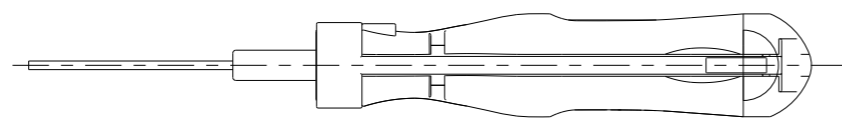
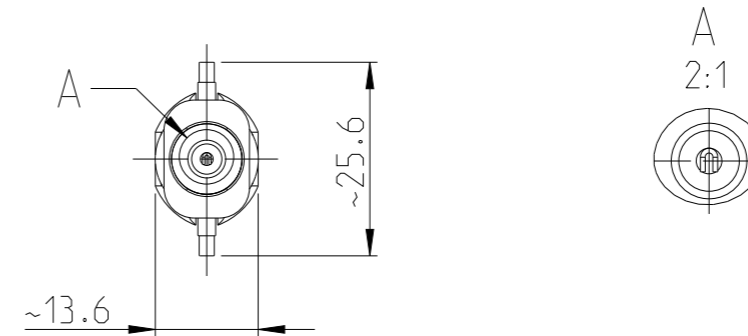
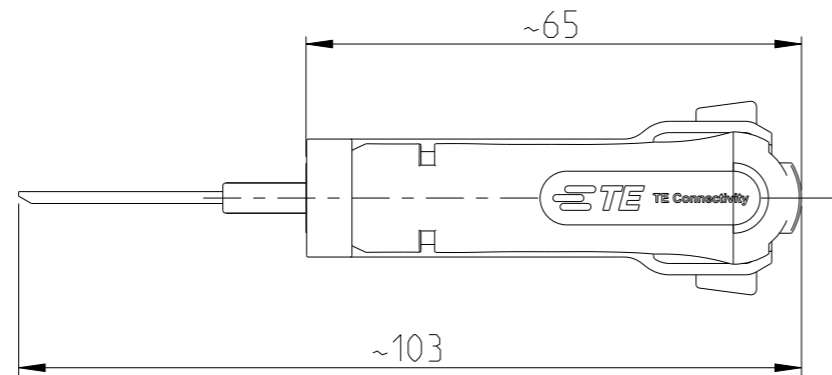


© 2023 TE Connectivity. All Rights Reserved.

PART NUMBER	REV	FIRST USED
2459141-1	A	-


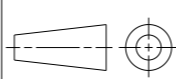
REVISIONS					
P	LTR	DESCRIPTION	DATE	DWN	APVD
	A	Initial Release	25APR2023	BM	CH



APPLICATION RANGE:

HOUSING: 87131, 87132, 87133

CONTACT: 87124, 87165, 87190, 87191, 867052, 2267356

THIS DRAWING IS A CONTROLLED DOCUMENT.		DWN B.Muth	21APR2023	 TE Connectivity	
DIMENSIONS: mm		CHK B.Muth	21APR2023		
		APVD C.Hoskote	21APR2023		
TOLERANCES UNLESS OTHERWISE SPECIFIED:		PRODUCT SPEC		NAME EXTRACTION TOOL	
0 PLC ±-		-		-	
1 PLC ±-		-		-	
2 PLC ±-		-		-	
3 PLC ±-		-		-	
4 PLC ±-		-		-	
ANGLES ±		-		-	
MATERIAL		FINISH		RESTRICTED TO	
-		-		-	
-		-		-	
		WEIGHT 0.017 kg		SIZE A3	CAGE CODE 00779
		CUSTOMER DRAWING		DRAWING NO C-2459141	
		SCALE 1:1		SHEET 1 OF 1	REV A