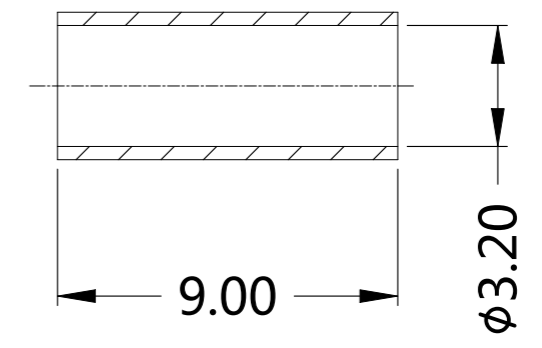
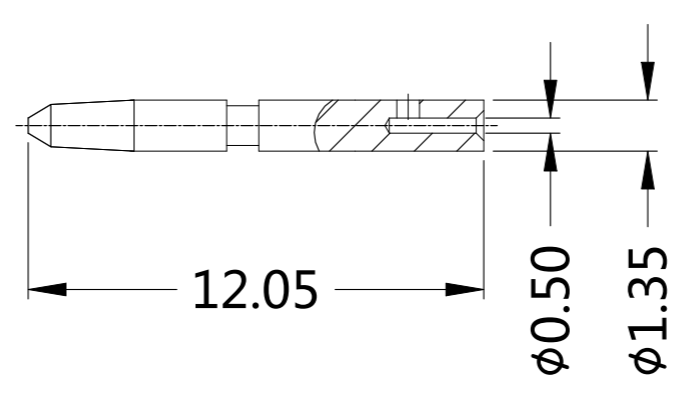
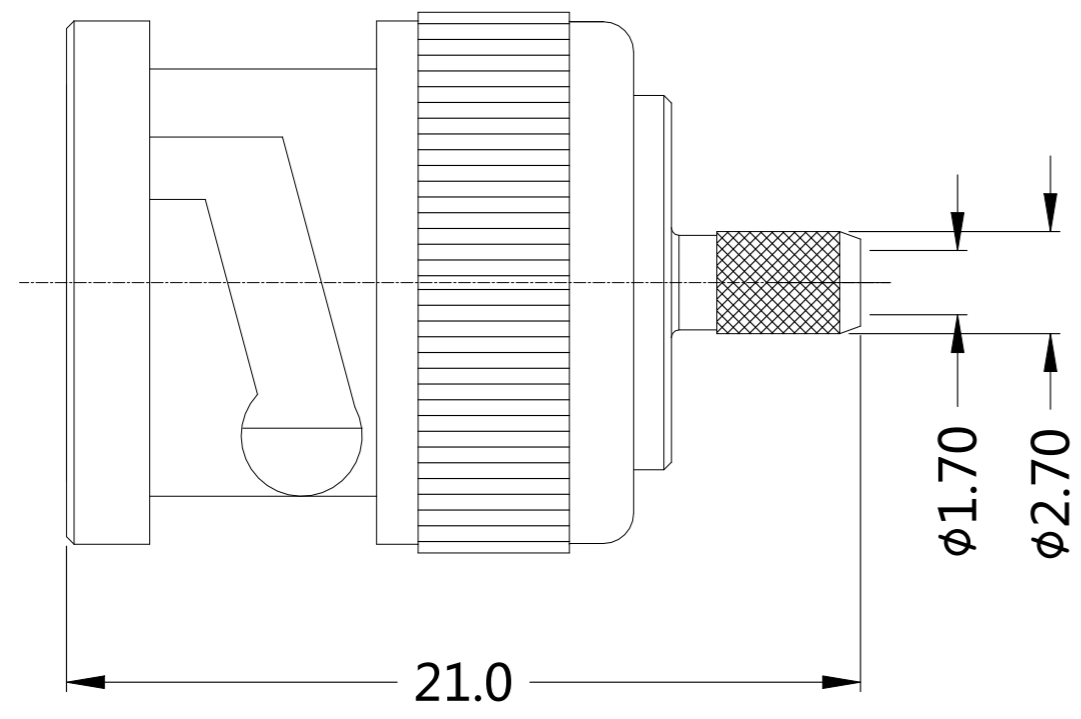


REVISIONS					
P	LTR	DESCRIPTION	DATE	DWN	APVD
	A	REVISED PER ECN-22-170926	24AUG2022	RZ	WK



QTY	DESCRIPTION	MATERIAL	ITEM
1	-	SILICONE RUBBER	GASKET
1	Ni100u"	BRASS	FERRULE
1	Ni100u"	BRASS	COLLAR
1	Ni100u"	BRASS	BODY
1	-	PTFE	INSULATION
1	Au3u"/Ni100u"	BRASS	CENTER CONTACT
-1	PLATING	MATERIAL	DESCRIPTION
QUANTITY PER ASSY		PARTS LIST	

THIS DRAWING IS A CONTROLLED DOCUMENT.		DWN RANDY Z 13JUN2022	STE TE Connectivity	
		CHK ERIC D 13JUN2022		
DIMENSIONS: mm		TOLERANCES UNLESS OTHERWISE SPECIFIED:		NAME BNC PLUG ST FOR CABLE RG179
		0 PLC ± - 1 PLC ± 0.3 2 PLC ± 0.2 3 PLC ± 0.15 4 PLC ± - ANGLES ± 5°		
MATERIAL -		FINISH -		PRODUCT SPEC -
		APPLICATION SPEC -		SIZE A3
		WEIGHT 0		CAGE CODE 00779
		CUSTOMER DRAWING		DRAWING NO C-2455006
		SCALE 1:1		RESTRICTED TO -
		SHEET 1 OF 1		REV A