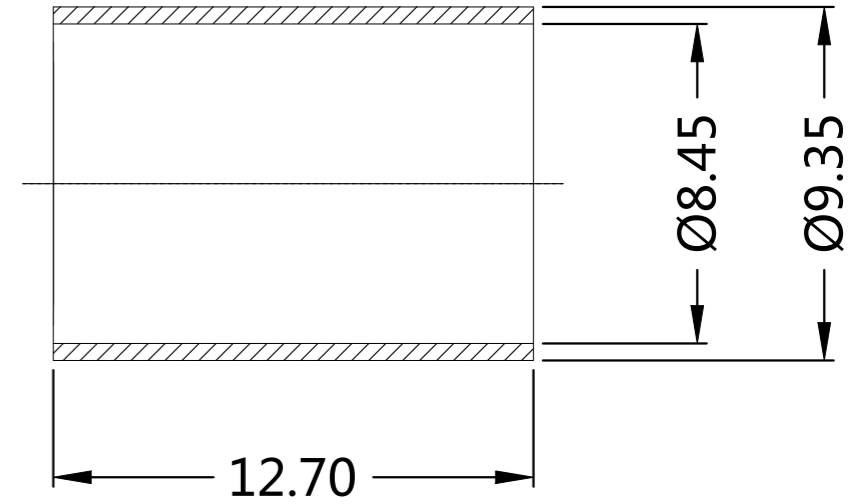
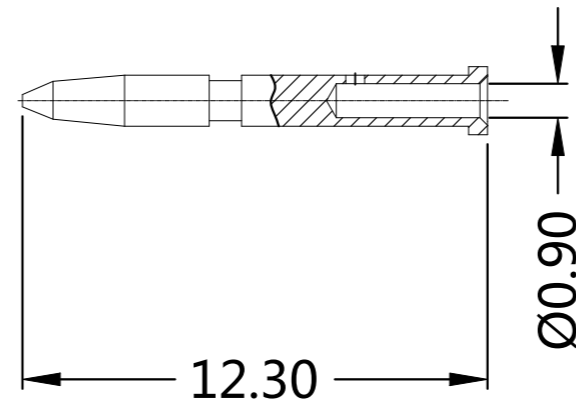
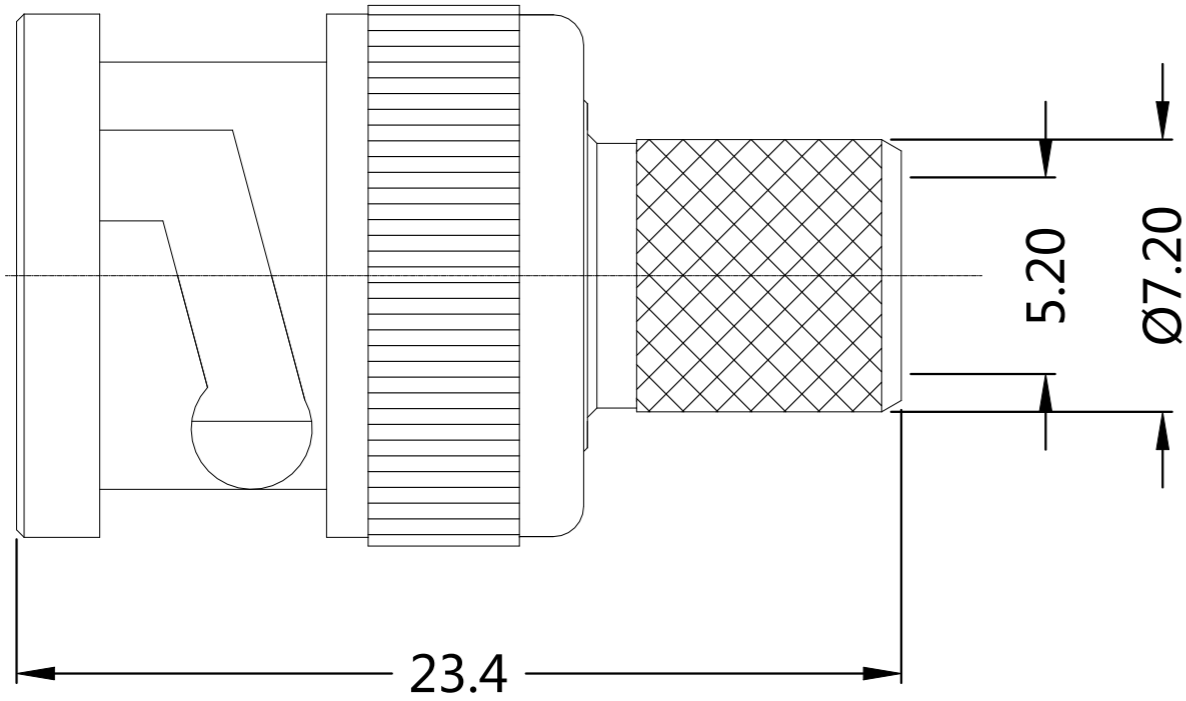


REVISIONS

P	LTR	DESCRIPTION	DATE	DWN	APVD
	A	REVISED PER ECN-22-170926	24AUG2022	RZ	WK



QTY	DESCRIPTION	MATERIAL	ITEM
1	-	SILICONE RUBBER	GASKET
1	Ni100u"	BRASS	FERRULE
1	Ni100u"	BRASS	COLLAR
1	Ni100u"	BRASS	BODY
1	-	PTFE	INSULATION
1	Au3u"/Ni100u"	BRASS	CENTER CONTACT
-1	PLATING	MATERIAL	DESCRIPTION

QUANTITY PER ASSY PARTS LIST

THIS DRAWING IS A CONTROLLED DOCUMENT.

DWN RANDY Z 13JUN2022

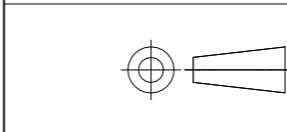
CHK ERIC D 13JUN2022

APVD WENKE H 13JUN2022



DIMENSIONS: mm

TOLERANCES UNLESS OTHERWISE SPECIFIED:



0 PLC	± -
1 PLC	± 0.30
2 PLC	± 0.20
3 PLC	± 0.15
4 PLC	± -
ANGLES	± 5°

MATERIAL -

FINISH -

PRODUCT SPEC -

APPLICATION SPEC -

WEIGHT 0

NAME BNC PLUG ST FOR CABLE BELDEN 8218 750HM

SIZE CAGE CODE DRAWING NO RESTRICTED TO

A3 00779 C-2455005

CUSTOMER DRAWING

SCALE 1:1 SHEET 1 OF 1 REV A