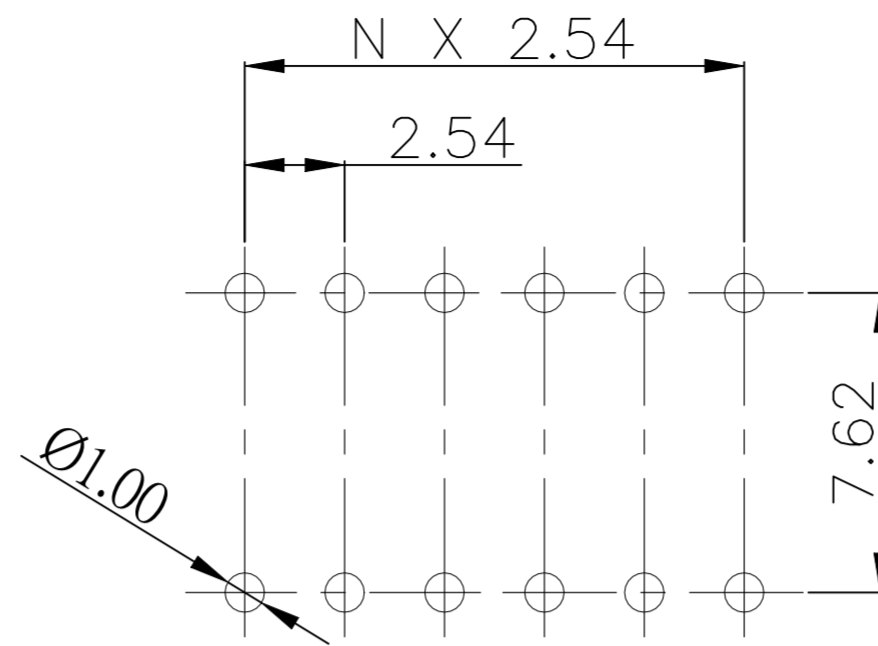
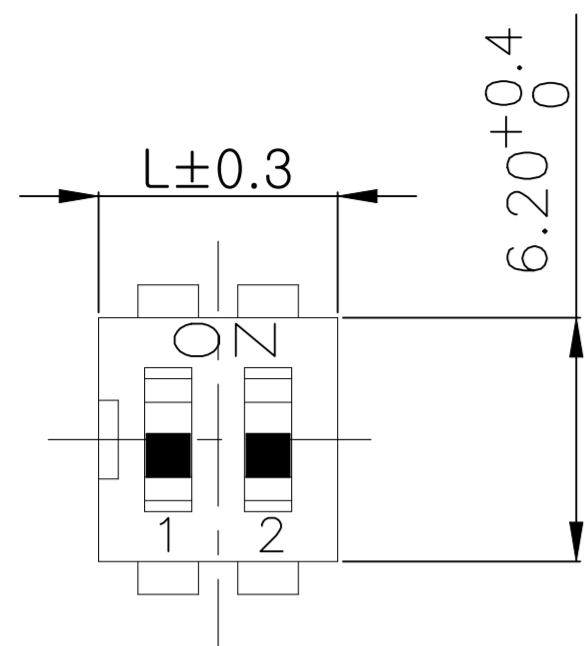


REVISIONS

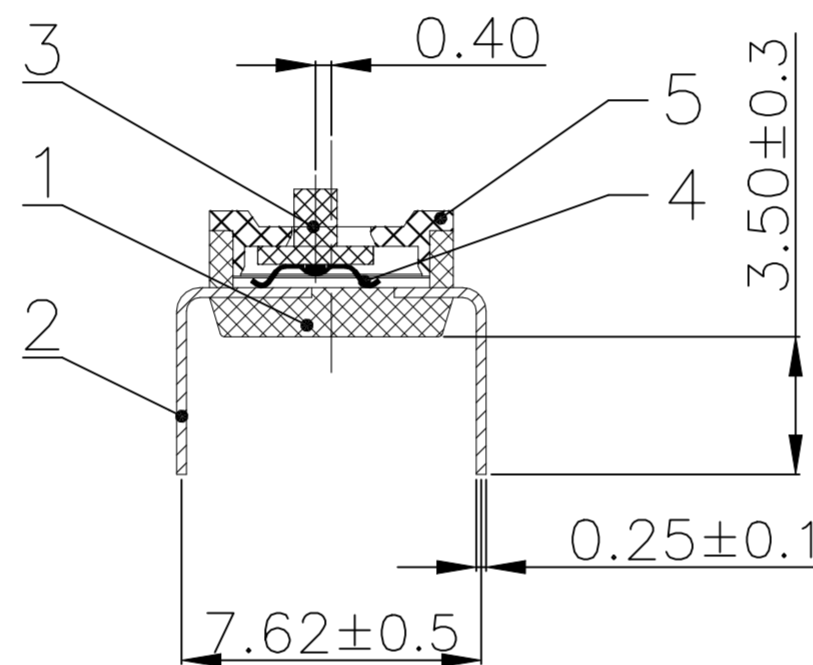
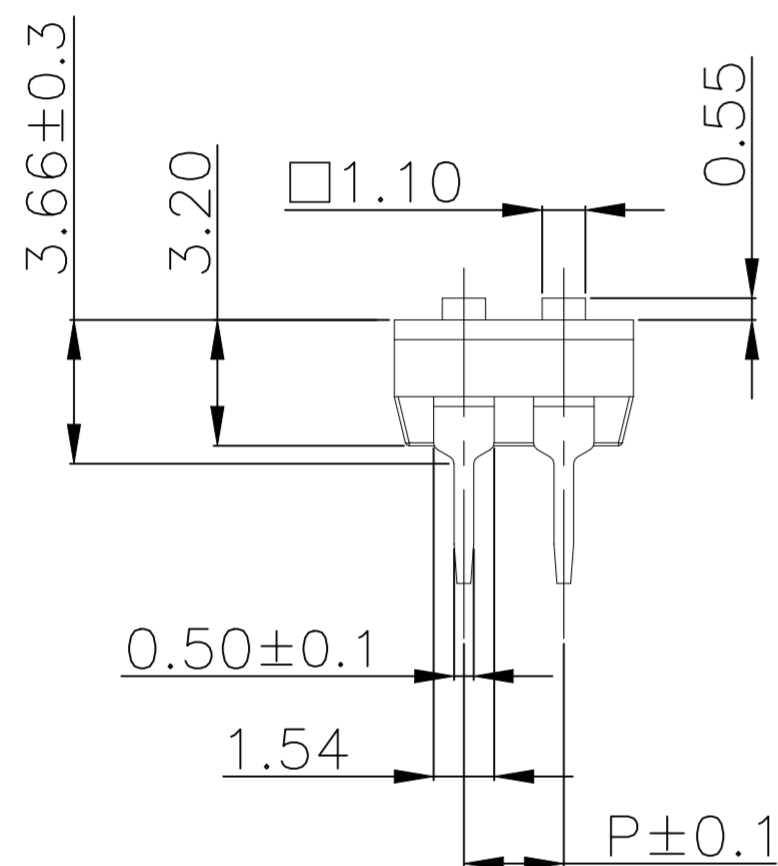
P	LTR	DESCRIPTION	DATE	DWN	APVD
1		NEW DRAWING	06JUN2023	LP	MY

SPECIFICATION

- Rating :
 - Switching : 25mA,24VDC
 - Non-Switching : 100mA,50VDC
- Contact Resistance :
 - Initial 50mΩ Max
 - After Life Test 150mΩ Max
- Insulation Resistance : 100MΩ Min/500 VDC
- Withstand Voltage: 500VAC for 1 minute
- Operating Force : 1Kgf Max
- Stroke : 0.9mm
- Mechanical Life : 1,000 Cycles
- Electrical Life : Min 1,000 Cycles/25mA,24VDC
- Operating Temperature guarantee range : -40°C~+85°C
- Storage Temperature : -40°C~+85°C
- Soldering Information :
 - Wave Soldering : 250±10°C, 5sec Max
 - Manual Soldering : 30W iron, 320±5°C, 3sec Max
 - Keep in "OFF" Position During Soldering



P.C.B HOLE DIMENSION



NOTE

- Switches to be Received In The "OFF" Position and Packaged In Clear Tubes to Accommodate Auto Insertion
- Top Surface to be Clearly Marked as Shown
- All raw materials must comply with RoHS

AUTOMOTIVE STANDARD MANAGEMENT TOLERANCE

DIMENSION	0 to 3	3 to 6	6 to 30	30to120	120to400	Angular tolerance unless otherwise specified : ±2°
TORERANCE	±0.15	±0.2	±0.25	±0.3	±0.5	

Model No. Explanation
ADE N XX T XX 04

- MATERIAL:
04: ROHS COMPLIANT
- PACKAGING:
TU: TUBE
TR: TAPE REEL
- TERMINALS:
T: THROUGH HOLE
- POSITIONS:
SEE TABLE
- MODEL TYPE:
N: NEXT GEN DIP SWITCH
- TYPE:
ADE (EXTENDED ACTUATOR, AUTO INSERTABLE THROUGH HOLE DIP SWITCH)

NO.	PART NAME	PART(CODE) NO	MATERIAL	NOTE
5	COVER	-	PA9T	UL94V-0
4	CONTACT	-	BERYLLIUM COPPER	PLATE : GOLD FLASH/NICKEL
3	ACTUATOR	-	PA46	UL94V-0
2	TERMINAL	-	PHOSPHOR BRONZE	PLATE : GOLD FLASH/NICKEL
1	T/CASE	-	PA9T	UL94V-0

SL NO.	DESCRIPTION	POSITION	DIM "L" (mm)	DIM "P" (mm)	TE SMART PN	TE PN
5	ADE NEXT GEN 10 POS. THT TU	10P	26.40	22.86	ADEN10TTU04	2454982-5
4	ADE NEXT GEN. 06 POS. THT TU	6P	16.24	12.70	ADEN06TTU04	2454982-4
3	ADE NEXT GEN 04 POS. THT TU	4P	11.16	7.62	ADEN04TTU04	2454982-3
2	ADE NEXT GEN 03 POS. THT TU	3P	8.62	5.08	ADEN03TTU04	2454982-2
1	ADE NEXT GEN 02 POS. THT TU	2P	6.08	2.54	ADEN02TTU04	2454982-1

THIS DRAWING IS A CONTROLLED DOCUMENT.

DWN: LINGANATHAN P 24MAY2023
CHK: MANOJ. YADAV 24MAY2023
APVD: MANOJ. YADAV 24MAY2023

TE Connectivity

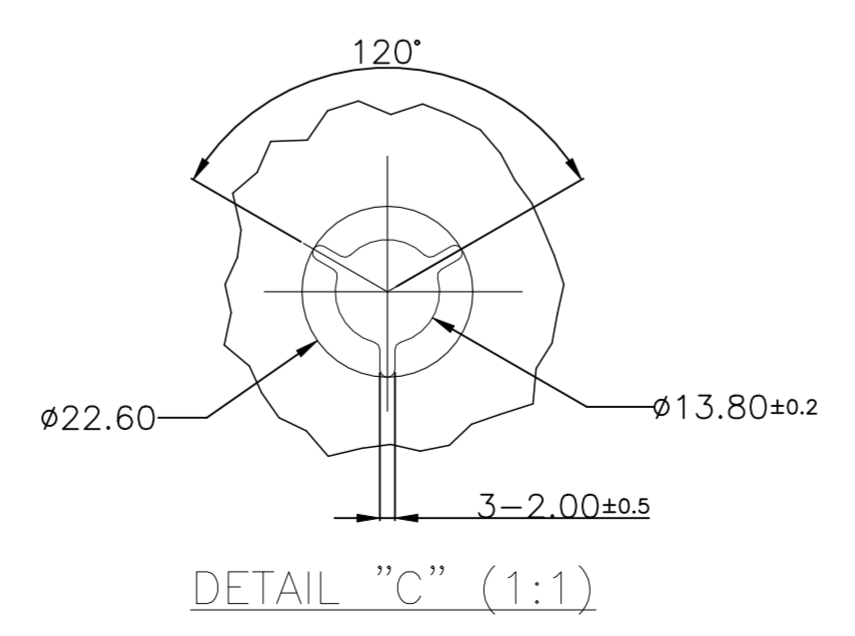
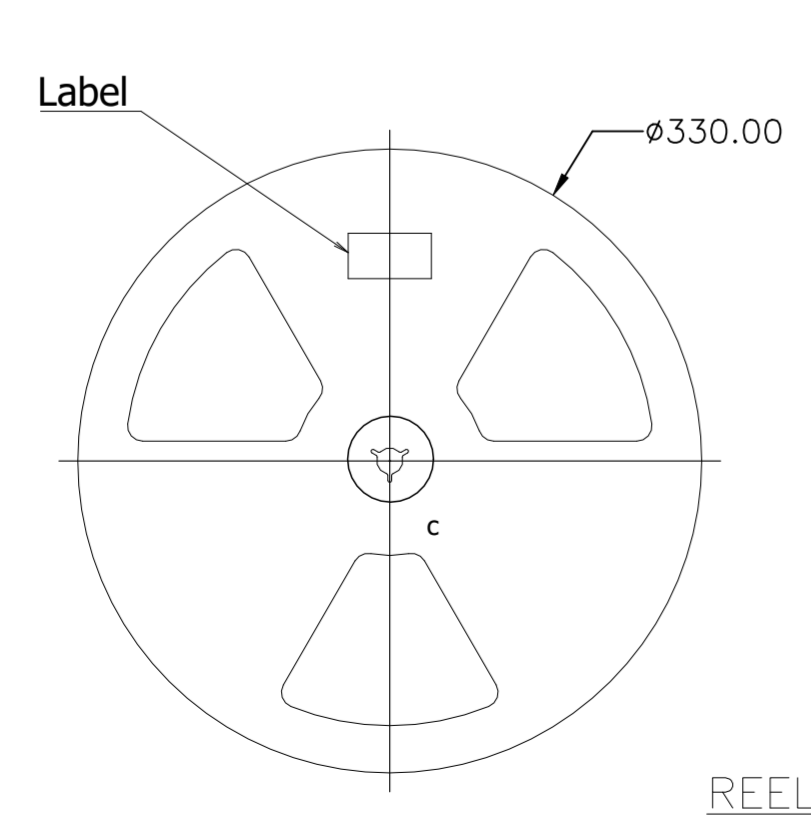
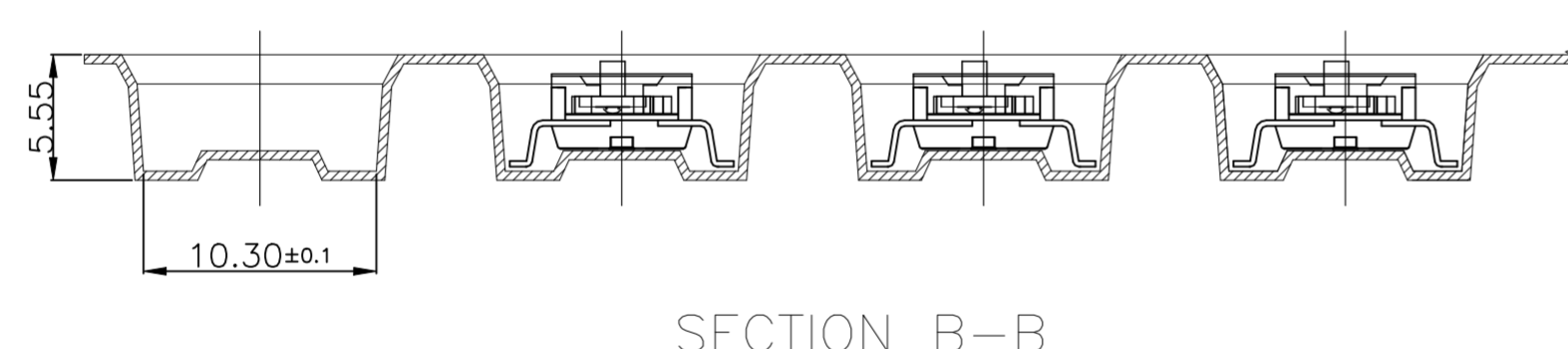
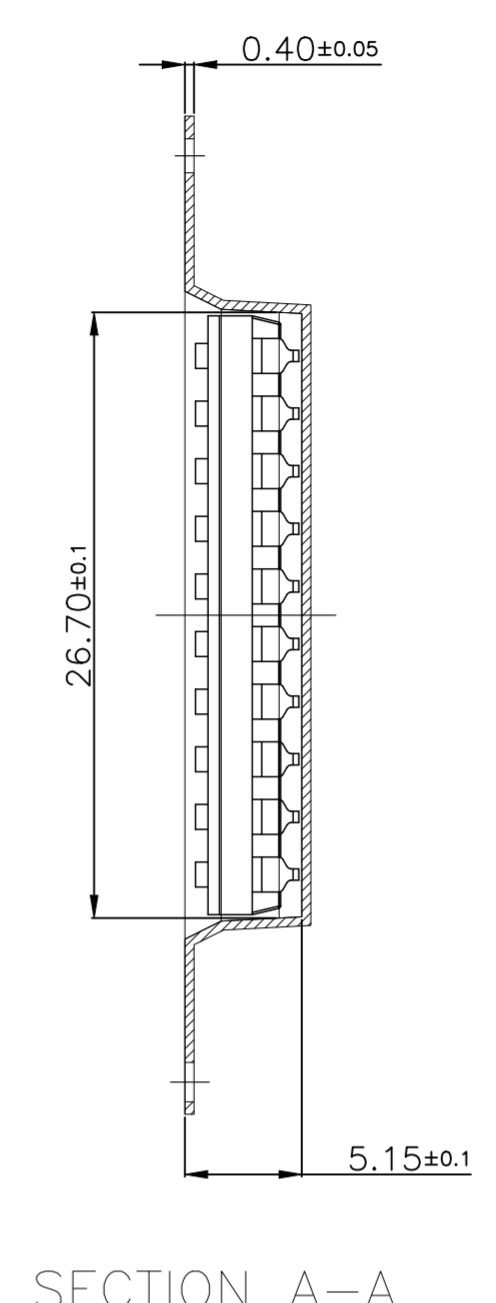
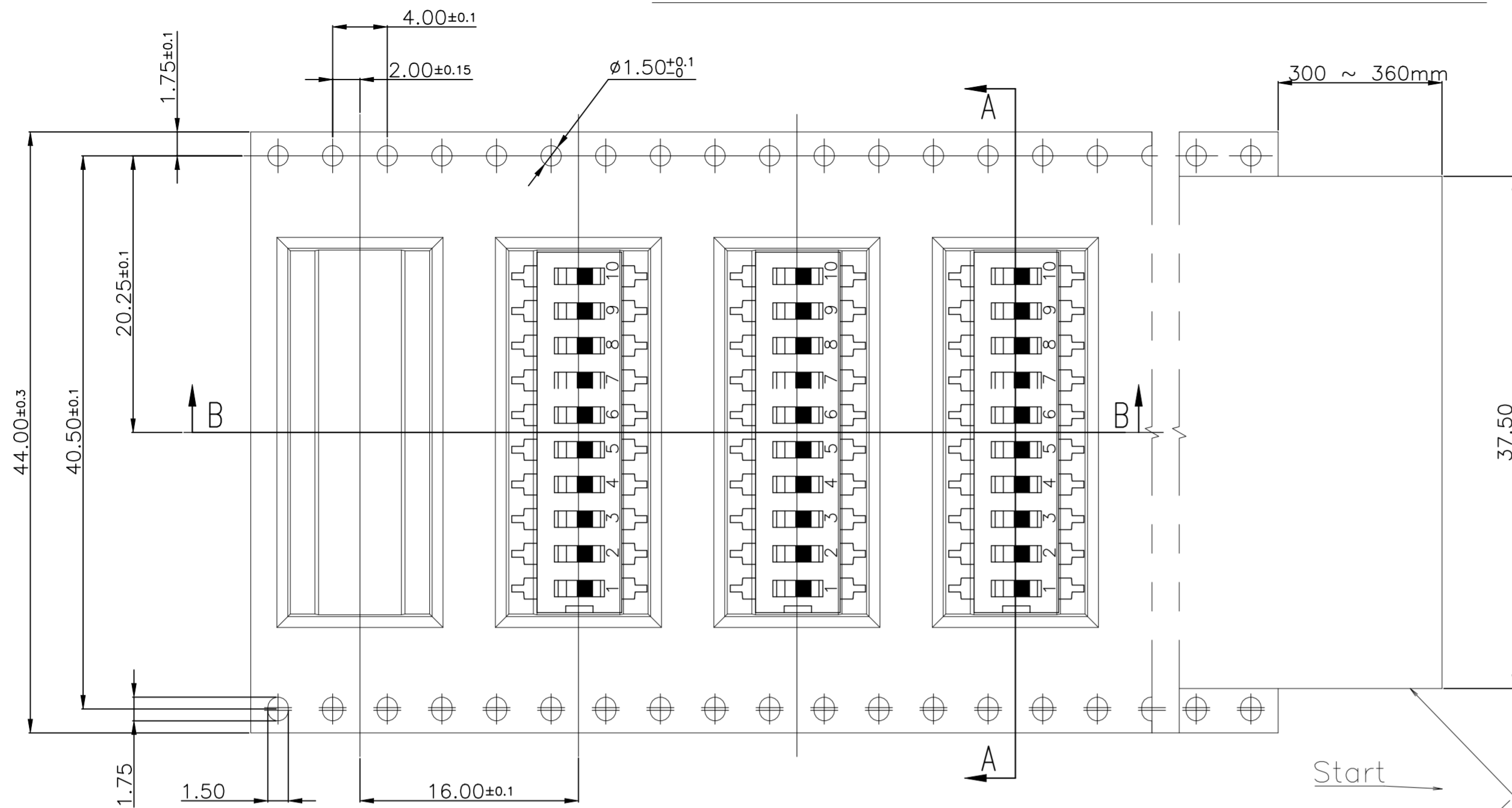
NAME: ADE NEXT GEN 02 POS. THT TU

SIZE: A2 CAGE CODE: 00779 DRAWING NO: C=2454982 RESTRICTED TO: -

SCALE: 1:1 SHEET: 1 of 2 REV: 1

TAPE & REEL PACKAGING DETAILS

REVISIONS					
P	LTR	DESCRIPTION	DATE	DWN	APVD
-	-	SEE SHEET 1	-	-	-



Packing Specification		
Non-Pocket Portion	Trailer Portion	200mm [20 pocket min]
	Leader Portion	20 pocket min
S/W Packing Q'TY		800 pcs

THIS DRAWING IS A CONTROLLED DOCUMENT.		DWN LINGANATHAN P 24MAY2023	TE TE Connectivity	
DIMENSIONS: mm		CHK MANOJ. YADAV 24MAY2023		
TOLERANCES UNLESS OTHERWISE SPECIFIED:		APVD MANOJ. YADAV 24MAY2023	NAME ADE NEXT GEN 02 POS. THT TU	
0 PLC ± -		PRODUCT SPEC -	APPLICATION SPEC -	
1 PLC ± -		WEIGHT -	SIZE A2	CAGE CODE 00779
2 PLC ± -		CUSTOMER DRAWING	DRAWING NO C=2454982	RESTRICTED TO -
3 PLC ± -		SCALE 1:1	SHEET 2 OF 2	REV 1
4 PLC ± -				
ANGLES ± -				
FINISH -				