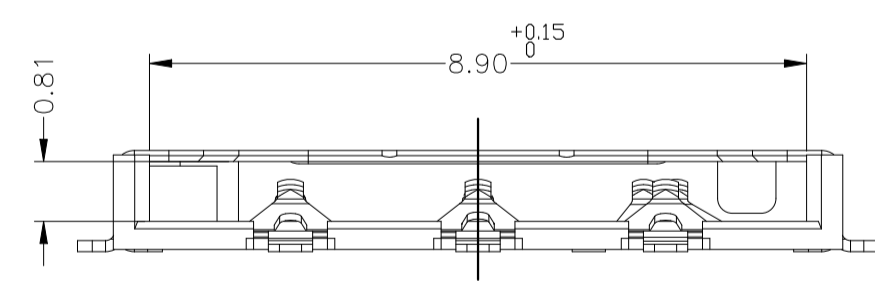
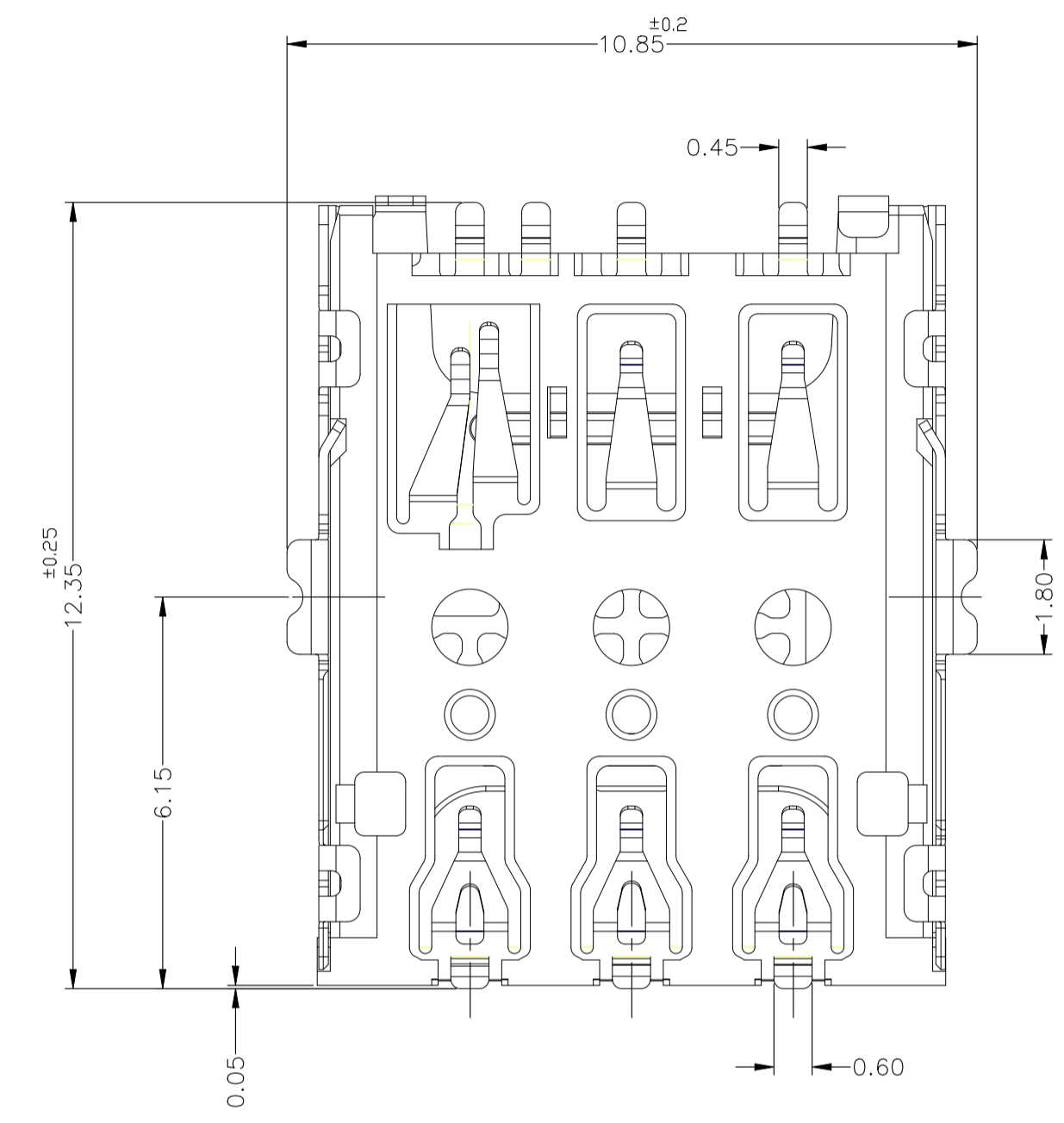
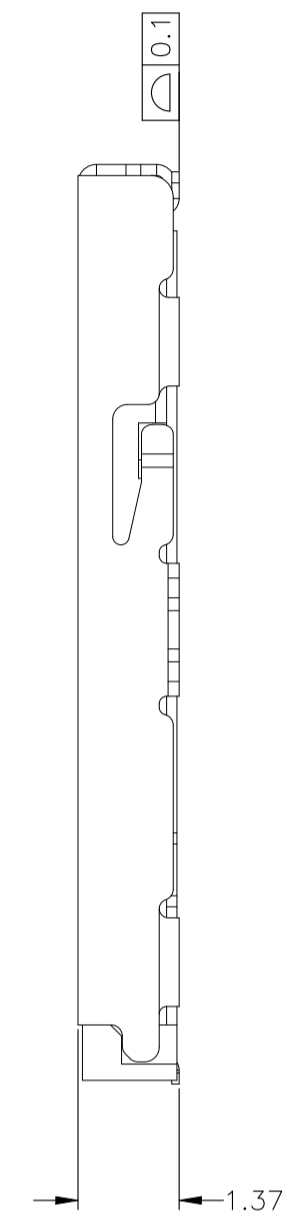
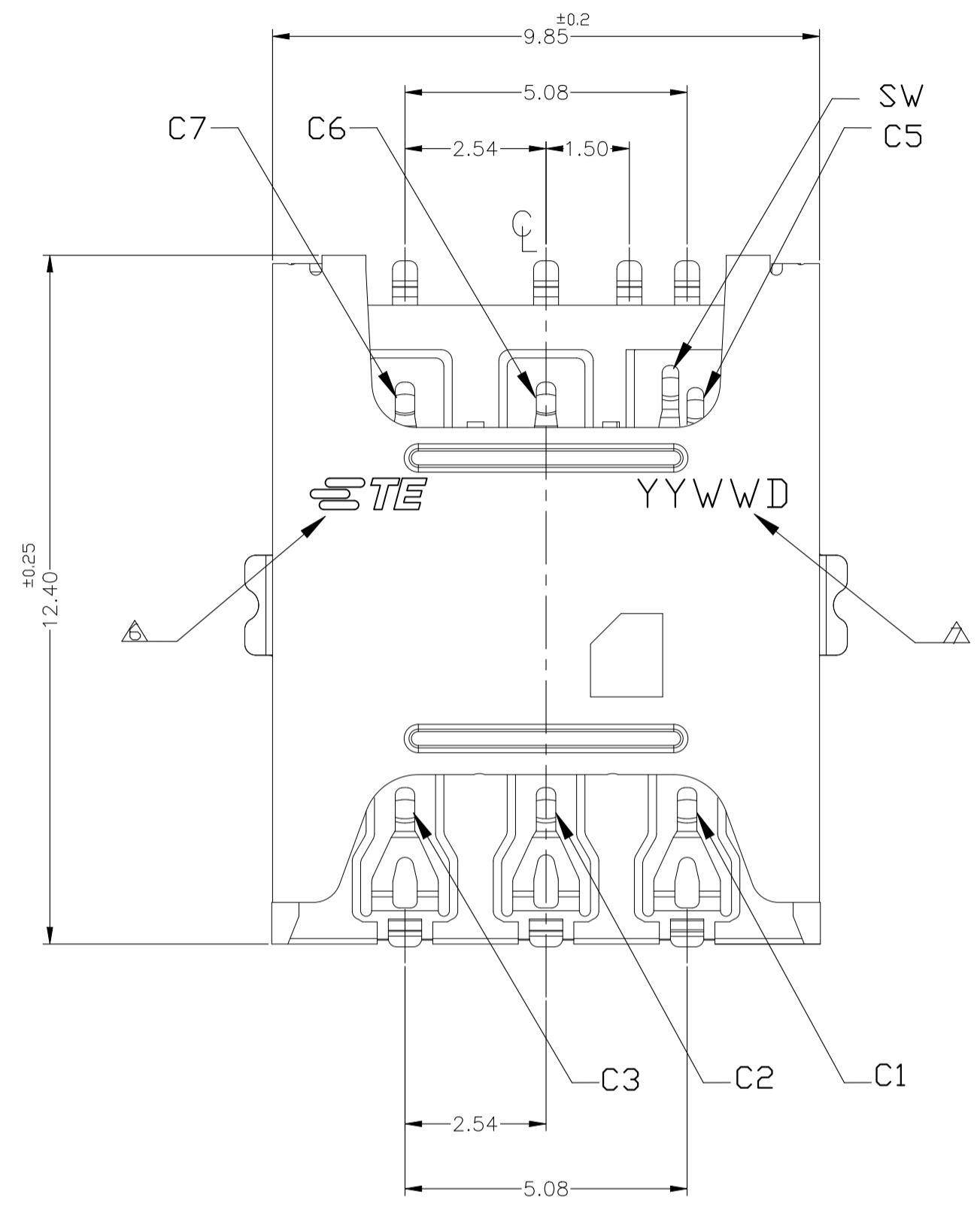


REVISIONS				
P	LTR	DESCRIPTION	DATE	APVD
C		REVISED	22AUG2023	T.W H.T

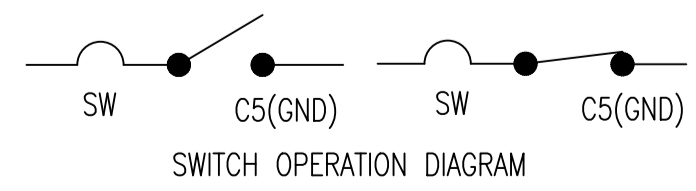


1.MATERIAL HOUSING,SLIDER : THERMOPLASTIC RESIN
 UL94V-0, COLOR;BLACK
 CONTACT : COPPER ALLOY
 SHELL : STAINLESS STEEL

△ FINISH CONTACT: Au PL AT CONTACT AREA : 0.076um MIN
 Au PL AT SOLDERING AREA : GOLD FLASH
 SHELL : Au PL AT SOLDERING : GOLD FLASH

- △ NON-CUMULATIVE TOLERANCE
- 4. COPLANARITY IS 0.1MAX.
- △ CIRCUIT DRAWING OF SWITCH.
- △ TE LOGO
- △ DATE CODE : YYWWD

ELECTRIC FUNCTION	DETECT SWITCH
WITHOUT CARD	OPEN
CARD INSERTED	CLOSED

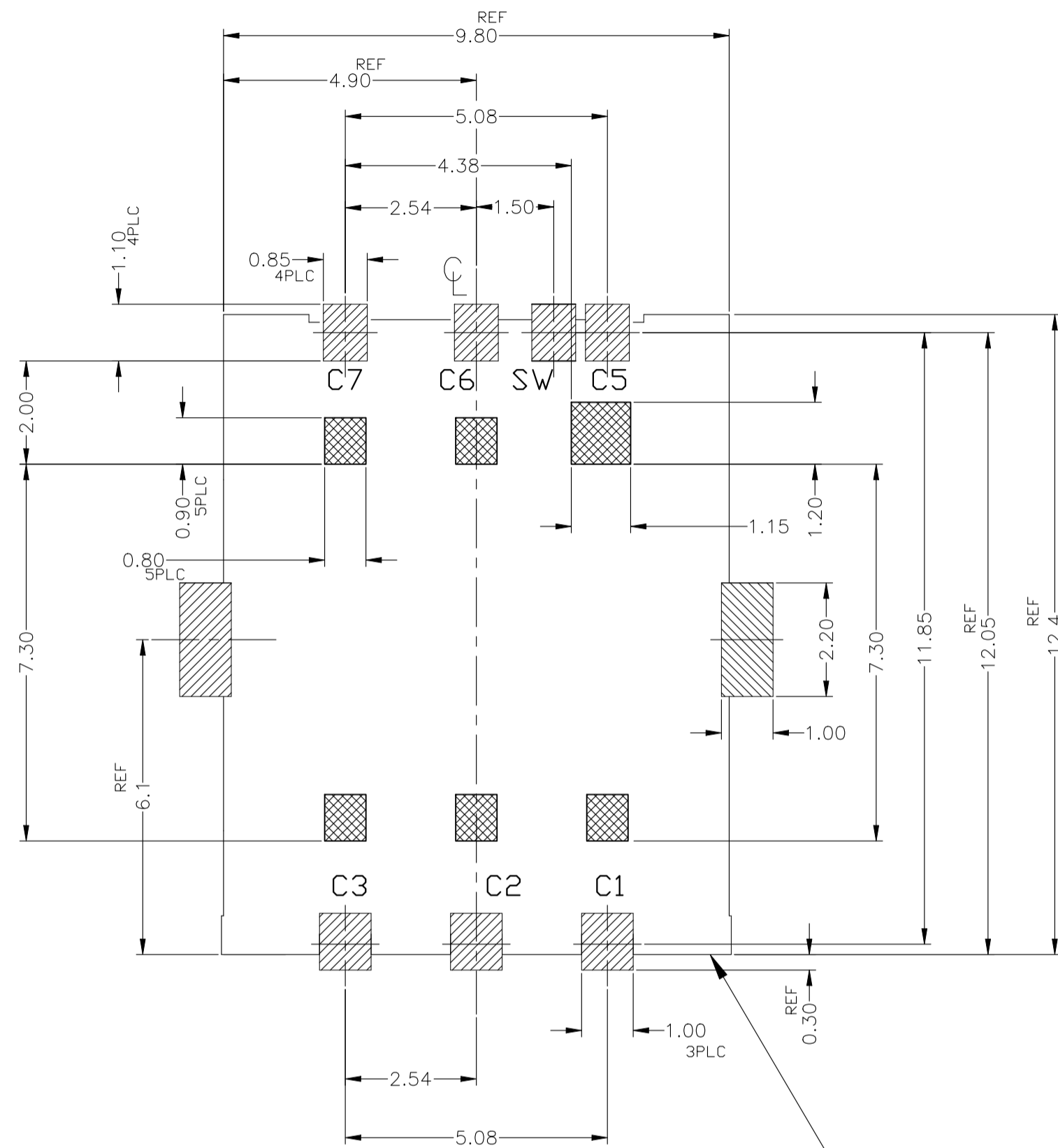


THIS DRAWING IS A CONTROLLED DOCUMENT.

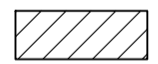
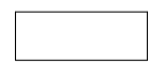

DIMENSIONS: mm	TOLERANCES UNLESS OTHERWISE SPECIFIED: 0-PLC ± 0.15 1-PLC ± 0.25 2-PLC ± 0.15 3-PLC ± 0.1 4-PLC ± 0.1 ANGLES ± 5° FINISH	DWN T.WATANABE 06MAR2023 CHK H.TAMURA 06MAR2023 APVD H.TAMURA 06MAR2023	NAME H.TAMURA
MATERIAL	WEIGHT 0.5	PRODUCT SPEC 108-140328	APPLICATION SPEC
CUSTOMER DRAWING		SIZE A2	CAGE CODE 00779
SCALE 10:1		DRAWING NO. C-2452808	RESTRICTED TO
SHEET 1 OF 4		REV C	

△	2452808-1
FINISH	PART NUMBER

REVISIONS				
P	LTR	DESCRIPTION	DATE	APVD
-	-	SEE SHEET 1	-	-



RECOMMENDED P.C.B LAYOUT
GENERAL TOLERANCE ± 0.05

-  PAD AREA
-  CONNECTOR OUTLINE
-  NO PATTERN AND VIA HOLE IN THIS AREA

THIS DRAWING IS A CONTROLLED DOCUMENT.		DWN	TE Connectivity	
DIMENSIONS: mm		CHK	NAME	
TOLERANCES UNLESS OTHERWISE SPECIFIED:		APVD	NANO SIM CARD CONNECTOR PUSH-PULL	
<ul style="list-style-type: none"> 0-PLC 1-PLC 2-PLC 3-PLC 4-PLC ANGLES FINISH 		PRODUCT SPEC	SIZE	CAGE CODE
MATERIAL		APPLICATION SPEC	A2	00779
		WEIGHT	DRAWING NO. C-2452808	
		CUSTOMER DRAWING	RESTRICTED TO	
		SCALE	SHEET	REV
		10:1	2 of 4	C

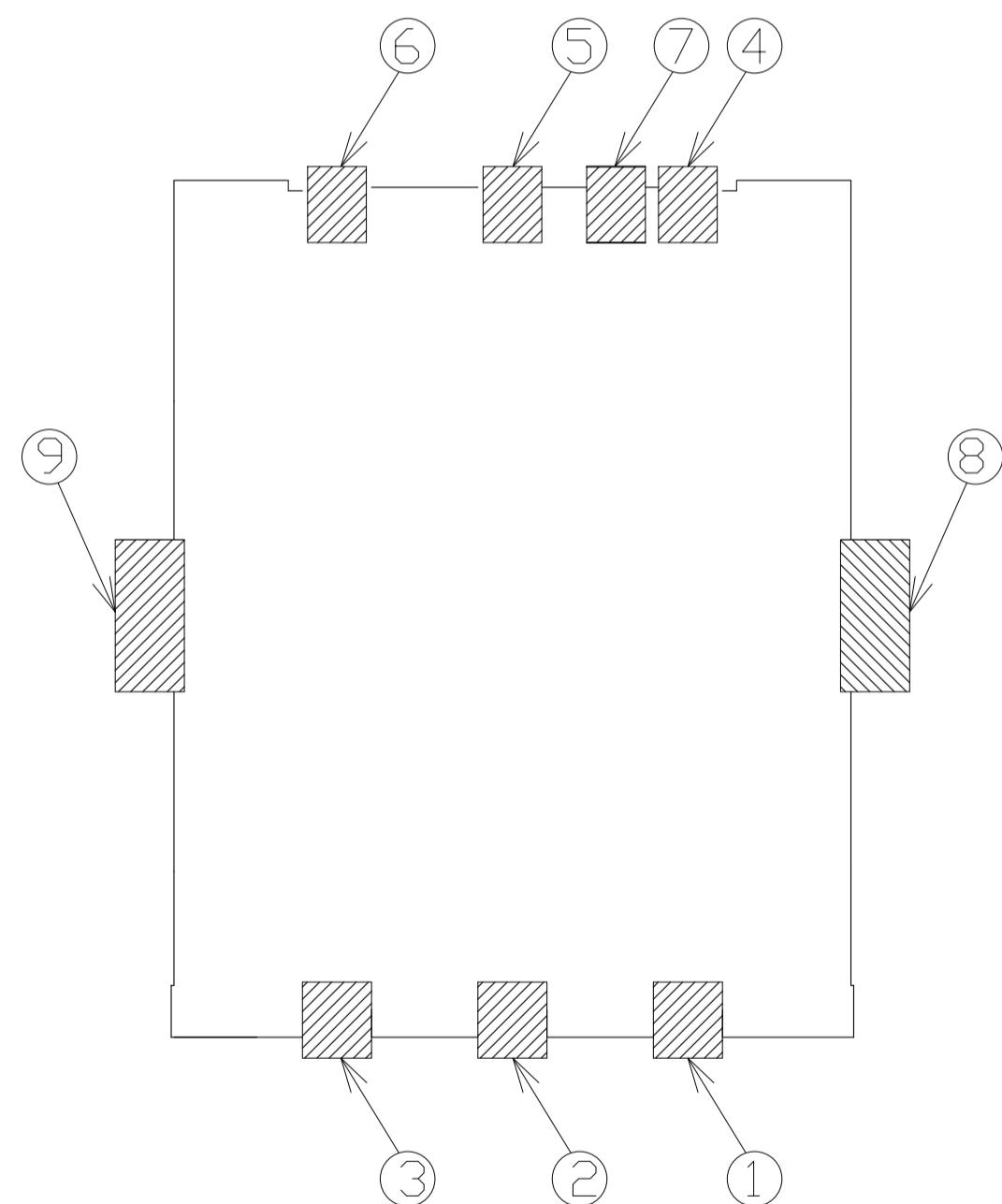
REVISIONS					
P	LTR	DESCRIPTION	DATE	DWN	APVD
-	-	SEE SHEET 1	-	-	-

Connector Pin Assignment

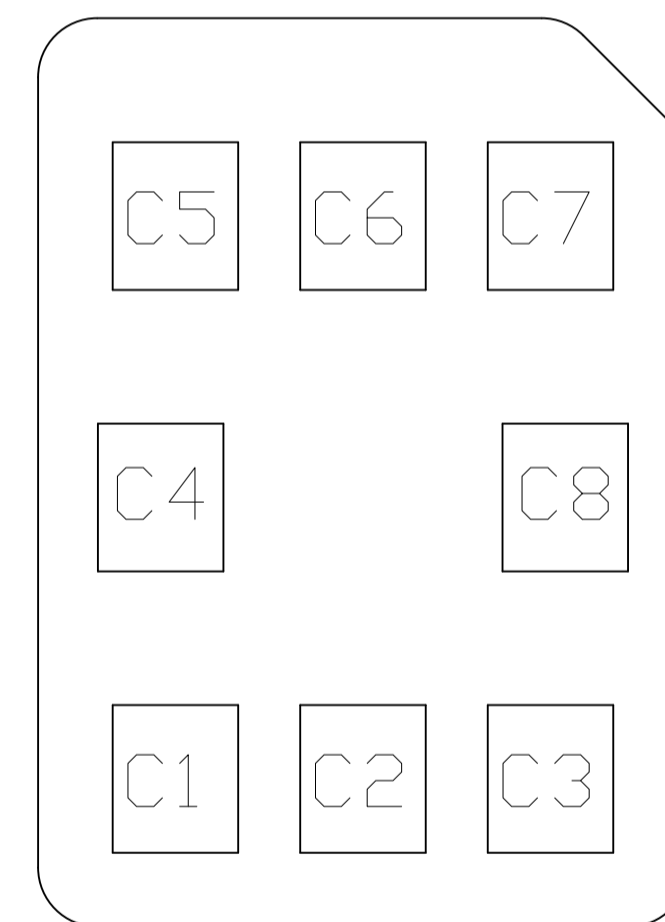
No.	Pin Name	Description
①	C1	Vcc of SIM
②	C2	RST of SIM
③	C3	CLK of SIM
④	C5	GND of SIM
⑤	C6	Vpp of SIM
⑥	C7	I/O of SIM
⑦	SW	DETECTION SWITCH
⑧~⑨	GND	Shell Ground

SIM Card Pin Assignment

Pin No.	Name
C1	Vcc
C2	RST
C3	CLK
C4	N/A
C5	GND
C6	Vpp
C7	I/O
C8	N/A



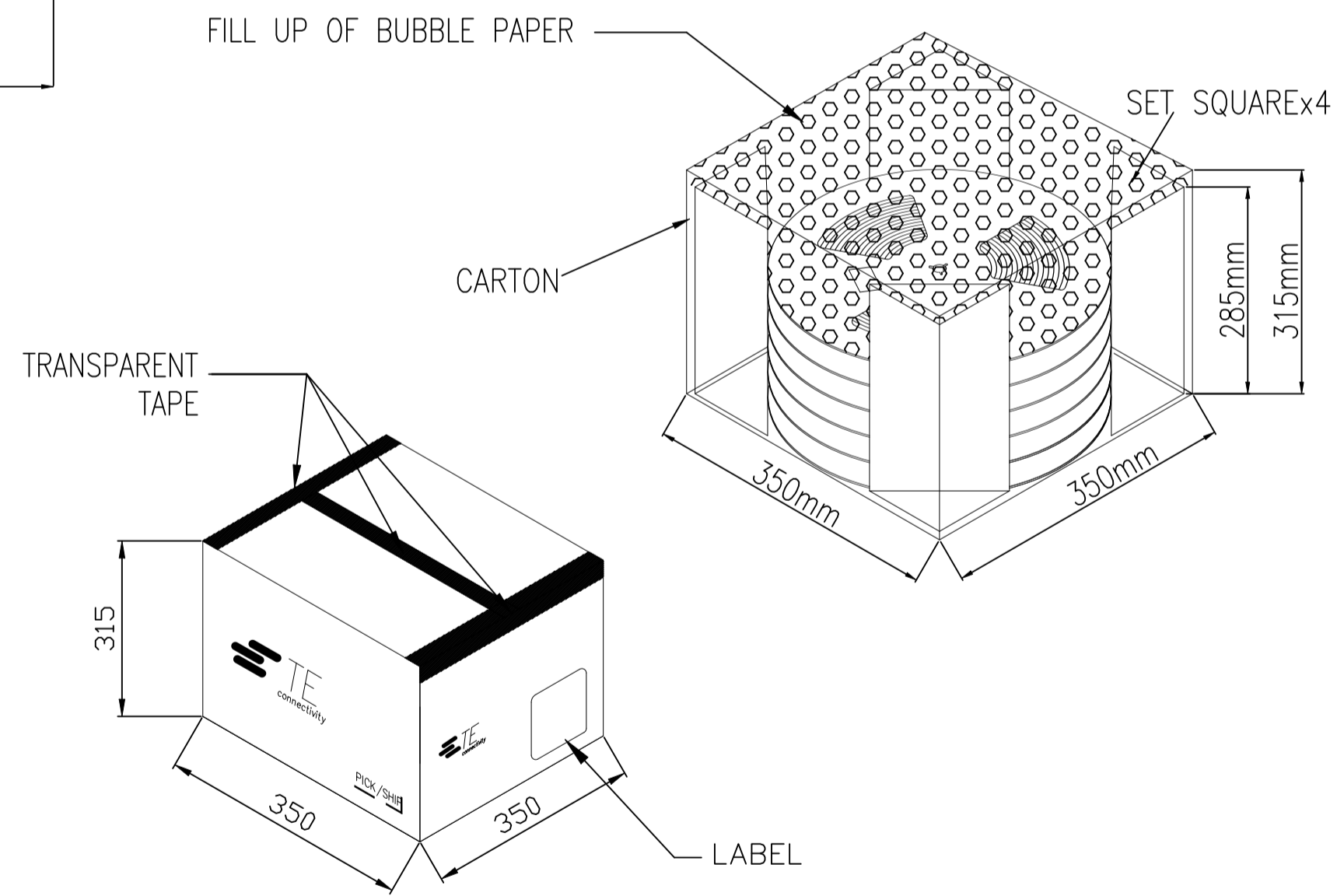
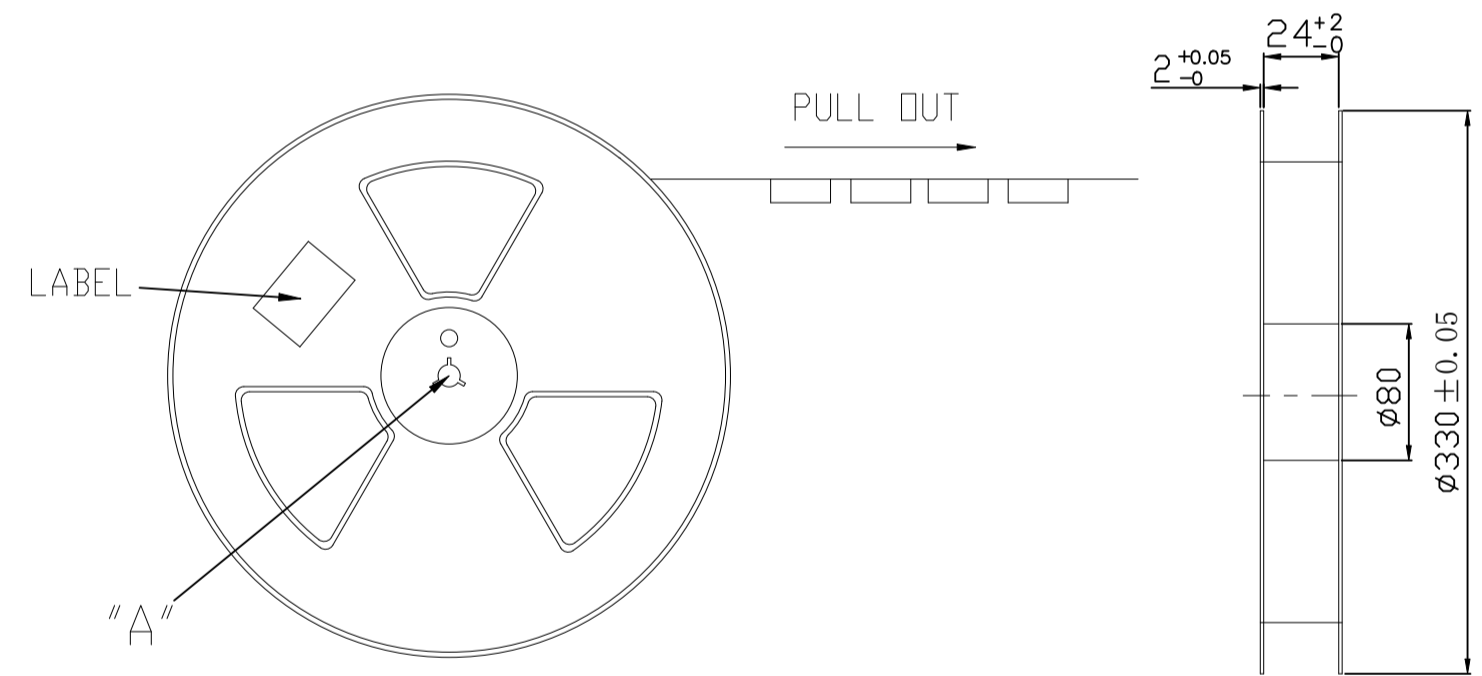
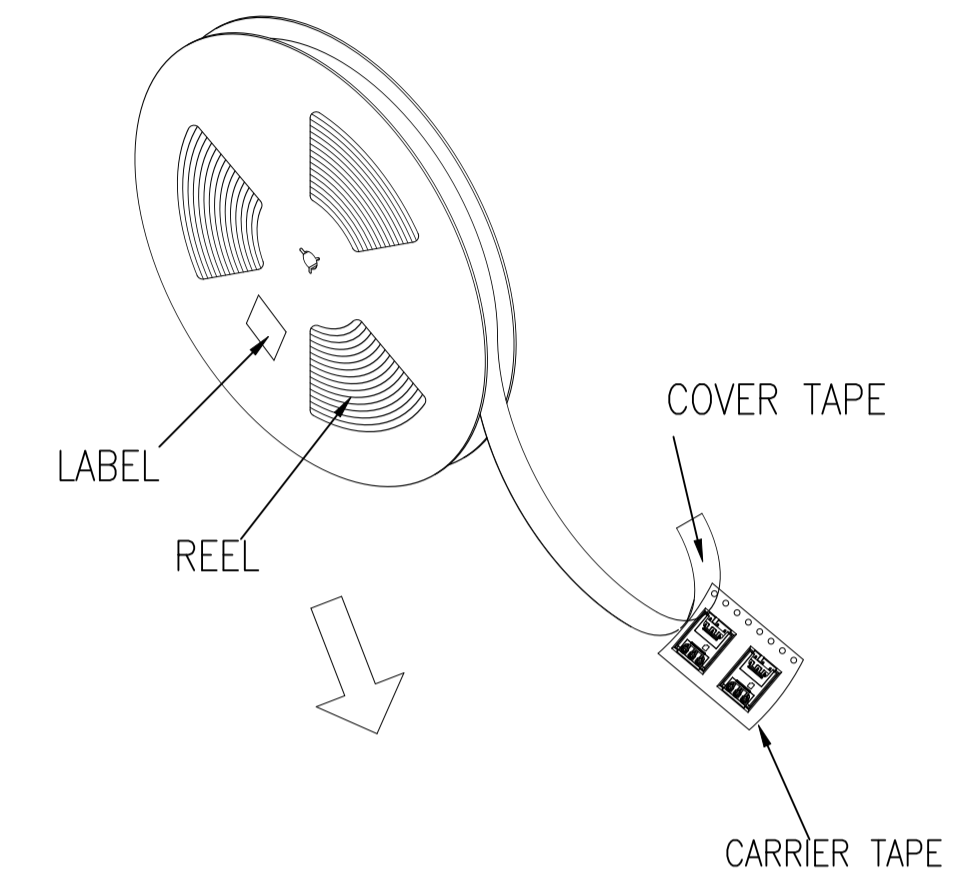
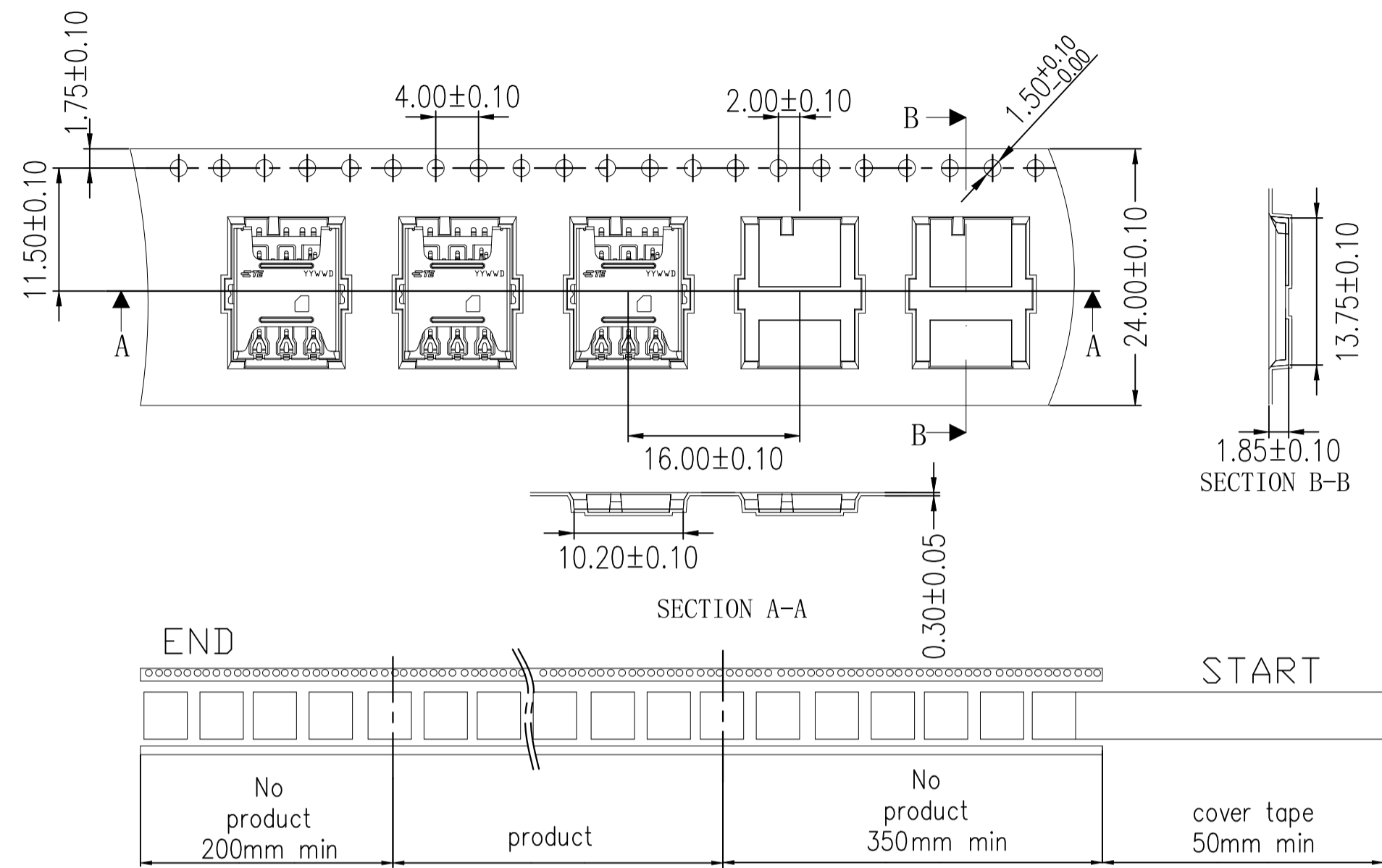
PCB LAYOUT(REFERENCE)
(VIEWED FROM CONNECTOR MOUNT SIDE)



SIM CARD PAD LAYOUT

THIS DRAWING IS A CONTROLLED DOCUMENT.		DWN	TE Connectivity	
DIMENSIONS: mm		CHK	NAME	
TOLERANCES UNLESS OTHERWISE SPECIFIED:		APVD	NANO SIM CARD CONNECTOR PUSH-PULL	
<ul style="list-style-type: none"> 0-PLC 1-PLC 2-PLC 3-PLC 4-PLC ANGLES FINISH 		PRODUCT SPEC	SIZE CAGE CODE DRAWING NO	
MATERIAL		APPLICATION SPEC	A2 00779 C-2452808	
		WEIGHT	RESTRICTED TO	
		CUSTOMER DRAWING	SCALE 10:1	SHEET 3 OF 4 REV C

REVISIONS					
P	LTR	DESCRIPTION	DATE	DWN	APVD
-	-	SEE SHEET 1	-	-	-



G.W.:0.97 KG
 Q'ty:2000pcs/Reel
 N.W.:2.1 KG
 G.W.:6.0KG
 Q'ty :10000 pcs per Carton (5 Reel set in order)
 Meas : 35.00L×35.00W×31.50H cm

THIS DRAWING IS A CONTROLLED DOCUMENT.		DWN	TE Connectivity	
DIMENSIONS: mm		CHK	NAME	
TOLERANCES UNLESS OTHERWISE SPECIFIED:		APVD	NANO SIM CARD CONNECTOR PUSH-PULL	
0 PLC ±		PRODUCT SPEC	SIZE	CAGE CODE
1 PLC ±		APPLICATION SPEC	A2	00779
2 PLC ±		WEIGHT	DRAWING NO	
3 PLC ±		CUSTOMER DRAWING	C-2452808	
4 PLC ±		SCALE	NTS	SHEET
ANGLES ±		RESTRICTED TO	4	OF 4
FINISH		REV	C	