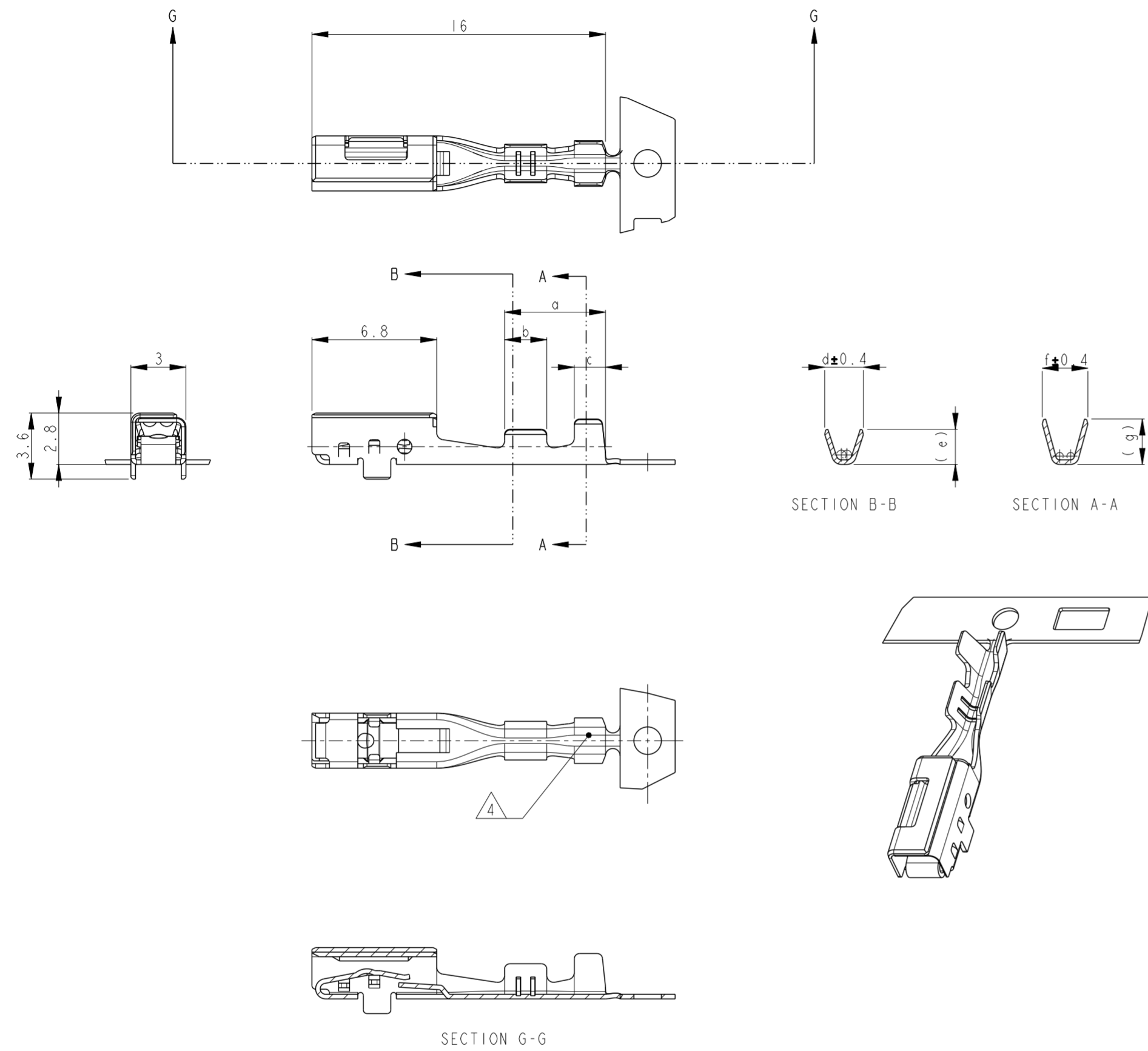
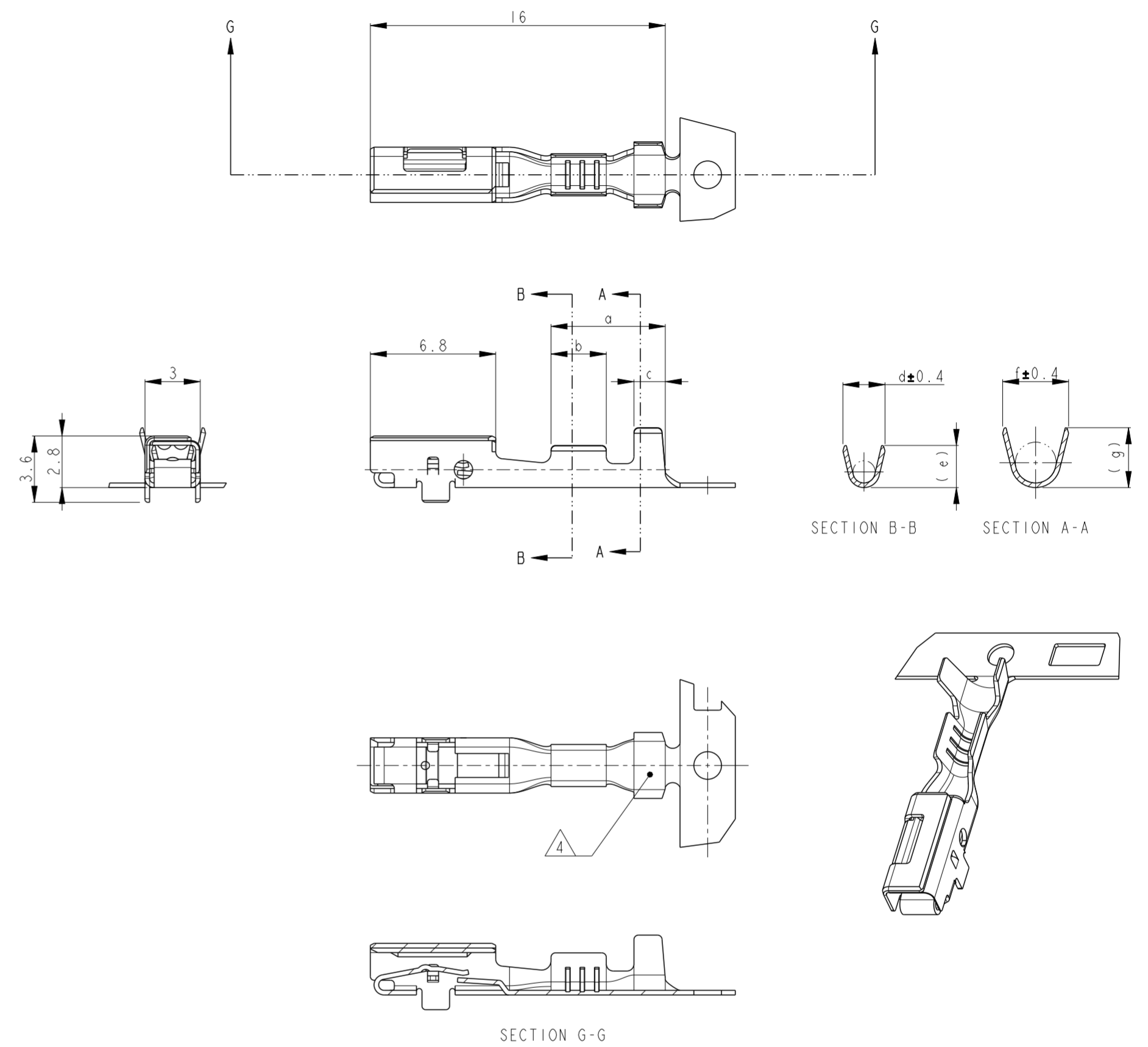


P/N : 2446060-1/5, 1897753-1, 1743654-1, 1743655-1, 1743656-1, 1897598-1



REVISIONS				
P	LTR	DESCRIPTION	DATE	APVD
A2		REVISED(ECR-24-196798)	08. JAN '24	JW KT

P/N : 2446060-2/3/4, 368083-1, 368084-1, 368085-1



<TERMINAL PART NUMBER INFORMATION>

SUPERSEDED BY	PART NUMBER	WIRE RANGE (mm <sup>2</sup> )	INSULATION Ø	MATERIAL	FINISH	a	b	c	d	(e)	f	(g)
SUPERSEDED BY 2446060-4	1743656-1	1.5~2.0	2.2~3.4	CuNiSi	PRE-TIN	6.7	3.5	1.7	3.25	3.4	3.92	4.12
SUPERSEDED BY 2446060-3	1743655-1	0.85~1.25	1.8~2.2			6.2	3.0	1.7	2.76	2.88	3.92	4.12
SUPERSEDED BY 2446060-2	1743654-1	0.3~0.5	1.4~1.7			6.2	3.0	1.7	2.05	2.05	3.0	3.2
SUPERSEDED BY 2446060-5	1897598-1	2.5	2.9~3.1			6.85	3.8	1.7	3.5	4.1	3.8	4.1
SUPERSEDED BY 2446060-4	368083-1	2.0	2.6~2.7			7.0	3.8	1.7	3.0	3.07	4.5	3.9
SUPERSEDED BY 2446060-3	368084-1	0.85~1.25	1.8~2.2			7.2	4.0	1.7	3.0	2.97	4.5	3.9
SUPERSEDED BY 2446060-2	368085-1	0.3~0.5	1.4~1.7			6.2	3.0	1.7	2.3	2.29	3.6	3.25
SUPERSEDED BY 2446060-1	1897753-1	0.22	1.0~1.05			5.5	2.3	1.7	2.1	1.92	2.5	2.48
-	2446060-5	2.5	2.9~3.1			6.85	3.8	1.7	3.5	4.1	3.8	4.1
-	2446060-4	2.0	2.6~2.7			7.0	3.8	1.7	3.0	3.07	4.5	3.9
-	2446060-3	(A2) 0.85~1.5	1.8~2.6	BRASS		7.2	4.0	1.7	3.2	2.97	4.5	3.9
-	2446060-2	(A2) 0.3~0.75	1.4~1.9			6.2	3.0	1.7	2.3	2.29	3.6	3.25
-	2446060-1	0.22	0.9~1.05			5.5	2.3	1.7	2.1	1.92	2.5	2.48
REMARK	PART NUMBER	WIRE RANGE (mm <sup>2</sup> )	INSULATION Ø			MATERIAL	FINISH	a	b	c	d	(e)

<NOTES>

1. APPLICATOR FEED : 12.5 mm
  2. GENERAL TOLERANCE : ± 0.3mm, ±3°
  3. THIS PRODUCT IS DESIGNED TO BE COMPATIBLE WITH UN-SEALED APPLICATION.
- △ TRADE MARK

THIS DRAWING IS A CONTROLLED DOCUMENT.		DWN JW SEO	TE Connectivity	
DIMENSIONS: mm		CHK DH PARK		
TOLERANCES UNLESS OTHERWISE SPECIFIED:		APVD KT JUNG	NAME 090K RECEPTACLE TERMINAL	
0 PLC ±		PRODUCT SPEC 108-160883	SIZE	
1 PLC ±0.1		APPLICATION SPEC 114-160527	CAGE CODE A200779	DRAWING NO C-2446060
2 PLC ±0.001		WEIGHT	RESTRICTED TO	
3 PLC ±0.0001		CUSTOMER DRAWING	SCALE 4:1 SHEET 1 OF 1 REV A2	
4 PLC ANGLES ±				
MATERIAL SEE TABLE				
FINISH SEE TABLE				