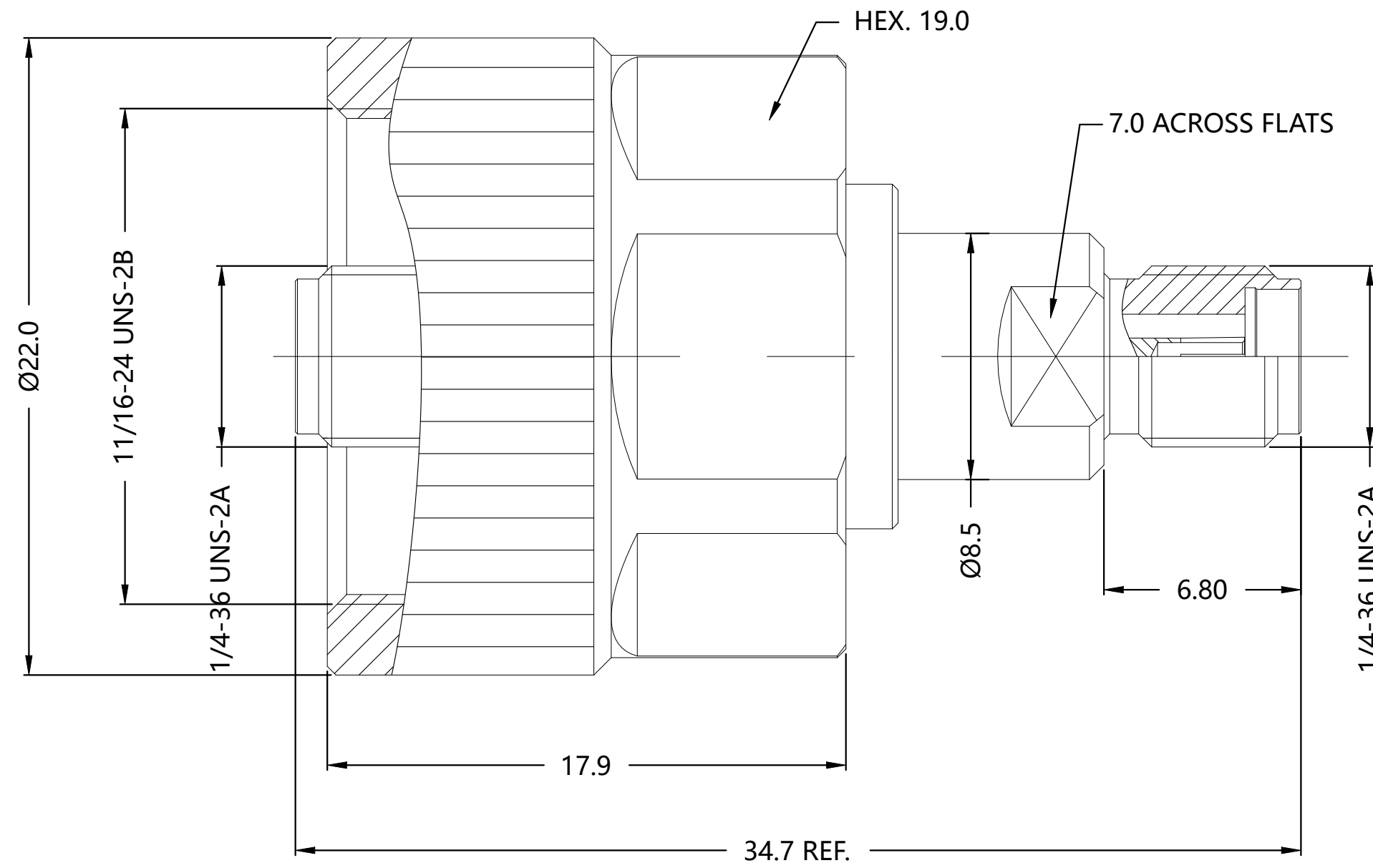


REVISIONS				
P	LTR	DESCRIPTION	DATE	APVD
A		ECN-23-235375;GTP	17OCT2023	TP WH



ELECTRICAL	MECHANICAL	ENVIRONMENTAL
Impedance (Ohm): <u>50</u> Frequency Range: <u>DC to 40GHz</u> Voltage Rating (Peak) @ Sea Level <u>250 V RMS</u> Insulation Resistance (MIN.) <u>5000 M ohms</u> Contact Resistance (mohms MAX) Center Contact <u>3.0</u> Outer Contact <u>2.0</u> Dielectric Withstand Voltage: <u>750 V RMS Max</u> Insertion Loss : <u><0.42 dB</u> Return Loss: <u>>21.5dB</u>	Interface Dimension <u>2.92mm female to 2.92mm female</u> Force to Engage and Disengage Engage: <u>N/A</u> Disengage: <u>N/A</u> Center Contact Captivation Axial (lbs) <u>6 MIN</u> Radial (In/Oz) <u>N/A</u> Recommend Coupling Torque <u>>12 in-lbs(NMD)</u> Coupling Nut Retention Force <u>>60 lbs</u> Cable Retention Axial (Lbs) <u>N/A</u> Mating cycles <u>500 cycles</u>	TEMPERATURE RANGE <u>-40 °C~+85 °C</u> ROHS <u>COMPLIANT</u>

1	CONTACT PIN	BERYLLIUM COPPER	PL.GOLD/COPPER
1	INSULATOR	PEI	N/A
1	BODY	STAINLESS STEEL	PASSIVATION
2441452-1	PART NUMBER	MATERIAL	PLATING

THIS DRAWING IS A CONTROLLED DOCUMENT.		DWN	ED	19JUN2023	
		CHK	ED	19JUN2023	
		APVD	WH	19JUN2023	
		PRODUCT SPEC	WH		
DIMENSIONS: mm		TOLERANCES UNLESS OTHERWISE SPECIFIED: 0 PLC ± - 1 PLC ± 0.3 2 PLC ± 0.2 3 PLC ± 0.1 4 PLC ± - ANGLES ± 5°		NAME 2.92 FEMALE TO 2.92mm FEMALE STR NMD ADAPTOR,50 OHM	
MATERIAL		FINISH		WEIGHT	SIZE A2
				SCALE	CAGE CODE 00779
				CUSTOMER DRAWING	DRAWING NO C=2441452
				SCALE	SHEET 1 of 1
				SCALE	REV A