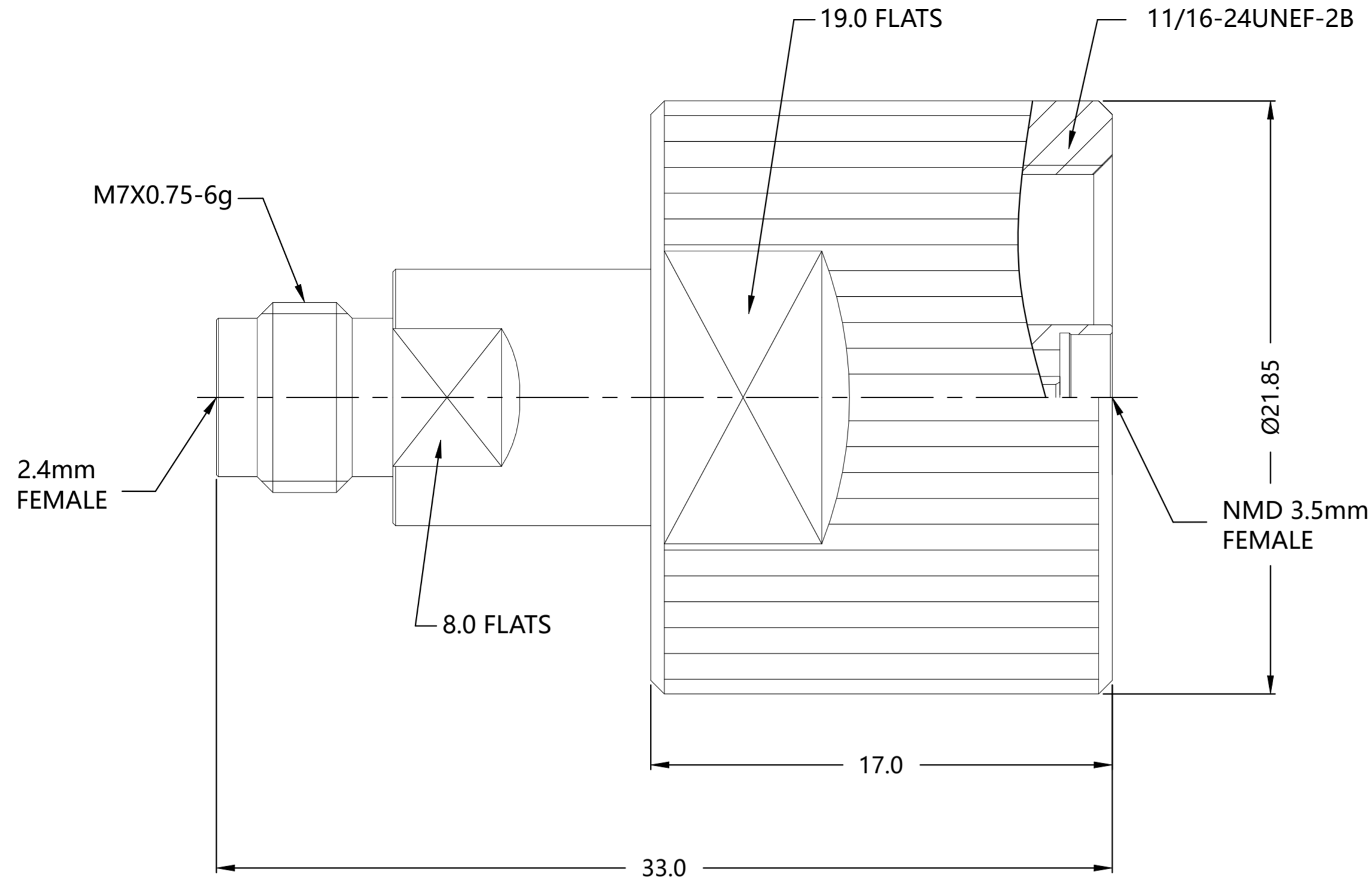


REVISIONS					
P	LTR	DESCRIPTION	DATE	DWN	APVD
A		ECN-23-235189;GTP	16OCT2023	TP	WH



ELECTRICAL	MECHANICAL	ENVIRONMENTAL
Impedance (Ohm): <u>50</u> Frequency Range: <u>DC to 33GHz</u> Voltage Rating (Peak) @ Sea Level <u>175 V RMS</u> Insulation Resistance (MIN.) <u>5000 M ohms</u> Contact Resistance (mohms MAX) Center Contact <u>2.2</u> Outer Contact <u>0.15</u> Dielectric Withstand Voltage: <u>500 V RMS Max</u> Insertion Loss : <u><0.05/√F(GHz) dB</u> VSWR: <u><1.30 @ DC ~ 33GHz</u>	Interface Dimension <u>2.4mm female to 3.5 female</u> Force to Engage and Disengage Engage: <u>N/A</u> Disengage: <u>N/A</u> Center Contact Captivation Axial (lbs) <u>6 MIN</u> Radial (In/Oz) <u>N/A</u> Cable Retention Axial (Lbs) <u>N/A</u> Mating cycles <u>500 cycles</u>	TEMPERATURE RANGE <u>-40 °C~+85 °C</u> ROHS <u>COMPLIANT</u>

QUANTITY PER ASSY	PARTS LIST
1	GOLD 50 u"/COPPER BERYLLIUM COPPER CONTACT PIN 3
1	PEI INSULATOR 2
1	PASSIVATION STAINLESS STEEL BODY 1
2081390-1	PLATING MATERIAL DESCRIPTION ITEM

THIS DRAWING IS A CONTROLLED DOCUMENT.

DWN	PENG ZHAI	11JUN2023
CHK	WENKE HE	11JUN2023
APVD	WENKE HE	11JUN2023
PRODUCT SPEC		
APPLICATION SPEC		

TE Connectivity

2.4mm FEMALE TO 3.5mm FEMALE STR NMD ADAPTOR,50 OHM DC-33GHz

SIZE	A2	CAGE CODE	00779	DRAWING NO	C=2441390	RESTRICTED TO	-
WEIGHT	0	SCALE	1:1	SHEET	1 OF 1	REV	A

CUSTOMER DRAWING

2441390