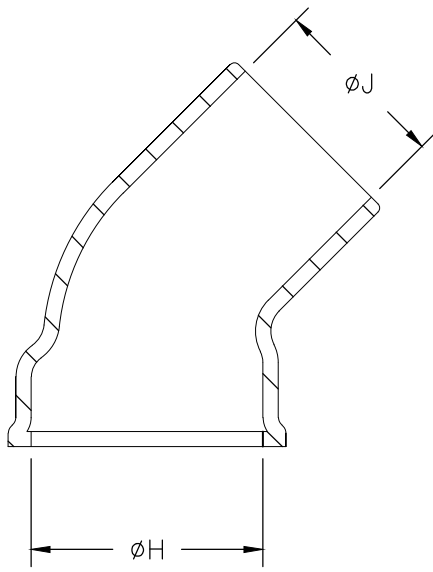
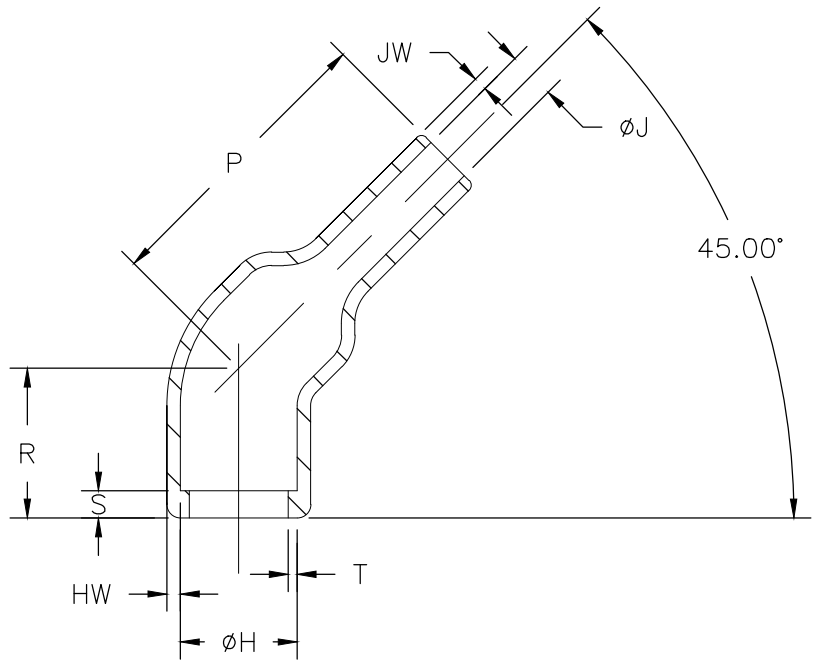


| REVISIONS | | | | |
|-----------|-----|------------------|-----------|------|
| P | LTR | DESCRIPTION | DATE | APVD |
| G | | PRODUCTION ISSUE | 29JAN2019 | MT |



AS SUPPLIED




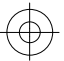
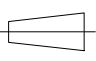
AFTER UNRESTRICTED RECOVERY

| PART DESCRIPTION | H | | J | | P ±10% b | R ±10% b | S ±10% b | T ±10% b | HW ±20% b | JW ±20% b |
|------------------|---------------|---------------|---------------|--------------|----------------|----------------|----------------|----------------|-----------------|-----------------|
| | MIN | MAX | MIN | MAX | | | | | | |
| | a | b | a | b | | | | | | |
| 243D012 | 19.0 [.75] | 14.2 [.56] | 8.0 [.31] | 4.1 [.16] | 24.0 [.94] | 10.0 [.39] | 3.0 [.12] | 1.0 [.04] | 2.3 [.09] | 1.9 [.07] |
| 243D022 | 24.0 [.94] | 17.8 [.70] | 12.0 [.47] | 5.6 [.22] | 27.0 [1.06] | 10.0 [.39] | 3.0 [.12] | 1.0 [.04] | 2.8 [.11] | 1.9 [.07] |

THIS DRAWING IS UNPUBLISHED.

ALL RIGHTS RESERVED.

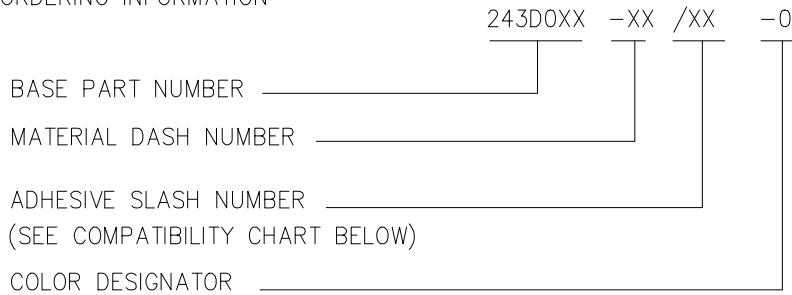
COPYRIGHT - TE Connectivity Ltd.

| | | | |
|--|---|---|--------------------|
| DIMENSIONS: mm [INCHES] | DWN PRAVEEN N T 29JAN2019 | MATERIAL SEE SHEET 2 | FINISH - |
| | CHK N NAGAR 29JAN2019 |  TE Connectivity Ltd. | |
| TOLERANCES UNLESS OTHERWISE SPECIFIED: | APVD M TAYLOR 29JAN2019 | | |
| | PRODUCT SPEC - | SIZE A4 | CAGE CODE 00779 |
| 0 PLC ± - | APPLICATION SPEC - | RESTRICTED TO - | |
| 1 PLC ± 0.50[.10] | WEIGHT | SCALE DNS | |
| 2 PLC ± 0.25[.01] |   | SHEET 1 OF 2 | |
| 3 PLC ± 0.13[.005] | | REV G | |
| 4 PLC ± - | CUSTOMER DRAWING | | |
| ANGLES ± 1° | | | |

| REVISIONS | | | | | |
|-----------|-----|-------------|------|-----|------|
| P | LTR | DESCRIPTION | DATE | DWN | APVD |
| | - | SEE SHEET 1 | - | - | - |

| COMPATABILITY CHART | | | | |
|---------------------|--------------------------------------|---------|-------------------|-------------------|
| MATERIAL DASH NO. | MATERIAL DESCRIPTION | RT SPEC | COATING SLASH NO. | COATING S NO. |
| -3 | Polyolefin, Semi-rigid | RT-301 | /42;/86;/180 | S1017;S1048;S1030 |
| -4 | Polyolefin, Flexible | RT-1304 | /42;/86;/180 | S1017;S1048;S1030 |
| -25 | Elastomer, Fluid Resistant | RW-2070 | /42;/86;/225 | S1017;S1048;S1206 |
| -100 | Polyolefin, Semi-flexible ZEROHAL | RW-2082 | /86;/180 | S1048;S1030 |

ORDERING INFORMATION



NOTES

- DIMENSIONS APPEARING IN TABLE ARE AS FOLLOWS:
 - a - AS SUPPLIED
 - b - AFTER UNRESTRICTED RECOVERY
- COATING IS OPTIONAL. AS SUPPLIED DIMENSIONS APPEARING IN TABLE ARE FOR UNCOATED PARTS WHEN COATING IS ADDED, ENTRY DIAMETERS WILL BE REDUCED BY 1.5[.06] MAX.
- /225 IS NOT AVAILABLE ON 243D012, ORDER 243D012-25-G04/225-0

RELEASED FOR PUBLICATION

ALL RIGHTS RESERVED.

© COPYRIGHT - TE Connectivity Ltd.

THIS DRAWING IS UNPUBLISHED.

| | | | |
|--|---------------------------------|------------------------------|--------------------|
| DIMENSIONS: mm [INCHES] | DWN PRAVEEN N T 29JAN2019 | MATERIAL - | FINISH - |
| | CHK N NAGAR 29JAN2019 | TE Connectivity Ltd. | |
| TOLERANCES UNLESS OTHERWISE SPECIFIED: | APVD M TAYLOR 29JAN2019 | | |
| 0 PLC ± - | PRODUCT SPEC - | SIZE A4 | CAGE CODE 00779 |
| 1 PLC ± 0.50[.10] | APPLICATION SPEC - | DRAWING NO G-243D0XX-XX-0 | RESTRICTED TO - |
| 2 PLC ± 0.25[.01] | | WEIGHT | CUSTOMER DRAWING |
| 3 PLC ± 0.13[.005] | | SCALE DNS | SHEET 2 OF 2 |
| 4 PLC ± - | | REV G | |
| ANGLES ± 1° | | | |

